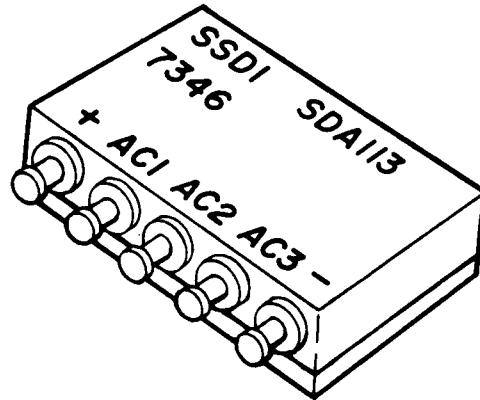


SSDI Bridge Rectifier Assembly

X00109

THREE-PHASE 3 AMP SDA 113 SERIES



- Average Output Current 3 Amps
- PIV 50 to 1000 Volts
- All Welded Interconnects
- Hermetically Sealed Diode Cells
- Aluminum Mounting Plate
- Stainless Steel Thread Inserts

SSDI introduces a new and complete line of three-phase, Bridge Rectifier Assemblies, designed with aluminum back plates with stainless steel thread inserts to provide maximum thermal conductivity and simple installation. This series features SSDI's exclusive new glass passivated rectifier cells for high reliability and mechanical strength. Fast recovery bridges are available on special order.

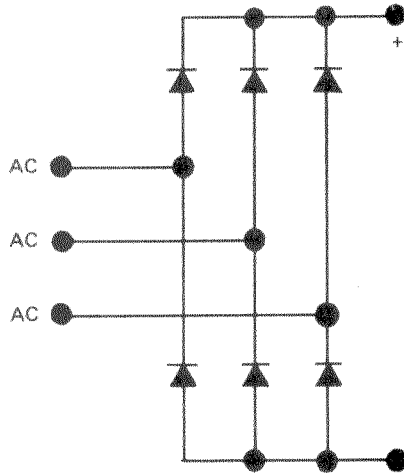
Consult your factory for engineering assistance.

Type	PIV Per Leg	Sine Wave RMS Input Voltage Max	Average DC Output Amps TC = (case temp.)			Average DC Output Amps TA = Ambient Temp. (No heat Sink)			Peak 1 Cycle Forward Surge	Peak Recurrent Forward	VF Max Per Leg @ 2 ADC	Reverse Current I _R Max. Per Leg @ PIV	
			55°C	100°C	125°C	25°C	55°C	100°C				25°C	100°C
	VOLTS	VOLTS	AMPS	AMPS	AMPS	AMPS	AMPS	AMPS	AMPS	AMPS	VOLTS	UA	UA
SDA 113A	50	35	3	2	1.5	1.5	1.05	.7	50	10	1.1	5	50
SDA 113B	100	70	3	2	1.5	1.5	1.05	.7	50	10	1.1	5	50
SDA 113C	200	140	3	2	1.5	1.5	1.05	.7	50	10	1.1	5	50
SDA 113D	400	280	3	2	1.5	1.5	1.05	.7	50	10	1.1	5	50
SDA 113E	600	420	3	2	1.5	1.5	1.05	.7	50	10	1.1	5	50
SDA 113F	800	560	3	2	1.5	1.5	1.05	.7	50	10	1.1	5	50
SDA 113G	1000	700	3	2	1.5	1.5	1.05	.7	50	10	1.1	5	50

SSDI SOLID STATE DEVICES, INC.

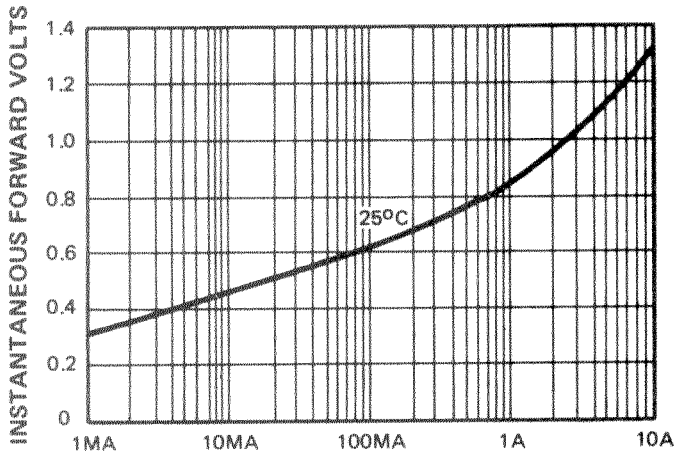
14830 Valley View Avenue · La Mirada, California 90638

(213) 921 - 9660 · TWX 910 - 583 - 4807

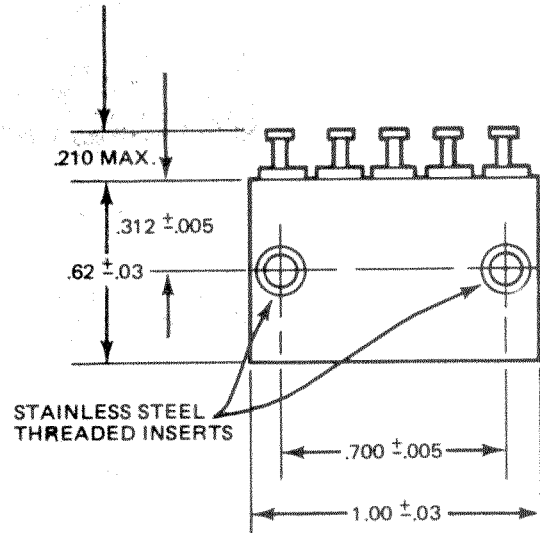
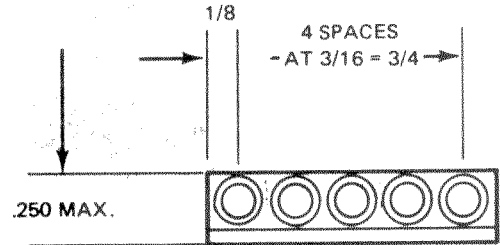


SCHMATIC DIAGRAM

TYPICAL FORWARD CHARACTERISTICS



INSTANTANEOUS FORWARD AMPS



FORM 307