

## Schottky Barrier Rectifier Diode

## Features

- Fast Switching
- Low forward voltage drop,  $V_F$
- Guard ring protection
- High surge capacity
- High efficiency, low power loss

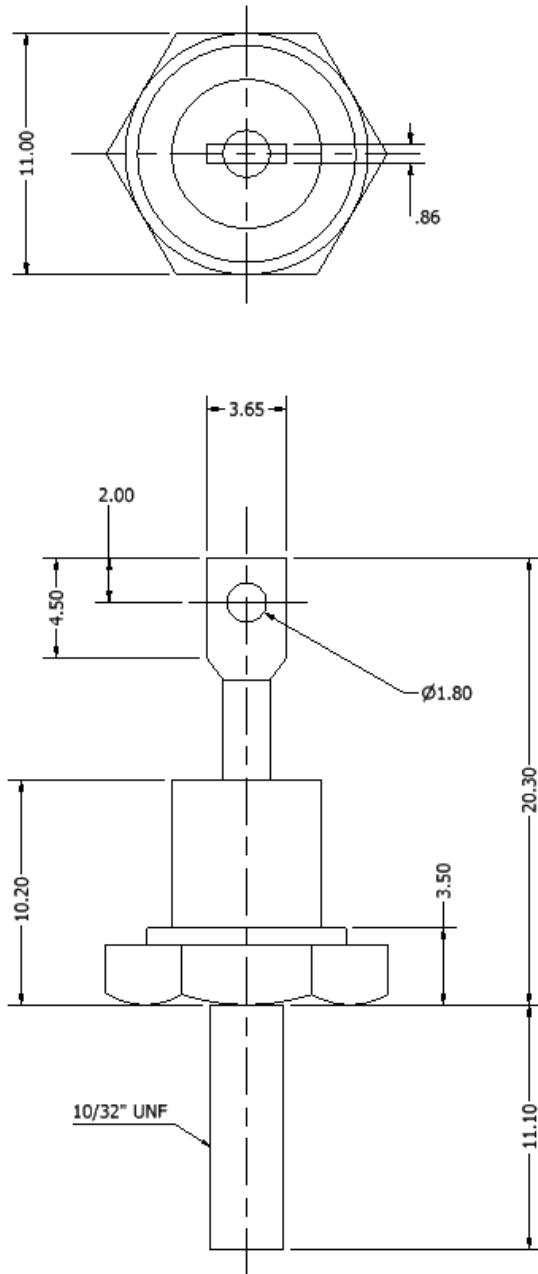
| Electrical Ratings ( $T_C = 25^\circ\text{C}$ , unless otherwise noted)                                   |             |        |       |
|---|-------------|--------|-------|
| Parameter   | Symbol      | Values | Units |
| Repetitive peak reverse voltage   | $V_{RRM}$   | 40     | V     |
| DC blocking voltage   | $V_{DC}$    |        |       |
| Non-repetitive peak reverse voltage   | $V_{RSM}$   | 48     | V     |
| Average rectified forward current ( $T_C = 85^\circ\text{C}$ )  | $I_{F(AV)}$ | 25     | A     |
| Non-repetitive peak surge current (surge applied at rated load conditions, halfwave, single phase, 60 Hz) | $I_{FSM}$   | 800    | A     |



DO-203AA (DO-4)

| Maximum Ratings ( $T_C = 25^\circ\text{C}$ , unless otherwise noted) |                           |        |        |       |
|--|---------------------------|--------|--------|-------|
| Parameter  | Test Conditions           | Symbol | Values | Units |
| Maximum instantaneous forward voltage                                | $I_F = 10\text{ A}$       | $V_F$  | 0.38   | V     |
|  | $I_F = 25\text{ A}$       |        | 0.48   | V     |
|  | $I_F = 78.5\text{ A}$     |        | 0.82   | V     |
| Maximum instantaneous reverse current at rated DC voltage            | $T_C = 25^\circ\text{C}$  | $I_R$  | 20     | mA    |
|  | $T_C = 100^\circ\text{C}$ |        | 150    | mA    |

| Thermal & Mechanical Specifications ( $T_E = 25^\circ\text{C}$ , unless otherwise noted) |              |             |                    |
|--|--------------|-------------|--------------------|
| Parameters   | Symbol       | Values      | Units              |
| Maximum thermal resistance, junction to case   | $R_{th(jc)}$ | 1.75        | $^\circ\text{C/W}$ |
| Operating junction temperature range   | $T_J$        | -65 to +125 | $^\circ\text{C}$   |
| Storage temperature  | $T_{stg}$    | -65 to +125 | $^\circ\text{C}$   |
| Mounting torque (non-lubricated threads)   |              | 15          | in-lb              |
| Approximate allowable weight   | W            | 45.6        | g                  |



ALL DIMENSIONS IN MM