

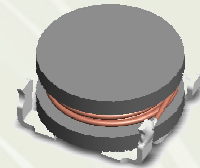
# SMD Power Inductor CDH20D10



 **sumida**

## ■ Features

- ◎ Small size inductor: 2.2mm Max. square and 1.1mm Max height.
- ◎ Operating temperature range: -40°C~+105°C.
- ◎ Magnetically unshielded.
- ◎ RoHS Compliance.

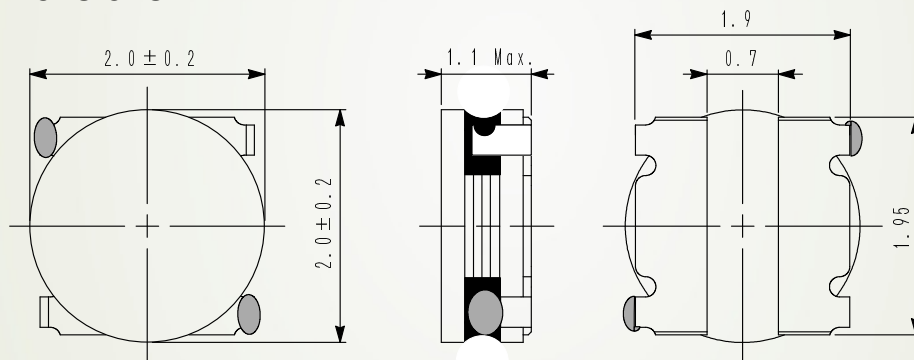


## ■ Applications

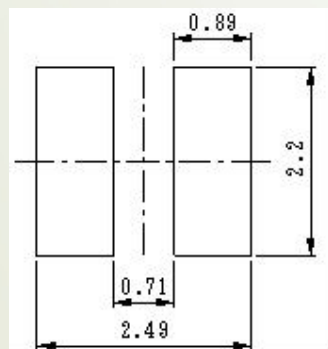
Low profile, surface mount inductor for WLAN, PDA, Mobile phone, DSC, and other portable devices.

## ■ Shapes and Dimensions/Recommended Land Patterns(mm)

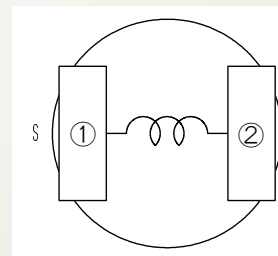
### ◆ Dimensions



### ◆ Land pattern



### ◆ Schematics (Bottom)



# SMD Power Inductor CDH20D10



## ■Electrical Characteristics specification.

Part Name	Stamp	Inductance	D.C.R.( $\Omega$ )	Saturation	Temperature
		( $\mu$ H)	Max.(Typ.)	Current	Rise Current
		100kHz	(at 20°C)	(A)※1	(A)※2
CDH20D10NP-R50MC	A	0.5±20%	83m(66m)	2.01(2.52)	1.65(1.84)
CDH20D10NP-R68MC	B	0.68±20%	94m(75m)	1.75(2.19)	1.47(1.68)
CDH20D10NP-R80MC	C	0.8±20%	104m(83m)	1.63(2.04)	1.43(1.62)
CDH20D10NP-1R0MC	D	1.0±20%	0.139(0.111)	1.45(1.82)	1.18(1.34)
CDH20D10NP-1R2MC	E	1.2±20%	0.158(0.126)	1.44(1.80)	1.16(1.32)
CDH20D10NP-1R5MC	F	1.5±20%	0.173(0.138)	1.27(1.59)	1.08(1.22)
CDH20D10NP-1R8MC	G	1.8±20%	0.235(0.188)	1.08(1.36)	0.90(1.02)
CDH20D10NP-2R0MC	J	2.0±20%	0.252(0.201)	1.04(1.30)	0.88(1.01)
CDH20D10NP-2R2MC	K	2.2±20%	0.276(0.221)	1.00(1.26)	0.87(0.98)
CDH20D10NP-2R7MC	L	2.7±20%	0.370(0.295)	0.89(1.12)	0.74(0.82)
CDH20D10NP-3R3MC	M	3.3±20%	0.425(0.339)	0.81(1.02)	0.70(0.79)
CDH20D10NP-3R9MC	P	3.9±20%	0.463(0.370)	0.72(0.92)	0.58(0.65)
CDH20D10NP-4R7MC	R	4.7±20%	0.53(0.42)	0.70(0.87)	0.53(0.61)
CDH20D10NP-5R6MC	T	5.6±20%	0.60(0.48)	0.45(0.56)	0.54(0.62)
CDH20D10NP-6R8MC	Q	6.8±20%	0.74(0.59)	0.42(0.53)	0.48(0.54)

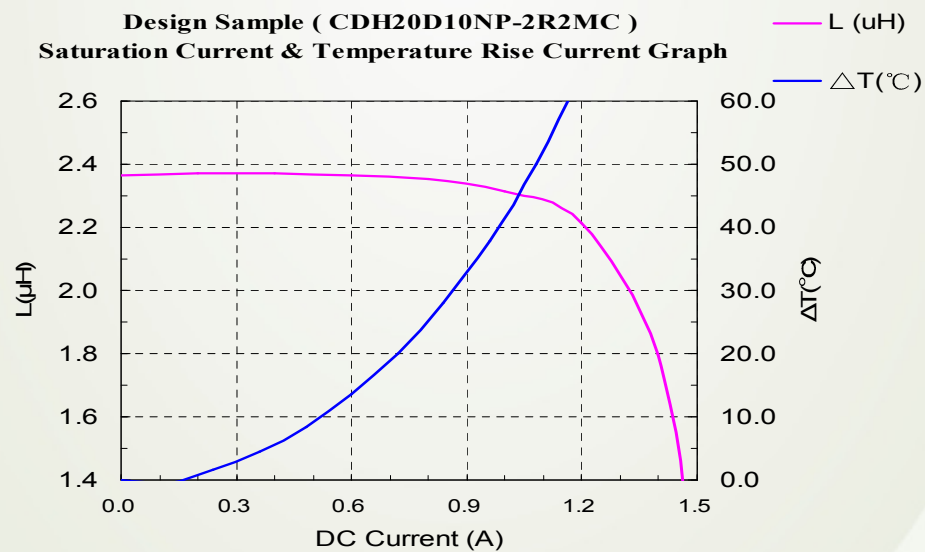
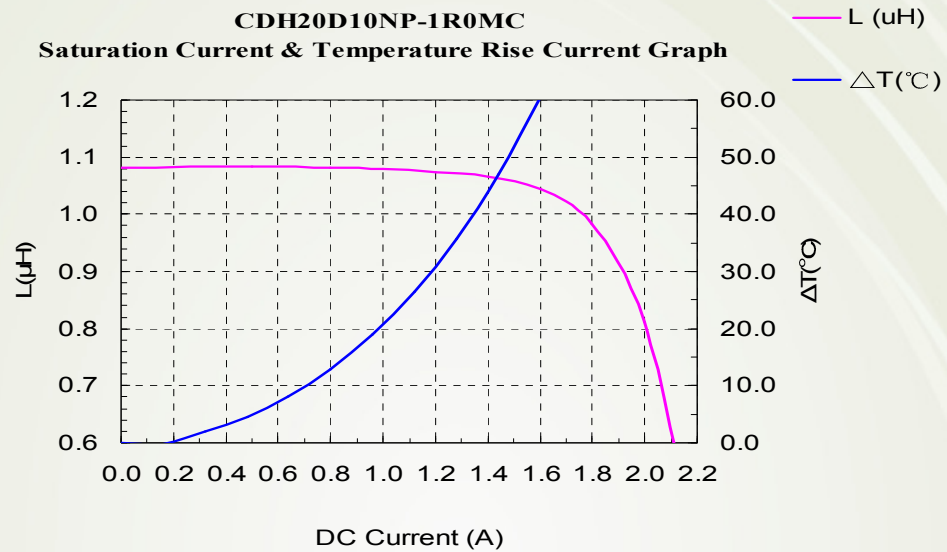
※1 Saturation Current: The DC current at which the inductance decreases to 90% of its nominal value.

※2 Temperature Rise Current: The DC current at which the temperature rise is  $\Delta t=40^{\circ}\text{C}$  ( $T_a=20^{\circ}\text{C}$ ).

# SMD Power Inductor CDH20D10



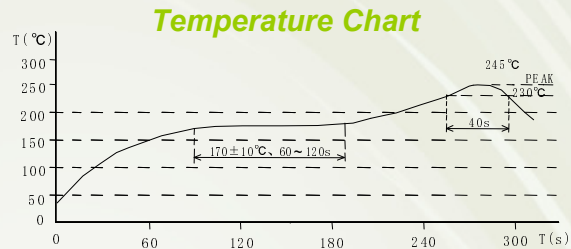
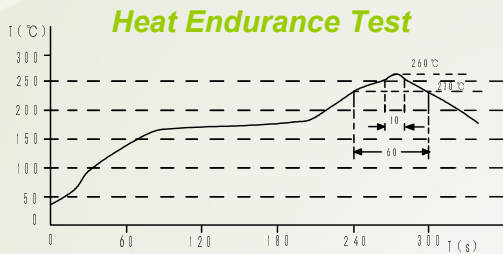
## ■ Characteristics Curve



# SMD Power Inductor CDH20D10

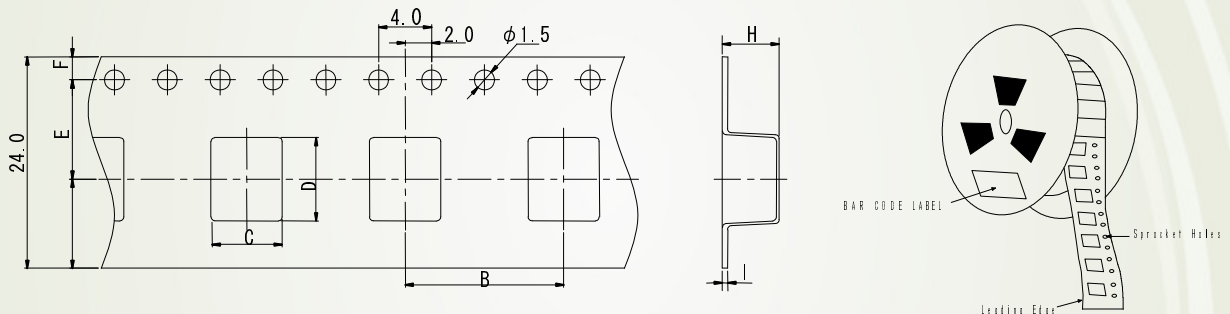


## Recommended Reflow Condition.



Recommend reflow condition: refer to S-074-1518

## Packaging with Embossed tape and reel.



Packing specification refer to S-074-5395

### For More Information

#### Hong Kong

Tel.+852-2880-6688  
FAX.+852-2565-9600

#### Tokyo

Tel.+81-3-5202-7112  
FAX.+81-3-5202-7105

#### Chicago

Tel.+1-847-545-6700  
FAX.+1-847-545-6720

#### Shanghai

Tel.+86-021-58363299  
FAX.+86-021-58363266

#### Seoul

Tel.+82-2-6237-0777  
FAX.+82-2-6237-0778

#### California

Tel.+1-408-321-9660  
FAX.+1-408-321-9308

#### Shenzhen

Tel.+86-755-82910228  
FAX.+86-755-82910338

#### Singapore

Tel.+65-6296-3388  
FAX.+65-6296-3390

#### Taipei

Tel.+886-2-27065228  
FAX.+886-2-27065229

#### Malaysia

Tel.+60-3-8733-0900  
FAX.+60-3-8737-7384

