

PART NUMBER	ITEM NUMBER	M3 THREADED INSERT
SDA-71624-2000	051-25-1040	YES
SDA-71624-2004	71624-2004	NO

M		K		REVISIONS		DIMENSIONS SHOWN (METRIC) INCH		TITLE	
L		I		L.T.R.		UNLESS OTHERWISE SPECIFIED TOLERANCES ANGULAR ± 1/2°		REVISE ONLY ON CAD SYSTEM	
M		J		L		3 PLACE ± .010 ---		.050° PITCH LFH 160 CKT. RIGHT ANGLE I/O MALE SALES ASSEMBLY	
L		I		L		2 PLACE ± .005 ± .005		MOLEX INCORPORATED	
L		I		L		1 PLACE ± .005 ± .005		SEE CHART	
L		I		L		DRAFT WHERE APPLICABLE MUST REMAIN WITHIN DIMENSIONS		PART NO. SDA-71624-2000	
L		I		L		DRG. BY CAB		DATE 9/11/91	
L		I		L		DRG. BY		SHEET NO. 1 OF 2	
L		I		L		SCALE 4:1		REV. SIZE	
L		I		L		APP'D. BY		CD C	

13 12 11 10 9 8 7 6 5 4 3 2 1

NOTES:
1) MATERIALS:

HOUSING: GLASS FILLED LCP (LIQUID CRYSTAL POLYMER),
UL 94V-0, COLOR: BLACK.
TAIL ALIGNER: GLASS FILLED, LCP (LIQUID CRYSTAL POLYMER)
UL 94V-0, COLOR: BLACK.
MOLDED STICK: GLASS FILLED LCP (LIQUID CRYSTAL POLYMER)
UL 94V-0, COLOR: BLACK.
MALE CONTACT: PHOS. BRONZE .012±.0005 THICK.
OUTER SHELL: LOW CARBON STEEL.
THREADED INSERT: BRASS.

2) PLATING :

TERMINAL: .000030/(0.00076) MINIMUM GOLD IN SELECTIVE AREA;
.000100/(0.00254) TIN IN SELECTIVE AREA;
OVER NICKEL UNDERPLATE OVERALL.

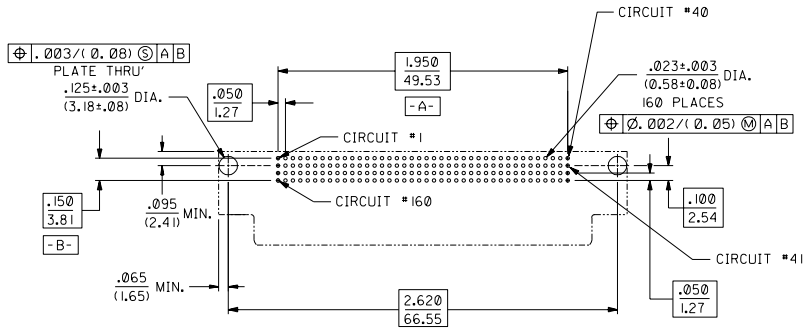
OUTER SHELL: .000150/(0.00381) MINIMUM TIN OVER
.000050/(0.00127) MINIMUM NICKEL OVER
COPPER FLASH (OPTIONAL).

3) THIS PART CONFORMS TO MOLEX PRODUCT SPECIFICATION PS-71624.

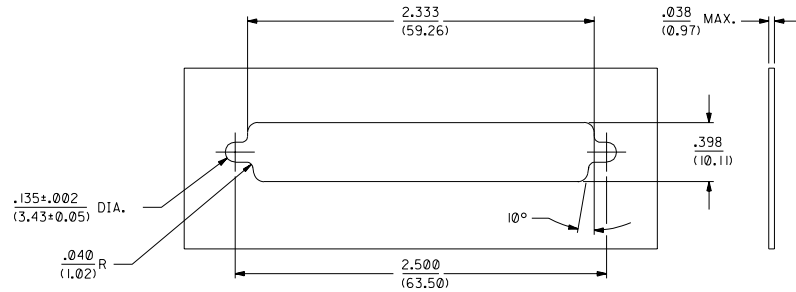
4) PACKAGING SPECIFICATION PK-70873-0224 APPLIES.

NOTE FOR LEAD FREE CONVERSION:

THE PRIMARY SHIPPING CARTON WILL BE
LABELED *COMPLIANT TO RoHS DIRECTIVE
2002/95/EC AND ELV ANNEX II OF
DIRECTIVE 2000/53/EC*. CARTONS
WITHOUT THIS LABEL MAY CONTAIN
PRODUCT WITH LEAD.

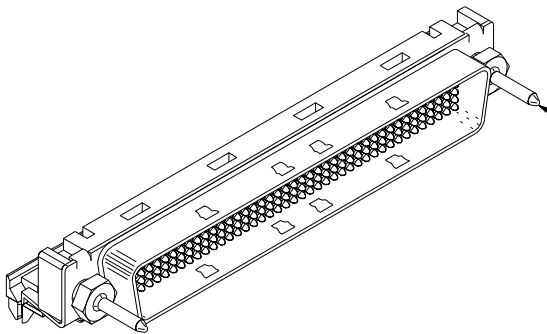


RECOMMENDED PC BOARD LAYOUT
COMPONENT SIDE



PANEL CUT-OUT DIMENSIONS
ALL TOLERANCES ±.003/(0.08)
UNLESS OTHERWISE STATED.

FOR OPTIONAL HARDWARE DETAILS
SEE SDA-71628-****



M		SEE SHEET I	DIMENSIONS SHOWN METRIC/INCH		REVISIONS	
K		SEE SHEET I	UNLESS OTHERWISE SPECIFIED		TOLERANCES ANGULAR ± 1/2°	
J		SEE SHEET I	DRAFT WHERE APPLICABLE MUST		REMAIN WITHIN DIMENSIONS	
LTR.		REVISIONS	BY CAB		SCALE 2:1	
			BY BIXLER		DATE 9/12/91	
			APP'D. CAB		FILE NAME S7162422	
			BY		MOLEX INC. AND SHOULD NOT BE USED WITHOUT WRITTEN PERMISSION.	

13 12 11 10 9 8 7 6 5 4 3 2 1