

# 64 Mbit SPI Serial Dual I/O Flash

## SST25VF064C



Data Sheet

### FEATURES:

- **Single Voltage Read and Write Operations**
  - 2.7-3.6V
- **Serial Interface Architecture**
  - SPI Compatible: Mode 0 and Mode 3
- **Dual Input/Output Support**
  - Fast-Read Dual-Output Instruction
  - Fast-Read Dual I/O Instruction
- **High Speed Clock Frequency**
  - 80 MHz for High-Speed Read (0BH)
  - 75 MHz for Fast-Read Dual-Output (3BH)
  - 50 MHz for Fast-Read Dual I/O (BBH)
  - 33 MHz for Read Instruction (03H)
- **Superior Reliability**
  - Endurance: 100,000 Cycles (typical)
  - Greater than 100 years Data Retention
- **Low Power Consumption**
  - Active Read Current: 12 mA (typical @ 80 MHz) for single-bit read)
  - Active Read Current: 14 mA (typical @ 75MHz) for dual-bit read)
  - Standby Current: 5  $\mu$ A (typical)
- **Flexible Erase Capability**
  - Uniform 4 KByte sectors
  - Uniform 32 KByte overlay blocks
  - Uniform 64 KByte overlay blocks
- **Fast Erase**
  - Chip-Erase Time: 35 ms (typical)
  - Sector-/Block-Erase Time: 18 ms (typical)
- **Page-Program**
  - 256 Bytes per page
  - Single and Dual Input support
  - Fast Page-Program time in 1.5 ms (typical)
- **End-of-Write Detection**
  - Software polling the BUSY bit in Status Register
- **Write Protection (WP#)**
  - Enables/Disables the Lock-Down function of the status register
- **Software Write Protection**
  - Write protection through Block-Protection bits in status register
- **Security ID**
  - One-Time Programmable (OTP) 256 bit, Secure ID
    - 64 bit Unique, Factory Pre-Programmed identifier
    - 192 bit User-Programmable
- **Temperature Range**
  - Commercial = 0°C to +70°C
  - Industrial: -40°C to +85°C
- **Packages Available**
  - 16-lead SOIC (300 mils)
  - 8-contact WSON (6mm x 8mm)
  - 8-lead SOIC (200 mils)
- **All devices are RoHS compliant**

### PRODUCT DESCRIPTION

The SST 25 series Serial Flash family features a four-wire, SPI-compatible interface that allows for a low pin-count package which occupies less board space and ultimately lowers total system costs. SST25VF064C SPI serial flash memory is manufactured with SST proprietary, high-performance CMOS SuperFlash technology. The split-gate cell design and thick-oxide tunneling injector attain better reliability and manufacturability compared with alternate approaches.

The SST25VF064C significantly improves performance and reliability, while lowering power consumption. The device writes (Program or Erase) with a single power sup-

ply of 2.7-3.6V. The total energy consumed is a function of the applied voltage, current, and time of application. Since for any given voltage range, the SuperFlash technology uses less current to program and has a shorter erase time, the total energy consumed during any Erase or Program operation is less than alternative flash memory technologies.

The SST25VF064C device is offered in 16-lead SOIC (300 mils), 8-contact WSON (6mm x 8mm), and 8-lead SOIC (200 mils) packages. See Figure 2 for pin assignments.

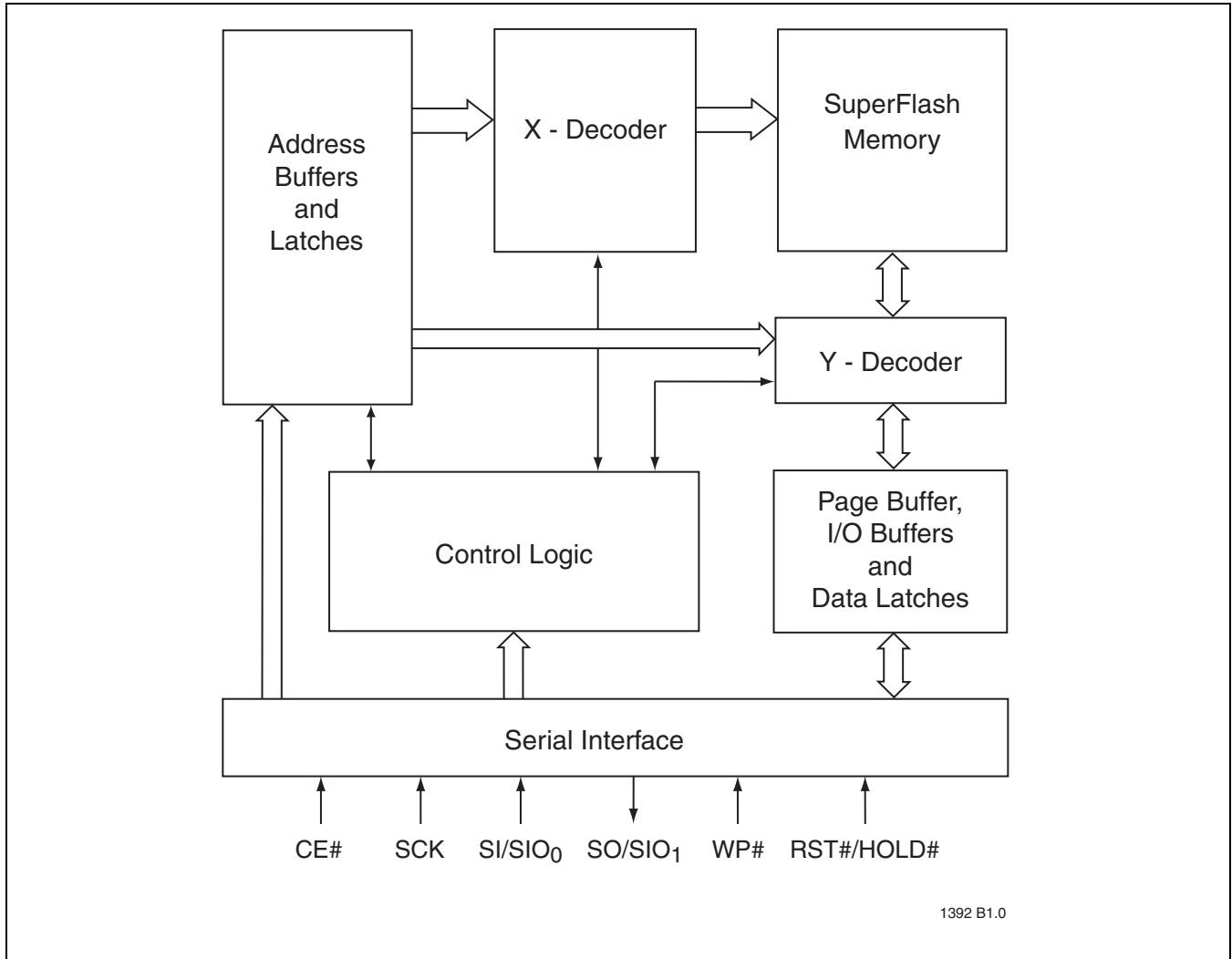
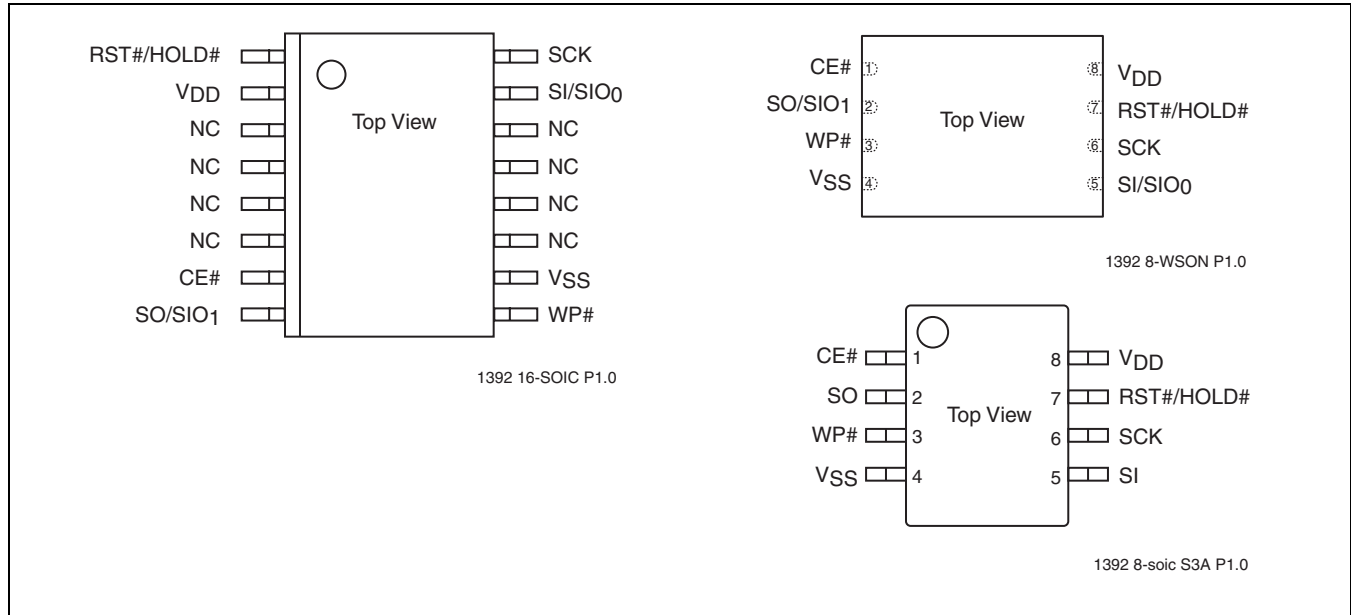


FIGURE 1: Functional Block Diagram

**PIN DESCRIPTION**



**FIGURE 2: Pin Assignments for 16-Lead SOIC, 8-Contact WSON, and 8-Lead SOIC**

**TABLE 1: Pin Description**

Symbol	Pin Name	Functions
SCK	Serial Clock	To provide the timing of the serial interface. Commands, addresses, or input data are latched on the rising edge of the clock input, while output data is shifted out on the falling edge of the clock input.
SI	Serial Data Input	To transfer commands, addresses, or data serially into the device. Inputs are latched on the rising edge of the serial clock.
SO	Serial Data Output	To transfer data serially out of the device. Data is shifted out on the falling edge of the serial clock.
SIO[0:1]	Serial Data Input/Output for Dual I/O Mode	To transfer commands, addresses, or data serially into the device, or data out of the device. Inputs are latched on the rising edge of the serial clock. Data is shifted out on the falling edge of the serial clock. These pins are for Dual I/O mode.
CE#	Chip Enable	The device is enabled by a high to low transition on CE#. CE# must remain low for the duration of any command sequence.
WP#	Write Protect	The Write Protect (WP#) pin is used to enable/disable BPL bit in the status register.
RST#/HOLD#	Reset	To reset the operation of the device and the internal logic. The device powers on with RST# pin functionality as default.
	Hold	To temporarily stop serial communication with SPI Flash memory while device is selected. This is selected by an instruction sequence. See “Reset/Hold Mode” page 5 for details.
V <sub>DD</sub>	Power Supply	To provide power supply voltage: 2.7-3.6V
V <sub>SS</sub>	Ground	

T1.0 1392



## MEMORY ORGANIZATION

The SST25VF064C SuperFlash memory array is organized in uniform 4 KByte erasable sectors with 32 KByte overlay blocks and 64 KByte overlay erasable blocks.

## DEVICE OPERATION

The SST25VF064C is accessed through the SPI (Serial Peripheral Interface) bus compatible protocol. The SPI bus consists of four control lines; Chip Enable (CE#) is used to select the device, and data is accessed through the Serial Data Input (SI), Serial Data Output (SO), and Serial Clock (SCK).

The SST25VF064C supports both Mode 0 (0,0) and Mode 3 (1,1) of SPI bus operations. The difference between the two modes, as shown in Figure 3, is the state of the SCK signal when the bus master is in Stand-by mode and no data is being transferred. The SCK signal is low for Mode 0 and SCK signal is high for Mode 3. For both modes, the Serial Data In (SI) is sampled at the rising edge of the SCK clock signal and the Serial Data Output (SO) is driven after the falling edge of the SCK clock signal.

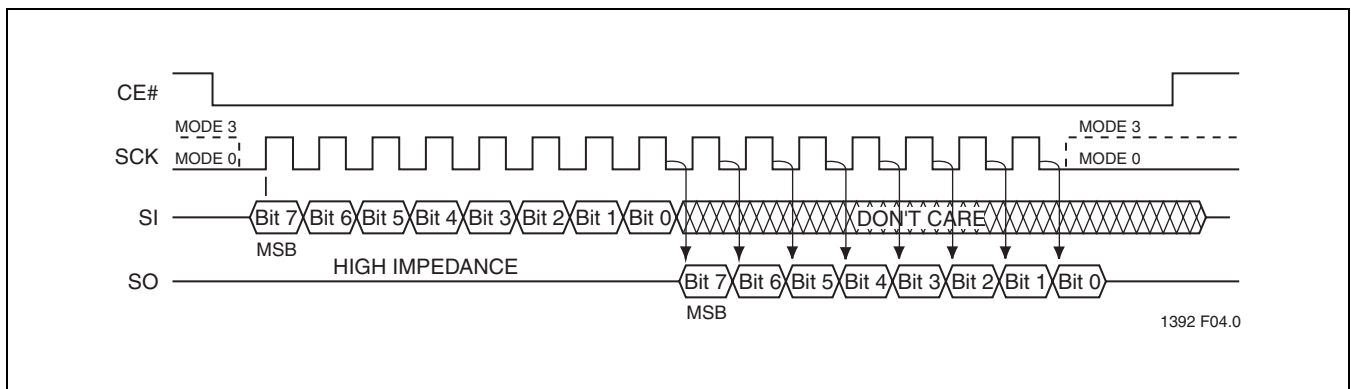


FIGURE 3: SPI Protocol

## Reset/Hold Mode

The RST#/HOLD# pin provides either a hardware reset or a hold pin. From power-on, the RST#/HOLD# pin defaults as a hardware reset pin (RST#). The Hold mode for this pin is a user selected option where an EHLed instruction enables the Hold mode. Once selected as a hold pin (HOLD#), the RST#/HOLD# pin will be configured as a HOLD# pin, and goes back to RST# pin only after a power-off and power-on sequence.

## Reset

If the RST#/HOLD# pin is used as a reset pin, RST# pin provides a hardware method for resetting the device. Driving the RST# pin high puts the device in normal operating

mode. The RST# pin must be driven low for a minimum of  $T_{RST}$  time to reset the device. The SO pin is in high impedance state while the device is in reset. A successful reset will reset the status register to its power-up state (BPL, BUSY and WEL = 0; BP3, BP2, BP1, and BP0 = 1). See Table 2 for default power-up modes. A device reset during an active Program or Erase operation aborts the operation and data of the targeted address range may be corrupted or lost due to the aborted erase or program operation.

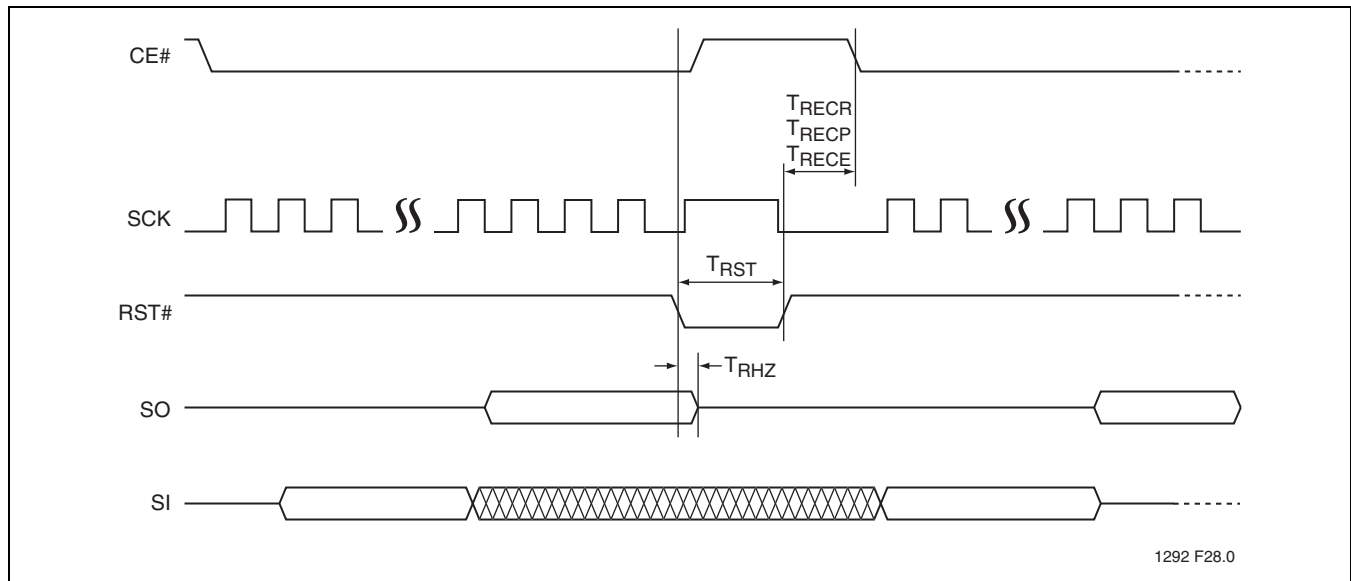


FIGURE 4: Reset Timing Diagram

TABLE 2: Reset Timing Parameters

Symbol	Parameter	Min	Max	Units
$T_{RST}$	Reset Pulse Width	100		ns
$T_{RHZ}$	Reset to High-Z Output		105	ns
$T_{RECR}$	Reset Recovery from Read		100	ns
$T_{RECP}$	Reset Recovery from Program		10	$\mu$ s
$T_{RECE}$	Reset Recovery from Erase		1	ms

T2.1392



## Hold Operation

The EHL instruction enables the hold pin functionality of the RST#/HOLD# pin. Once converted to a hold pin, the RST#/HOLD# pin functions as a hold pin until the device is powered off and on. After the power cycle, the pin functionality returns as a reset pin (RST#) after the power on.

The HOLD# pin is used to pause a serial sequence using the SPI flash memory, but without resetting the clocking sequence. To activate the HOLD# mode, CE# must be in active low state. The HOLD# mode begins when the SCK active low state coincides with the falling edge of the HOLD# signal. The HOLD mode ends when the HOLD# signal's rising edge coincides with the SCK active low state.

If the falling edge of the HOLD# signal does not coincide with the SCK active low state, then the device enters Hold mode when the SCK next reaches the active low state.

Similarly, if the rising edge of the HOLD# signal does not coincide with the SCK active low state, then the device exits from Hold mode when the SCK next reaches the active low state. See Figure 5 for Hold Condition waveform.

Once the device enters Hold mode, SO will be in high-impedance state while SI and SCK can be  $V_{IL}$  or  $V_{IH}$ .

If CE# is driven high during a Hold condition, the device returns to Standby mode. As long as HOLD# signal is low, the memory remains in the Hold condition. To resume communication with the device, HOLD# must be driven active high, and CE# must be driven active low. See Figure 5 for Hold timing.

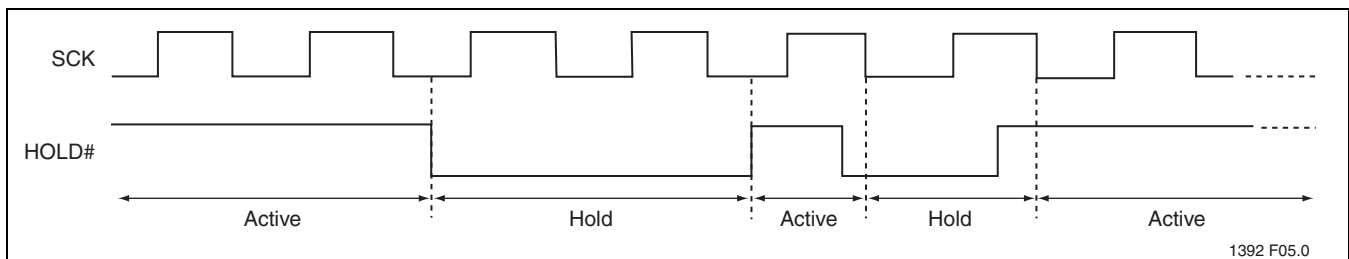


FIGURE 5: Hold Condition Waveform

## Write Protection

SST25VF064C provides software Write protection. The Write Protect pin (WP#) enables or disables the lock-down function of the status register. The Block-Protection bits (BP3, BP2, BP1, BP0, and BPL) in the status register provide Write protection to the memory array and the status register. See Table 5 for the Block-Protection description.

### Write Protect Pin (WP#)

The Write Protect (WP#) pin enables the lock-down function of the BPL bit (bit 7) in the status register. When WP# is driven low, the execution of the Write-Status-Register (WRSR) instruction is determined by the value of the BPL bit (see Table 3). When WP# is high, the lock-down function of the BPL bit is disabled.

TABLE 3: Conditions to execute Write-Status-Register (WRSR) Instruction

WP#	BPL	Execute WRSR Instruction
L	1	Not Allowed
L	0	Allowed
H	X	Allowed

T3.0 1392

## Security ID

SST25VF064C offers a 256-bit Security ID (Sec ID) feature. The Security ID space is divided into two parts – one factory-programmed, 64-bit segment and one user-programmable 192-bit segment. The factory-programmed segment is programmed at SST with a unique number and cannot be changed. The user-programmable segment is left unprogrammed for the customer to program as desired.

Use the Program SID command to program the Security ID using the address shown in Table 7. Once programmed, the Security ID can be locked using the Lockout SID command. This prevents any future write to the Security ID.

The factory-programmed portion of the Security ID can never be programmed, and none of the Security ID can be erased.



## Status Register

The software status register provides status on whether the flash memory array is available for any Read or Write operation, whether the device is Write enabled, and the state of the Memory Write protection. During an internal Erase or

Program operation, the status register may be read only to determine the completion of an operation in progress. Table 4 describes the function of each bit in the software status register.

**TABLE 4: Status Register**

Bit	Name	Function	Default at Power-up	Read/Write
0	BUSY	1 = Internal Write operation is in progress 0 = No internal Write operation is in progress	0	R
1	WEL	1 = Device is memory Write enabled 0 = Device is not memory Write enabled	0	R
2	BP0	Indicate current level of block write protection (See Table 5)	1	R/W
3	BP1	Indicate current level of block write protection (See Table 5)	1	R/W
4	BP2	Indicate current level of block write protection (See Table 5)	1	R/W
5	BP3	Indicate current level of block write protection (See Table 5)	1	R/W
6	SEC <sup>1</sup>	Security ID status 1 = Security ID space locked 0 = Security ID space not locked	0 <sup>1</sup>	R
7	BPL	1 = BP3, BP2, BP1, BP0 are read-only bits 0 = BP3, BP2, BP1, BP0 are readable/writable	0	R/W

T4.0 1392

1. The Security ID status will always be '1' at power-up after a successful execution of the Lockout SID instruction; otherwise, the default at power up is '0'.

## Busy

The Busy bit determines whether there is an internal Erase or Program operation in progress. A '1' for the Busy bit indicates the device is busy with an operation in progress. A '0' indicates the device is ready for the next valid operation.

## Write Enable Latch (WEL)

The Write-Enable-Latch bit indicates the status of the internal memory Write Enable Latch. If the Write-Enable-Latch bit is set to '1', it indicates the device is Write enabled. If the bit is set to '0' (reset), it indicates the device is not Write enabled and does not accept any memory Write (Program/Erase) commands. The Write-Enable-Latch bit is automatically reset under the following conditions:

- Power-up
- Write-Disable (WRDI) instruction completion
- Write-Status Register instruction completion
- Page-Program instruction completion
- Dual-Input Page-Program instruction completion
- Sector-Erase instruction completion
- Block-Erase instruction completion
- Chip-Erase instruction completion
- Program SID instruction completion
- Lockout SID instruction completion



Data Sheet

**Block Protection (BP3, BP2, BP1, BP0)**

The Block-Protection (BP3, BP2, BP1, BP0) bits define the size of the memory area, as shown in Table 5, to be software protected against any memory Write (Program or Erase) operation. The Write-Status-Register (WRSR) instruction is used to program the BP3, BP2, BP1 and BP0 bits as long as WP# is high or the Block-Protect-Lock (BPL) bit is 0. Chip-Erase can only be executed if Block-Protection bits are all 0. After power-up, BP3, BP2, BP1 and BP0 are set to the defaults specified in Table 5.

**Block Protection Lock-Down (BPL)**

WP# pin driven low ( $V_{IL}$ ), enables the Block-Protection-Lock-Down (BPL) bit. When BPL is set to 1, it prevents any further alteration of the BPL, BP3, BP2, BP1, and BP0 bits. When the WP# pin is driven high ( $V_{IH}$ ), the BPL bit has no effect and its value is “Don’t Care”. After power-up, the BPL bit is reset to 0.

**Security ID Status (SEC)**

The Security ID Status (SEC) bit indicates when the Security ID space is locked to prevent a Write command. The SEC is ‘1’ after the host issues a Lockout SID command. Once the host issues a Lockout SID command, the SEC bit can never be reset to ‘0.’

**TABLE 5: Software Status Register Block Protection FOR SST25VF064C**

Protection Level	Status Register Bit <sup>1</sup>				Protected Memory Address
	BP3	BP2	BP1	BP0	64 Mbit
None	0	0	0	0	None
Upper 1/128	0	0	0	1	7F0000H-7FFFFFFH
Upper 1/64	0	0	1	0	7E0000H-7FFFFFFH
Upper 1/32	0	0	1	1	7C0000H-7FFFFFFH
Upper 1/16	0	1	0	0	780000H-7FFFFFFH
Upper 1/8	0	1	0	1	700000H-7FFFFFFH
Upper 1/4	0	1	1	0	600000H-7FFFFFFH
Upper 1/2	0	1	1	1	400000H-7FFFFFFH
All Blocks	1	0	0	0	000000H-7FFFFFFH
All Blocks	1	0	0	1	000000H-7FFFFFFH
All Blocks	1	0	1	0	000000H-7FFFFFFH
All Blocks	1	0	1	1	000000H-7FFFFFFH
All Blocks	1	1	0	0	000000H-7FFFFFFH
All Blocks	1	1	0	1	000000H-7FFFFFFH
All Blocks	1	1	1	0	000000H-7FFFFFFH
All Blocks	1	1	1	1	000000H-7FFFFFFH

1. Default at power-up for BP3, BP2, BP1, and BP0 is ‘1111’. (All Blocks Protected)

T5.0 1392





# 64 Mbit SPI Serial Dual I/O Flash SST25VF064C

Data Sheet

## INSTRUCTIONS

Instructions are used to read, write (Erase and Program), and configure the SST25VF064C. The instruction bus cycles are 8 bits each for commands (Op Code), data, and addresses. The Write-Enable (WREN) instruction must be executed prior any Page-Program, Dual-Input Page-Program, Sector-Erase, Block-Erase, Write-Status-Register, Chip-Erase, Program SID, or Lockout SID instructions. The complete list of instructions is provided in Table 6.

All instructions are synchronized off a high to low transition of CE#. Inputs will be accepted on the rising edge of SCK starting with the most significant bit. CE# must be driven

low before an instruction is entered and must be driven high after the last bit of the instruction has been shifted in (except for Read, Read-ID, and Read-Status-Register instructions). Any low to high transition on CE#, before receiving the last bit of an instruction bus cycle, will terminate the instruction in progress and return the device to standby mode. Instruction commands (Op Code), addresses, and data are all input from the most significant bit (MSB) first.

**TABLE 6: Device Operation Instructions**

Instruction	Description	Op Code Cycle <sup>1</sup>	Address Cycle(s) <sup>2</sup>	Dummy Cycle(s)	Data Cycle(s)
Read	Read Memory	0000 0011b (03H)	3	0	1 to ∞
Fast-Read Dual I/O	Read Memory with Dual Address Input and Data Output	1011 1011b (BBH)	3 <sup>3</sup>	1 <sup>3</sup>	1 to ∞ <sup>3</sup>
Fast-Read Dual-Output	Read Memory with Dual Output	0011 1011b (3BH)	3	1	1 to ∞ <sup>3</sup>
High-Speed Read	Read Memory at Higher Speed	0000 1011b (0BH)	3	1	1 to ∞
Sector-Erase <sup>4</sup>	Erase 4 KByte of memory array	0010 0000b (20H)	3	0	0
32 KByte Block-Erase <sup>5</sup>	Erase 32KByte block of memory array	0101 0010b (52H)	3	0	0
64 KByte Block-Erase <sup>6</sup>	Erase 64 KByte block of memory array	1101 1000b (D8H)	3	0	0
Chip-Erase	Erase Full Memory Array	0110 0000b (60H) or 1100 0111b (C7H)	0	0	0
Page-Program	To Program 1 to 256 Data Bytes	0000 0010b (02H)	3	0	1 to 256
Dual-Input Page-Program	To Program 1 to 256 Data Bytes	1010 0010b (A2H)	3	0	1 to 128 <sup>3</sup>
RDSR <sup>7</sup>	Read-Status-Register	0000 0101b (05H)	0	0	1 to ∞
EWSR	Enable-Write-Status-Register	0101 0000b (50H)	0	0	0
WRSR	Write-Status-Register	0000 0001b (01H)	0	0	1
WREN	Write-Enable	0000 0110b (06H)	0	0	0
WRDI	Write-Disable	0000 0100b (04H)	0	0	0
RDID <sup>8</sup>	Read-ID	1001 0000b (90H) or 1010 1011b (ABH)	3	0	1 to ∞
JEDEC-ID	JEDEC ID Read	1001 1111b (9FH)	0	0	3 to ∞
EHLD	Enable HOLD# pin functionality of the RST#/HOLD# pin	1010 1010b (AAH)	0	0	0
Read SID	Read Security ID	1000 1000b (88H)	1	1	1 to 32
Program SID <sup>9</sup>	Program User Security ID area	1010 0101b (A5H)	1	0	1 to 24
Lockout SID <sup>9</sup>	Lockout Security ID Programming	1000 0101b (85H)	0	0	0

T6.0 1392

1. One bus cycle is eight clock periods.
2. Address bits above the most significant bit can be either V<sub>IL</sub> or V<sub>IH</sub>.
3. One bus cycle is four clock periods (dual operation)
4. 4KByte Sector Erase addresses: use A<sub>MS</sub>-A<sub>12</sub>, remaining addresses are don't care but must be set either at V<sub>IL</sub> or V<sub>IH</sub>.



Data Sheet

- 5. 32KByte Block Erase addresses: use  $A_{MS}-A_{15}$ , remaining addresses are don't care but must be set either at  $V_{IL}$  or  $V_{IH}$ .
- 6. 64KByte Block Erase addresses: use  $A_{MS}-A_{16}$ , remaining addresses are don't care but must be set either at  $V_{IL}$  or  $V_{IH}$ .
- 7. The Read-Status-Register is continuous with ongoing clock cycles until terminated by a low to high transition on CE#.
- 8. Manufacturer's ID is read with  $A_0 = 0$ , and Device ID is read with  $A_0 = 1$ . All other address bits are 00H. The Manufacturer's ID and device ID output stream is continuous until terminated by a low-to-high transition on CE#.
- 9. Requires a prior WREN command.

Read (33 MHz)

The Read instruction, 03H, supports up to 33 MHz Read. The device outputs the data starting from the specified address location. The data output stream is continuous through all addresses until terminated by a low to high transition on CE#. The internal address pointer will automatically increment until the highest memory address is reached. Once the highest memory address is reached, the address pointer will automatically increment to the beginning (wrap-around) of the address space. For exam-

ple, once the data from address location 7FFFFFFH has been read, the next output will be from address location 000000H.

The Read instruction is initiated by executing an 8-bit command, 03H, followed by address bits  $A_{23}-A_0$ . CE# must remain active low for the duration of the Read cycle. See Figure 6 for the Read sequence.

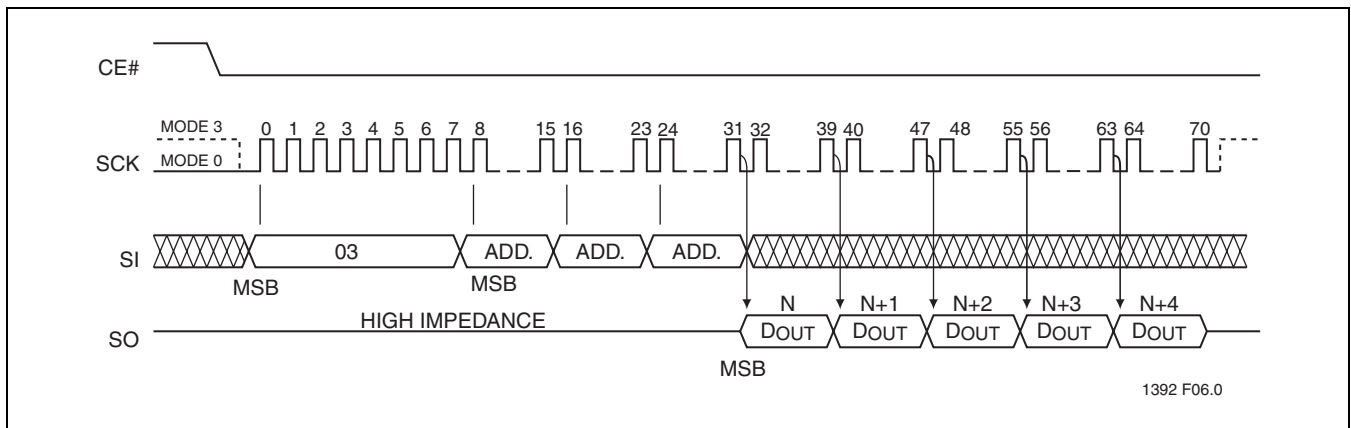


FIGURE 6: Read Sequence

High-Speed Read (80 MHz)

The High-Speed Read instruction supporting up to 80 MHz Read is initiated by executing an 8-bit command, 0BH, followed by address bits  $A_{23}-A_0$  and a dummy byte. CE# must remain active low for the duration of the High-Speed Read cycle. See Figure 7 for the High-Speed Read sequence.

Following a dummy cycle, the High-Speed Read instruction outputs the data starting from the specified address location. The data output stream is continuous through all addresses until terminated by a low to high transition on CE#. The internal address pointer will automatically increment until the highest memory address is reached. Once the highest memory address is reached, the address pointer will automatically increment to the beginning (wrap-around) of the address space. For example, once the data from address location 7FFFFFFH is read, the next output is from address location 000000H.

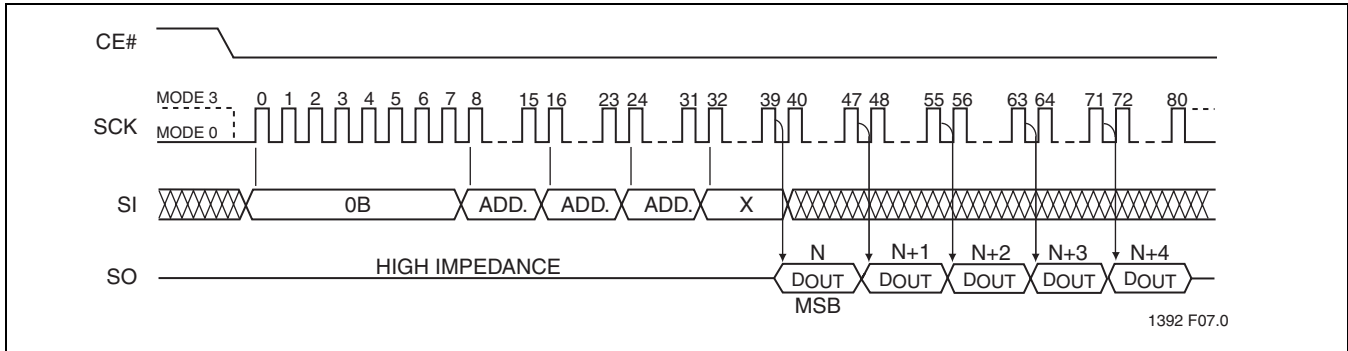


FIGURE 7: High-Speed Read Sequence

### Fast-Read Dual-Output (75 MHz)

The Fast-Read Dual-Output (3BH) instruction outputs data up to 75 MHz from the SIO<sub>0</sub> and SIO<sub>1</sub> pins. To initiate the instruction, execute an 8-bit command (3BH) followed by address bits A23-A0 and a dummy byte on SI/SIO<sub>0</sub>. Following a dummy cycle, the Fast-Read Dual-Output instruction outputs the data starting from the specified address location on the SIO<sub>1</sub> and SIO<sub>0</sub> lines. SIO<sub>1</sub> outputs, per clock sequence, odd data bits D7, D5, D3, and D1; and SIO<sub>0</sub> outputs even data bits D6, D4, D2, and D0. CE# must remain active low for the duration of the Fast-Read Dual-Output instruction cycle. See Figure 8 for the Fast-Read Dual-Output sequence.

The data output stream is continuous through all addresses until terminated by a low-to-high transition on CE#. The internal address pointer will automatically increment until the highest memory address is reached. Once the highest memory address is reached, the address pointer automatically increments to the beginning (wrap-around) of the address space. For 64 Mbit density, once the data from address location 7FFFFFFH has been read the next output will be from address location 000000H.

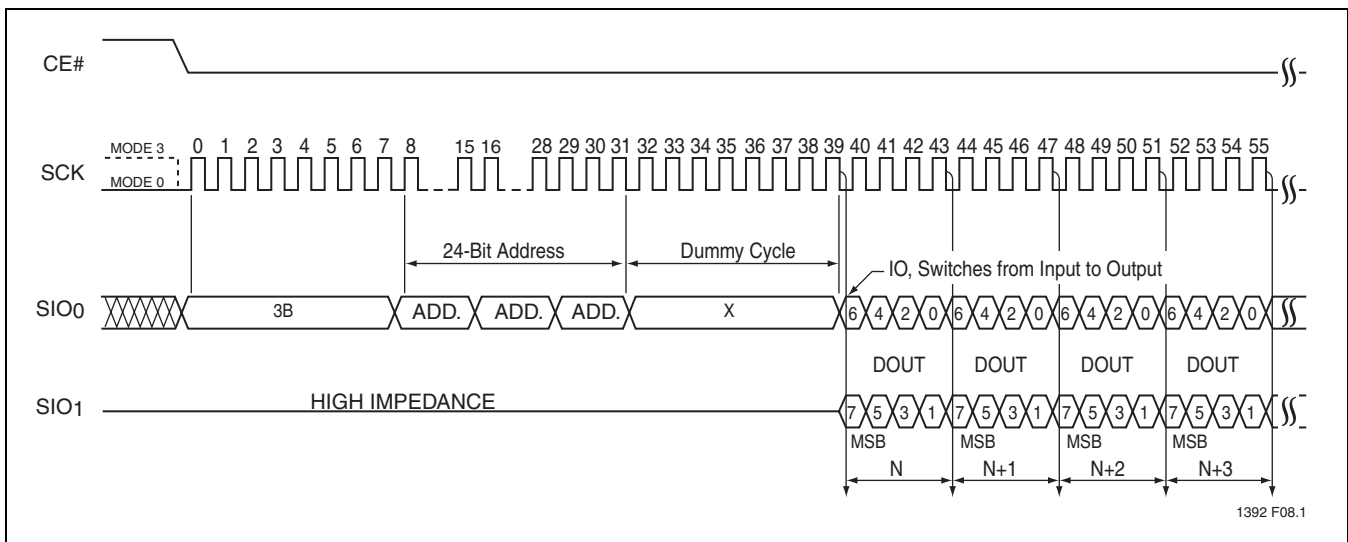


FIGURE 8: Fast-Read Dual Output Sequence



## Fast-Read Dual I/O (50 MHz)

The Fast-Read Dual I/O (BBH) instruction reduces the total number of input clock cycles, which results in faster data access. The device is first selected by driving Chip Enable CE# low. Fast-Read Dual I/O is initiated by executing an 8-bit command (BBH) on SI/SIO<sub>0</sub>, thereafter, the device accepts address bits A23-A0 and a dummy byte on SI/SIO<sub>0</sub> and SO/SIO<sub>1</sub>. It offers the capability to input address bits A23 through A0 at a rate of two bits per clock. Odd address bits A23 through A1 are input on SIO<sub>1</sub> and even address bits A22 through A0 are input on SIO<sub>0</sub>, alternately. For example the most significant bit is input first followed by A23/22, A21/A20, and so on. Each bit is latched at the same rising edge of the Serial Clock (SCK). The input data during the dummy clocks is "don't care". However, the SIO<sub>0</sub> and SIO<sub>1</sub> pin must be in high-impedance prior to the falling edge of the first data output clock.

Following a dummy cycle, the Fast-Read Dual I/O instruction outputs the data starting from the specified address location on the SIO<sub>1</sub> and SIO<sub>0</sub> lines. SIO<sub>1</sub> outputs, per clock sequence, odd data bits D7, D5, D3, and D1; and SIO<sub>0</sub> outputs even data bits D6, D4, D2, and D0 per clock edge. CE# must remain active low for the duration of the Fast-Read Dual I/O instruction cycle. The data output stream is continuous through all addresses until terminated by a low-to-high transition on CE#.

The internal address pointer will automatically increment until the highest memory address is reached. Once the highest memory address is reached, the address pointer automatically increments to the beginning (wraparound) of the address space. For example, once the data from address location 7FFFFFFH is read, the next output is from address location 000000H. See Figure 9 for the Fast-Read Dual I/O sequence.

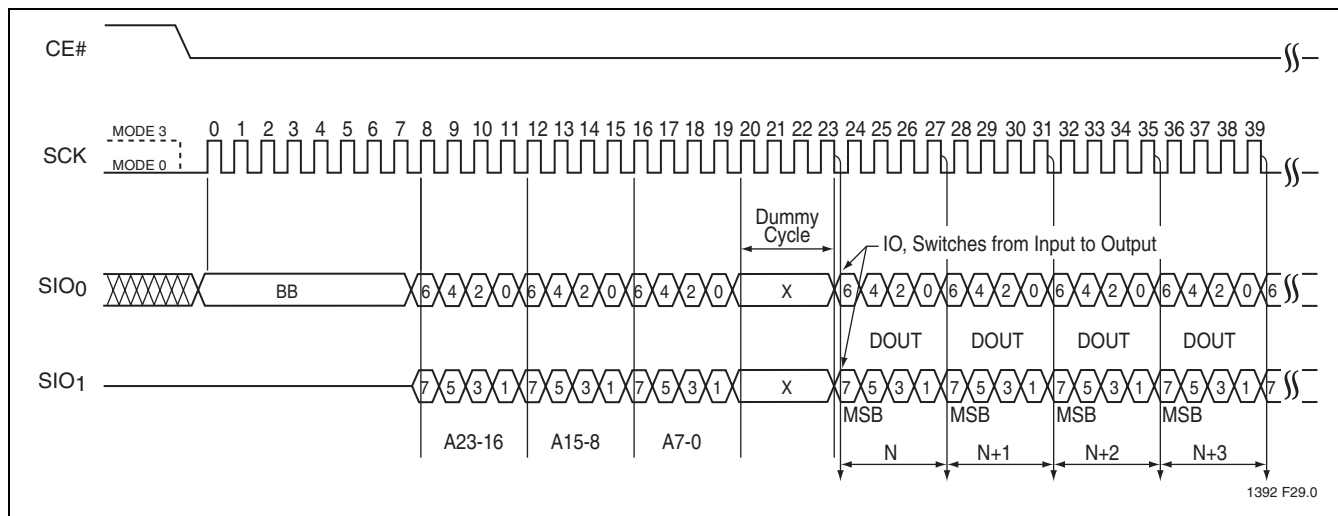


FIGURE 9: Fast-Read Dual I/O Sequence

## Page-Program

The page-Program instruction programs up to 256 bytes of data in the memory. The selected page address must be in the erased state (FFH) before initiating the Page-Program operation. A Page-Program applied to a protected memory area will be ignored.

Prior to the program operation, the Write-Enabled (WREN) instruction must be executed. CE# must remain active low for the duration of the Page-Program instruction. The Page-Program instruction is initiated by executing an 8-bit command, 02H, followed by address bits A23-A0. Following the address, at least one byte is needed for the data input. CE# must be driven high before the instruction is executed. The user may poll the Busy bit in the software status register or

wait  $T_{PP}$  for the completion of the internal self-timed Page-Program operation. See Figure 10 for the Page-Program sequence.

For Page-Program, the memory range for SST25VF064C is set in 256 byte page boundaries. The device handles shifting of more than 256 bytes of data by keeping the last 256 bytes of data shifted as the correct data to be programmed. If the target address for the Page-Program instruction is not the beginning of the page boundary (A7-A0 are not all zero) and the number of data input exceeds or overlaps the end of the address of the page boundary, the excess data inputs will wrap around and will be programmed at the start of that target page.

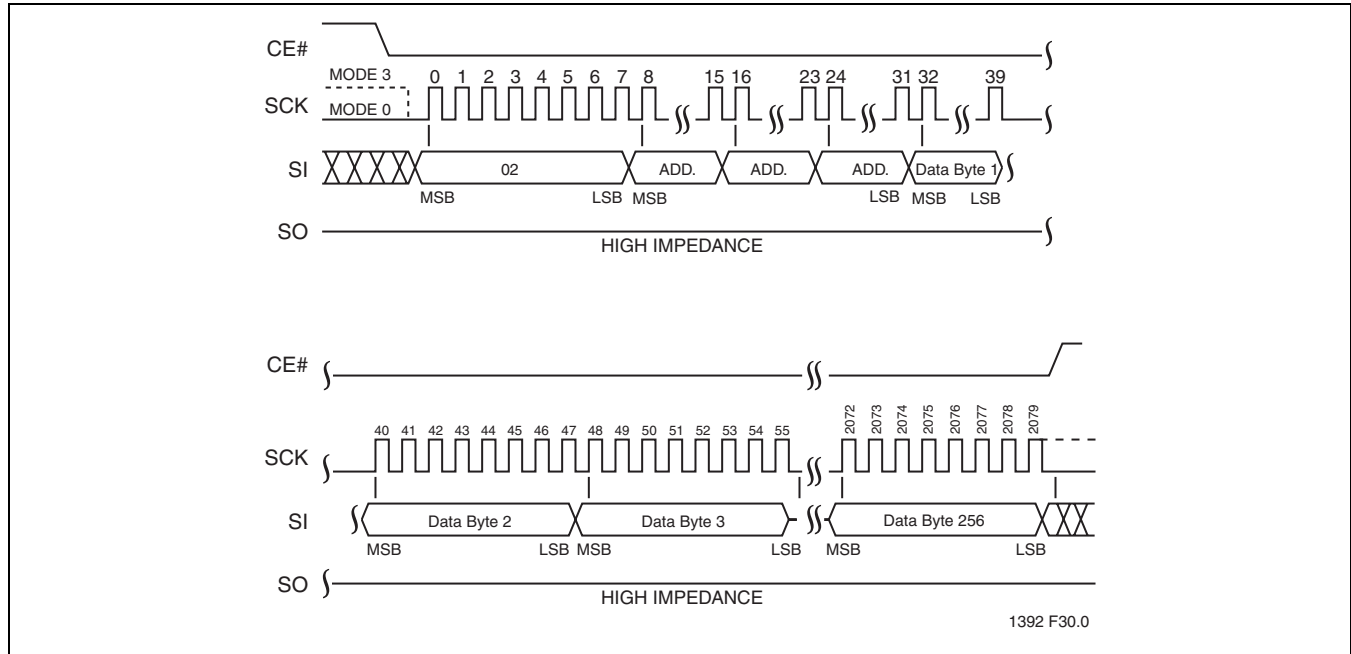


FIGURE 10: Page-Program Sequence



### Dual-Input Page-Program (50 MHz)

Dual-Input Page-Program instruction A2H, doubles the data input transfer of normal Page-Program instruction and supports up to 50MHz. Data to be programmed is entered using two I/O pins, SIO<sub>1</sub> and SIO<sub>0</sub>. Prior to the program operation the Write-Enable (WREN) instruction must be executed. The Dual-Input Page-Program instruction is entered by driving CE# low, followed by the instruction code, A2H, three address bytes, and at least one data byte on serial data inputs SIO<sub>1</sub> and SIO<sub>0</sub> pins. CE# must be driven low for the entire duration of the sequence. The Dual-Input Page-Program instruction programs up to 256 bytes of data in the memory. The selected page address must be in the erased state (FFH) before initiating the Page-Program operation. A Dual-Input Page-Program applied to a protected memory area will be ignored.

CE# must be driven high after the seventh and eighth bit of the last data byte has been latched; otherwise, the dual input program instruction is not executed. Once CE# is

driven high the instruction is executed and the user may poll the WEL and Busy bit of the software status register or wait TPP for the completion of the internal self-timed Page-Program operation. See Figure 10 for the Dual-Input-Page-Program sequence.

For Dual-Input Page-Program, the memory range for the SST25VF064C is set in 256 byte page boundaries. The device handles shifting of more than 256 bytes of data by keeping the last 256 bytes of data shifted as the correct data to be programmed. If the target address for the Page-Program instruction is not the beginning of the page boundary (A7-A0 are not all zero) and the number of data input exceeds or overlaps the end of the address of the page boundary, the excess data inputs will wrap around and will be programmed at the start of that target page.

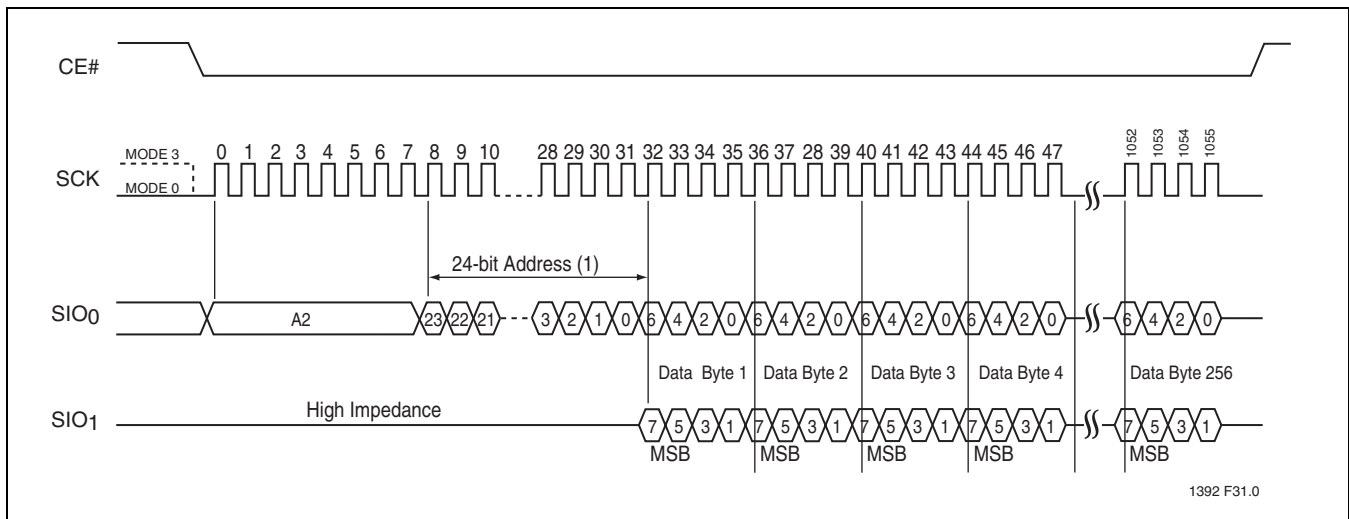


FIGURE 11: Dual-Input Page-Program

### Sector-Erase

The Sector-Erase instruction clears all bits in the selected 4 KByte sector to FFH. A Sector-Erase instruction applied to a protected memory area will be ignored. Prior to any Write operation, the Write-Enable (WREN) instruction must be executed. CE# must remain active low for the duration of any command sequence. The Sector-Erase instruction is initiated by executing an 8-bit command, 20H, followed by

address bits  $A_{23}-A_0$ . Address bits  $A_{MS}-A_{12}$  ( $A_{MS}$  = Most Significant address) are used to determine the sector address ( $SA_x$ ), remaining address bits can be  $V_{IL}$  or  $V_{IH}$ . CE# must be driven high before the instruction is executed. Poll the Busy bit in the software status register or wait  $T_{SE}$  for the completion of the internal self-timed Sector-Erase cycle. See Figure 12 for the Sector-Erase sequence.

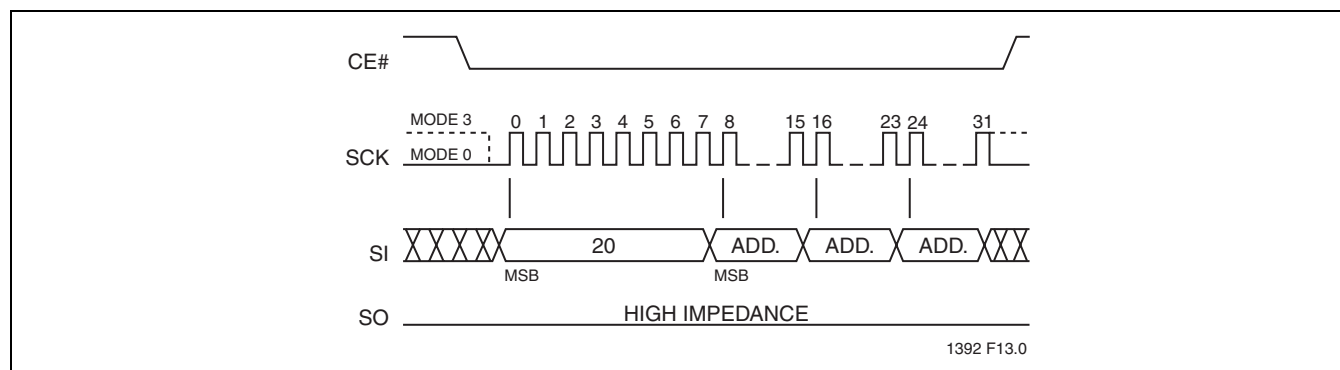


FIGURE 12: Sector-Erase Sequence



### 32-KByte and 64-KByte Block-Erase

The 32-KByte Block-Erase instruction clears all bits in the selected 32 KByte block to FFH. A Block-Erase instruction applied to a protected memory area will be ignored. The 64-KByte Block-Erase instruction clears all bits in the selected 64 KByte block to FFH. A Block-Erase instruction applied to a protected memory area will be ignored. Prior to any Write operation, the Write-Enable (WREN) instruction must be executed. CE# must remain active low for the duration of any command sequence. The 32-Kbyte Block-Erase instruction is initiated by executing an 8-bit command, 52H, followed by address bits  $A_{23}-A_0$ . Address bits  $A_{MS}-A_{15}$  ( $A_{MS}$  = Most Significant Address) are used to

determine block address ( $BA_X$ ), remaining address bits can be  $V_{IL}$  or  $V_{IH}$ . CE# must be driven high before the instruction is executed. The 64-Kbyte Block-Erase instruction is initiated by executing an 8-bit command D8H, followed by address bits  $A_{23}-A_0$ . Address bits  $A_{MS}-A_{15}$  are used to determine block address ( $BA_X$ ), remaining address bits can be  $V_{IL}$  or  $V_{IH}$ . CE# must be driven high before the instruction is executed. Poll the Busy bit in the software status register or wait  $T_{BE}$  for the completion of the internal self-timed 32-KByte Block-Erase or 64-KByte Block-Erase cycles. See Figure 13 for the 32-KByte Block-Erase sequence and Figure 14 for the 64-KByte Block-Erase sequence.

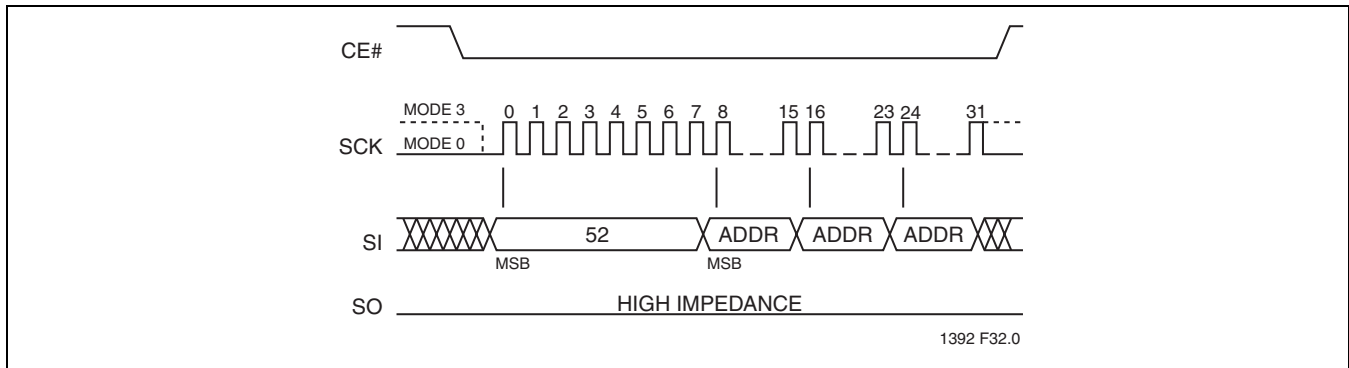


FIGURE 13: 32-KByte Block-Erase Sequence

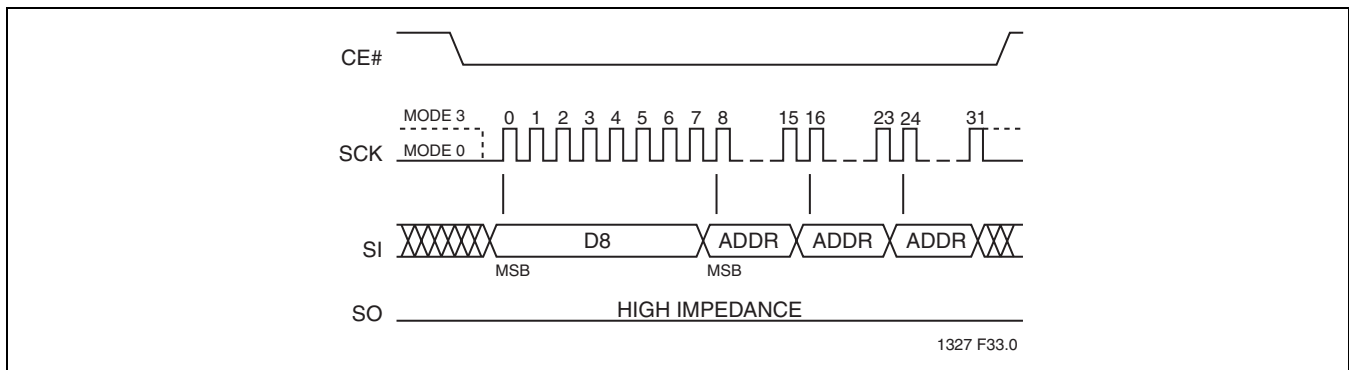


FIGURE 14: 64-KByte Block-Erase Sequence



## Chip-Erase

The Chip-Erase instruction clears all bits in the device to FFH. A Chip-Erase instruction will be ignored if any of the memory area is protected. Prior to any Write operation, the Write-Enable (WREN) instruction must be executed. CE# must remain active low for the duration of the Chip-Erase instruction sequence. Initiate the Chip-Erase instruction by

executing an 8-bit command, 60H or C7H. CE# must be driven high before the instruction is executed. Poll the Busy bit in the software status register or wait  $T_{CE}$  for the completion of the internal self-timed Chip-Erase cycle. See Figure 15 for the Chip-Erase sequence.

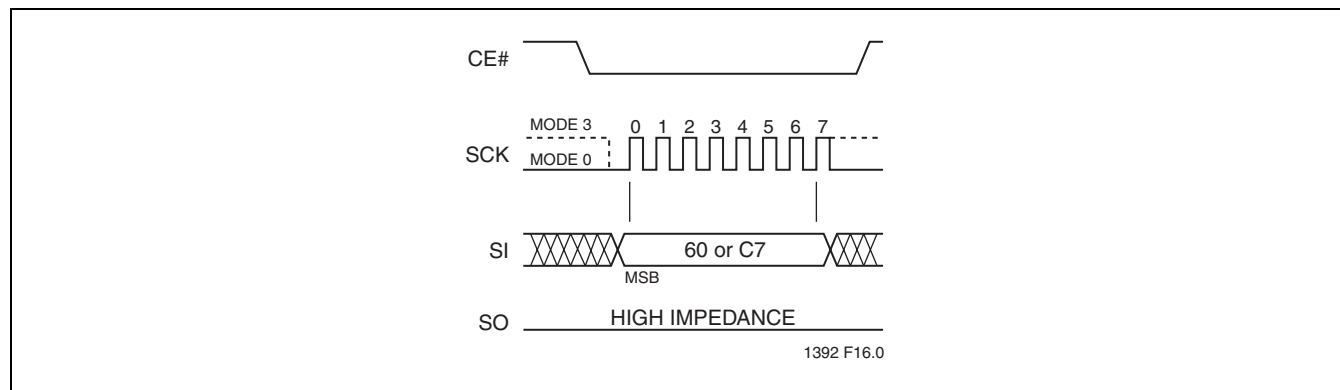


FIGURE 15: Chip-Erase Sequence

## Read Security ID

To execute a Read SID operation, the host drives CE# low, sends the Read SID command cycle (88H), one address cycle, and then one dummy cycle. Each cycle is eight bits long, most significant bit first.

After the dummy cycle, the device outputs data on the falling edge of the SCK signal, starting from the specified address location. The data output stream is continuous through all SID addresses until terminated by a low-to-high transition on CE#. The internal address pointer automatically increments until the last SID address is reached, then outputs wrap around until CE# goes high.

## Lockout Security ID

The Lockout SID instruction prevents any future changes to the Security ID. Prior to the Lockout SID operation, the Write-Enable (WREN) instruction must be executed. To execute a Lockout SID, the host drives CE# low, sends the Lockout SID command cycle (85H), then drives CE# high. A cycle is 8 bits long, most significant bit first. The user may poll the BUSY bit in the software status register or waits  $T_{PSID}$  for the completion of the Lockout SID operation.

## Program Security ID

The Program SID instruction programs one to 24 bytes of data in the user-programmable, Security ID space. The device ignores a Program SID instruction pointing to an invalid or protected address, see Table 7. Prior to the program operation, execute WREN.

To execute a Program SID operation, the host drives CE# low, sends the Program SID command cycle (A5H), one address cycle, the data to be programmed, then drives CE# high. The programmed data must be between 1 to 24 Bytes and in whole Byte increments. To determine the completion of the internal, self-timed Program SID operation, poll the BUSY bit in the software status register, or wait  $T_{PSID}$  for the completion of the internal self-timed Program SID operation.

TABLE 7: Program Security ID

Program Security ID	Address Range
Pre-Programmed at factory	00H – 07H
User Programmable	08H – 1FH

T7.0 1392

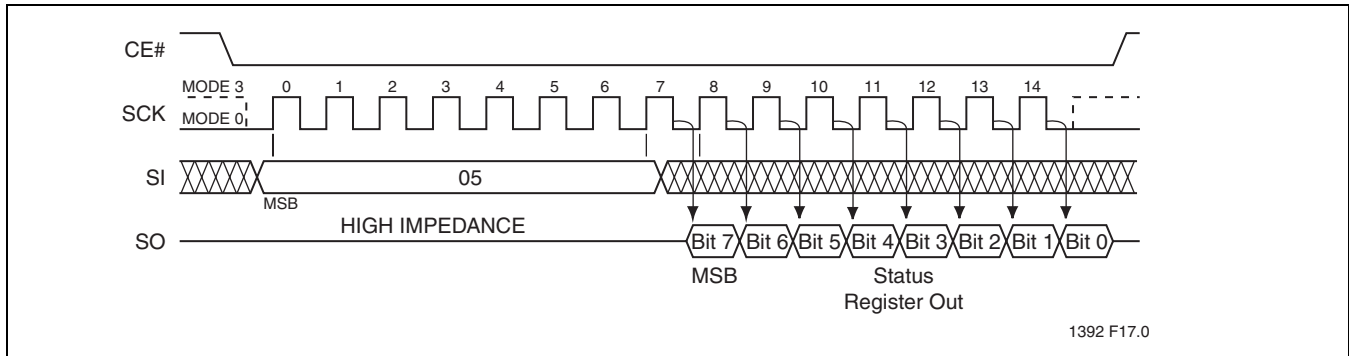


Data Sheet

**Read-Status-Register (RDSR)**

The Read-Status-Register (RDSR) instruction allows reading of the status register. The status register may be read at any time even during a Write (Program/Erase) operation. When a Write operation is in progress, the Busy bit may be checked before sending any new commands to assure that

the new commands are properly received by the device. CE# must be driven low before the RDSR instruction is entered and remain low until the status data is read. Read-Status-Register is continuous with ongoing clock cycles until it is terminated by a low to high transition of the CE#. See Figure 16 for the RDSR instruction sequence.

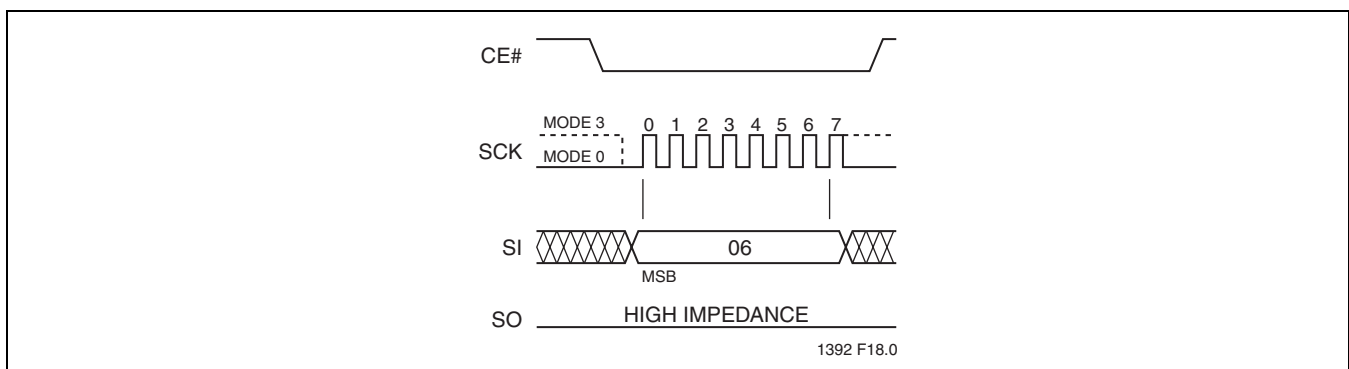


**FIGURE 16: Read-Status-Register (RDSR) Sequence**

**Write-Enable (WREN)**

The Write-Enable (WREN) instruction sets the Write-Enable-Latch bit in the Status Register to '1' allowing Write operations to occur. The WREN instruction must be executed prior to any Write (Program/Erase) operation. The WREN instruction may also be used to allow execution of

the Write-Status-Register (WRSR) instruction; however, the Write-Enable-Latch bit in the Status Register will be cleared upon the rising edge CE# of the WRSR instruction. CE# must be driven high before the WREN instruction is executed.



**FIGURE 17: Write Enable (WREN) Sequence**

### Write-Disable (WRDI)

The Write-Disable (WRDI) instruction resets the Write-Enable-Latch bit to '0,' thereby, preventing any new Write operations. The WRDI instruction will not terminate any program or erase operation in progress. Any program or

erase operation in progress will continue after executing the WRDI instruction. CE# must be driven high before the WRDI instruction is executed.

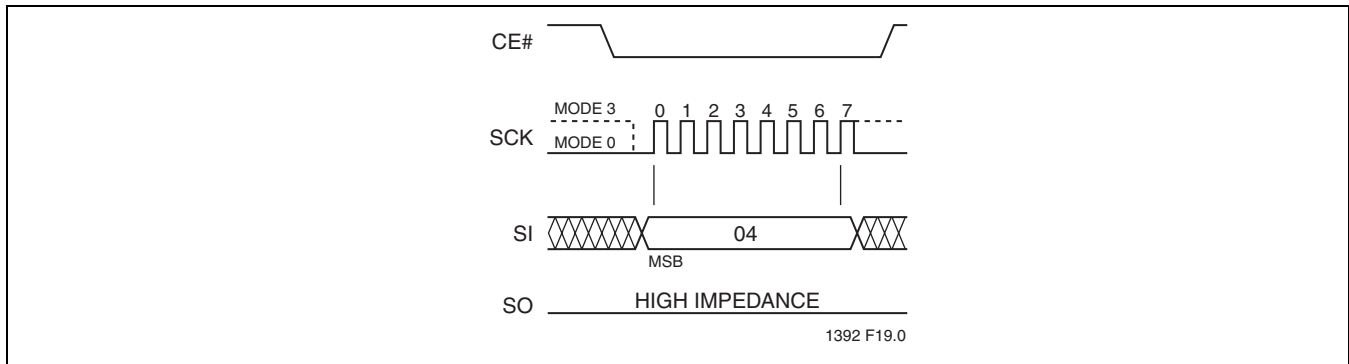


FIGURE 18: Write Disable (WRDI) Sequence



### Enable-Write-Status-Register (EWSR)

The Enable-Write-Status-Register (EWSR) instruction arms the Write-Status-Register (WRSR) instruction and opens the status register for alteration. The Write-Status-Register instruction must be executed immediately after the execution of the Enable-Write-Status-Register instruction. This two-step instruction sequence of the EWSR instruc-

tion followed by the WRSR instruction works like software data protection (SDP) command structure which prevents any accidental alteration of the status register values. CE# must be driven low before the EWSR instruction is entered and must be driven high before the EWSR instruction is executed.

### Write-Status-Register (WRSR)

The Write-Status-Register instruction writes new values to the BP3, BP2, BP1, BP0, and BPL bits of the status register. CE# must be driven low before the command sequence of the WRSR instruction is entered and driven high before the WRSR instruction is executed. See Figure 19 for EWSR or WREN and WRSR instruction sequences.

Executing the Write-Status-Register instruction will be ignored when WP# is low and BPL bit is set to '1'. When the WP# is low, the BPL bit can only be set from '0' to '1' to lock-down the status register, but cannot be reset from '1' to '0'. When WP# is high, the lock-down function of the BPL

bit is disabled and the BPL, BP0, BP1, BP2, and BP3 bits in the status register can all be changed. As long as BPL bit is set to '0' or WP# pin is driven high ( $V_{IH}$ ) prior to the low-to-high transition of the CE# pin at the end of the WRSR instruction, the bits in the status register can all be altered by the WRSR instruction. In this case, a single WRSR instruction can set the BPL bit to '1' to lock down the status register as well as altering the BP0, BP1, BP2, and BP3 bits at the same time. See Table 3 for a summary description of WP# and BPL functions.

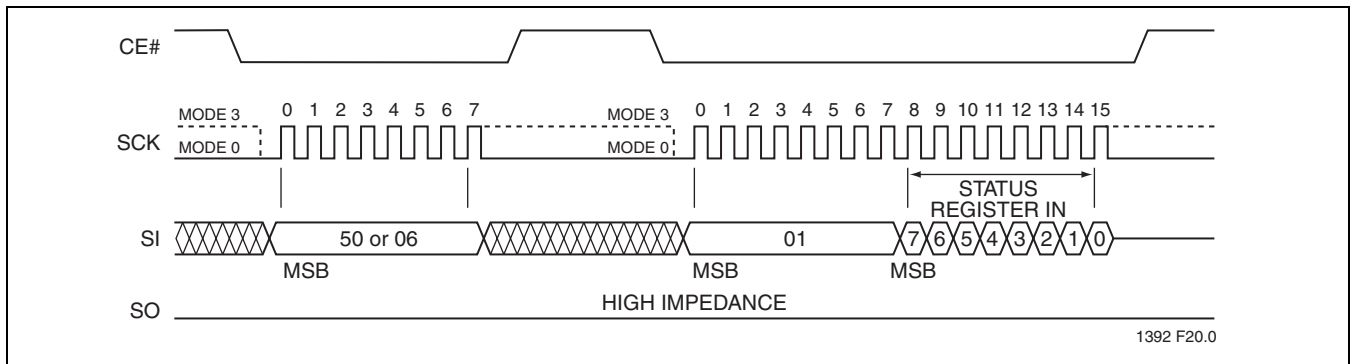


FIGURE 19: Enable-Write-Status-Register (EWSR) or Write-Enable (WREN) and Write-Status-Register (WRSR) Sequence

### Enable-Hold (EHL D)

The 8-bit command, AAH, Enable-Hold instruction enables the HOLD functionality of the RST#/HOLD# pin. CE# must remain active low for the duration of the Enable-Hold

instruction sequence. CE# must be driven high before the instruction is executed. See Figure 20 for the Enable-Hold instruction sequence.

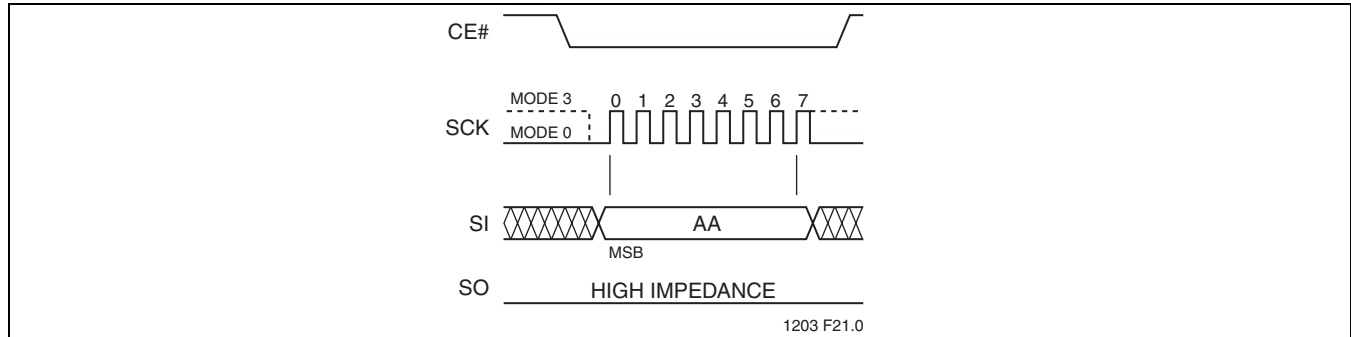


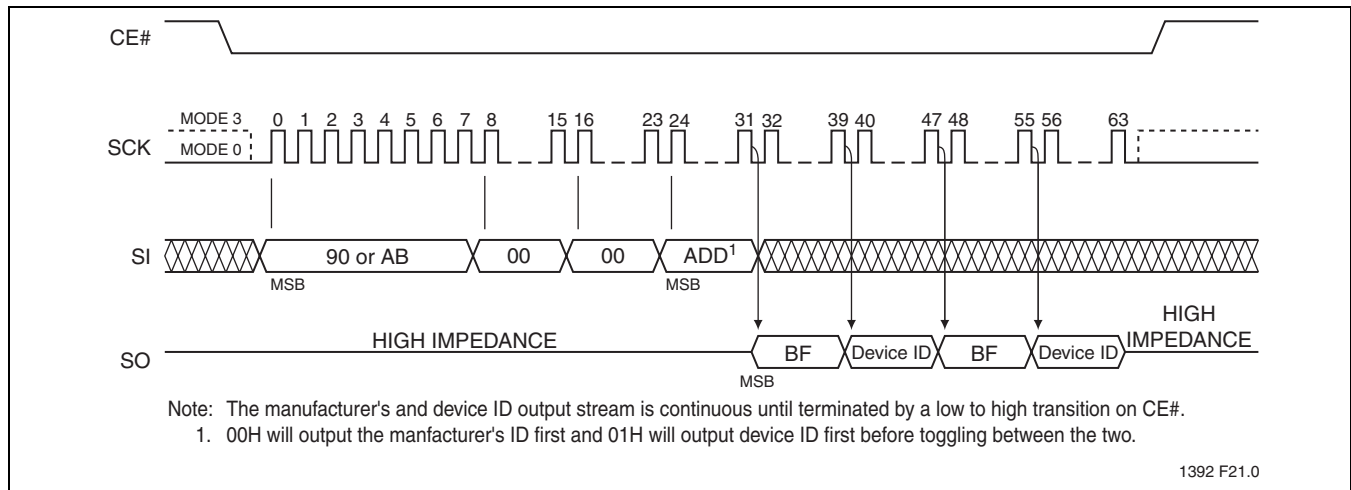
FIGURE 20: Enable-Hold Sequence

### Read-ID (RDID)

The Read-ID instruction (RDID) identifies the device as SST25VF064C and manufacturer as SST. The device information can be read from executing an 8-bit command, 90H or ABH, followed by address bits A<sub>23</sub>-A<sub>0</sub>. Following the Read-ID instruction, the manufacturer's ID is located in address 00000H and the device ID is located in address 00001H. Once the device is in Read-ID mode, the manu-

facturer's and device ID output data toggles between address 00000H and 00001H until terminated by a low to high transition on CE#. After CE# is driven high, the device is put into standby mode.

Refer to Tables 8 and 9 for device identification data.



Note: The manufacturer's and device ID output stream is continuous until terminated by a low to high transition on CE#.  
1. 00H will output the manufacturer's ID first and 01H will output device ID first before toggling between the two.

FIGURE 21: Read-ID Sequence

TABLE 8: Product Identification

	Address	Data
Manufacturer's ID	00000H	BFH
Device ID SST25VF064C	00001H	4BH

T8.0 1392

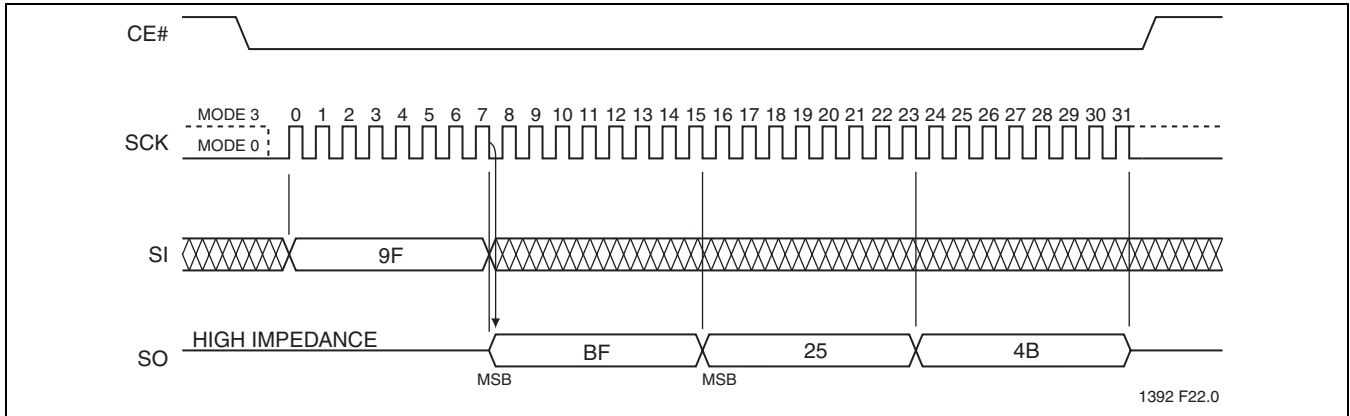


Data Sheet

**JEDEC Read-ID**

The JEDEC Read-ID instruction identifies the device as SST25VF064C and the manufacturer as SST. The device information can be read from executing the 8-bit command, 9FH. Following the JEDEC Read-ID instruction, the 8-bit manufacturer's ID, BFH, is output from the device. After that, a 24-bit device ID is shifted out on the SO pin. Byte 1,

BFH, identifies the manufacturer as SST. Byte 2, 25H, identifies the memory type as SPI Serial Flash. Byte 3, 4BH, identifies the device as SST25VF064C. The instruction sequence is shown in Figure 22. The JEDEC Read ID instruction is terminated by a low to high transition on CE# at any time during data output.



**FIGURE 22: JEDEC Read-ID Sequence**

**TABLE 9: JEDEC Read-ID Data**

Manufacturer's ID	Device ID	
	Memory Type	Memory Capacity
Byte1	Byte 2	Byte 3
BFH	25H	4BH

T9.0 1392



# 64 Mbit SPI Serial Dual I/O Flash SST25VF064C

Data Sheet

## ELECTRICAL SPECIFICATIONS

**Absolute Maximum Stress Ratings** Applied conditions greater than those listed under “Absolute Maximum Stress Ratings” may cause permanent damage to the device. This is a stress rating only and functional operation of the device at these conditions or conditions greater than those defined in the operational sections of this data sheet is not implied. Exposure to absolute maximum stress rating conditions may affect device reliability.

Temperature Under Bias	-55°C to +125°C
Storage Temperature	-65°C to +150°C
D. C. Voltage on Any Pin to Ground Potential	-0.5V to $V_{DD}+0.5V$
Transient Voltage (<20 ns) on Any Pin to Ground Potential	-2.0V to $V_{DD}+2.0V$
Package Power Dissipation Capability ( $T_A = 25^\circ C$ )	1.0W
Surface Mount Solder Reflow Temperature	260°C for 10 seconds
Output Short Circuit Current <sup>1</sup>	50 mA

1. Output shorted for no more than one second. No more than one output shorted at a time.

### Operating Range

Range	Ambient Temp	$V_{DD}$
Commercial	0°C to +70°C	2.7-3.6V
Industrial	-40°C to +85°C	2.7-3.6V

### AC Conditions of Test

Input Rise/Fall Time	5 ns
Output Load	$C_L = 30$ pF
See Figure 28	

**TABLE 10: DC Operating Characteristics ( $V_{DD} = 2.7-3.6V$ )**

Symbol	Parameter	Limits			Test Conditions
		Min	Max	Units	
$I_{DDR}$	Read Current		12	mA	$CE\# = 0.1 V_{DD}/0.9 V_{DD}@33$ MHz, SO = open
$I_{DDR2}$	High-Speed Read Current		25	mA	$CE\# = 0.1 V_{DD}/0.9 V_{DD}@80$ MHz, SO = open
$I_{DDR3}$	Fast-Read Dual-Output/Dual I/O Current		25	mA	$CE\# = 0.1 V_{DD}/0.9 V_{DD}@75/50$ MHz
$I_{DDW}$	Program and Erase Current		25	mA	$CE\# = V_{DD}$
$I_{SB1}$	Standby Current		20	$\mu A$	$CE\# = V_{DD}, V_{IN} = V_{DD}$ or $V_{SS}$
$I_{LI}$	Input Leakage Current		1	$\mu A$	$V_{IN} = GND$ to $V_{DD}, V_{DD} = V_{DD}$ Max
$I_{LO}$	Output Leakage Current		1	$\mu A$	$V_{OUT} = GND$ to $V_{DD}, V_{DD} = V_{DD}$ Max
$V_{IL}$	Input Low Voltage		0.8	V	$V_{DD} = V_{DD}$ Min
$V_{IH}$	Input High Voltage	$0.7 V_{DD}$		V	$V_{DD} = V_{DD}$ Max
$V_{OL}$	Output Low Voltage		0.2	V	$I_{OL} = 100 \mu A, V_{DD} = V_{DD}$ Min
$V_{OH}$	Output High Voltage	$V_{DD}-0.2$		V	$I_{OH} = -100 \mu A, V_{DD} = V_{DD}$ Min

T10.0 1392

**TABLE 11: Capacitance ( $T_A = 25^\circ C, f = 1$  Mhz, other pins open)**

Parameter	Description	Test Condition	Maximum
$C_{OUT}^1$	Output Pin Capacitance	$V_{OUT} = 0V$	12 pF
$C_{IN}^1$	Input Capacitance	$V_{IN} = 0V$	6 pF

T11.0 1392

1. This parameter is measured only for initial qualification and after a design or process change that could affect this parameter.



Data Sheet

**TABLE 12: Reliability Characteristics**

Symbol	Parameter	Minimum Specification	Units	Test Method
N <sub>END</sub> <sup>1</sup>	Endurance	10,000	Cycles	JEDEC Standard A117
T <sub>DR</sub> <sup>1</sup>	Data Retention	100	Years	JEDEC Standard A103
I <sub>LTH</sub> <sup>1</sup>	Latch Up	100 + I <sub>DD</sub>	mA	JEDEC Standard 78

T12.0 1392

1. This parameter is measured only for initial qualification and after a design or process change that could affect this parameter.

**TABLE 13: AC Operating Characteristics**

Symbol	Parameter	33 MHz		50 MHz		75/80 MHz		Units
		Min	Max	Min	Max	Min	Max	
F <sub>CLK</sub> <sup>1</sup>	Serial Clock Frequency High-Speed Read		33		50		75/80	MHz
T <sub>SCKH</sub>	Serial Clock High Time	13		9		6		ns
T <sub>SCKL</sub>	Serial Clock Low Time	13		9		6		ns
T <sub>SCKR</sub> <sup>2</sup>	Serial Clock Rise Time (Slew Rate)	0.1		0.1		0.1		V/ns
T <sub>SCKF</sub>	Serial Clock Fall Time (Slew Rate)	0.1		0.1		0.1		V/ns
T <sub>CES</sub> <sup>3</sup>	CE# Active Setup Time	5		5		5		ns
T <sub>CEH</sub> <sup>3</sup>	CE# Active Hold Time	5		5		5		ns
T <sub>CHS</sub> <sup>3</sup>	CE# Not Active Setup Time	5		5		5		ns
T <sub>CHH</sub> <sup>3</sup>	CE# Not Active Hold Time	5		5		5		ns
T <sub>CPH</sub>	CE# High Time	50		50		50		ns
T <sub>CHZ</sub> <sup>4</sup>	CE# High to High-Z Output		7		7		7	ns
T <sub>CLZ</sub>	SCK Low to Low-Z Output	0		0		0		ns
T <sub>DS</sub>	Data In Setup Time	3		3		2		ns
T <sub>DH</sub>	Data In Hold Time	5		5		4		ns
T <sub>HLS</sub>	HOLD# Low Setup Time	5		5		5		ns
T <sub>HHS</sub>	HOLD# High Setup Time	5		5		5		ns
T <sub>HLH</sub>	HOLD# Low Hold Time	5		5		5		ns
T <sub>HHH</sub>	HOLD# High Hold Time	5		5		5		ns
T <sub>HZ</sub> <sup>4</sup>	HOLD# Low to High-Z Output		7		7		7	ns
T <sub>LZ</sub> <sup>4</sup>	HOLD# High to Low-Z Output		7		7		7	ns
T <sub>OH</sub>	Output Hold from SCK Change	0		0		0		ns
T <sub>V</sub>	Output Valid from SCK		15		10		6	ns
T <sub>SE</sub>	Sector-Erase		25		25		25	ms
T <sub>BE</sub>	Block-Erase		25		25		25	ms
T <sub>SCE</sub>	Chip-Erase		50		50		50	ms
T <sub>PP</sub>	Page-Program		2.5		2.5		2.5	ms
T <sub>PSID</sub>	Program Security ID		1.0		1.0		1.0	ms

T13.1 1392

1. Maximum clock frequency for Read Instruction, 03H, is 33 MHz  
Maximum clock frequency Fast-Read Dual-Output (3BH) is 75 MHz  
Maximum clock frequency Fast-Read Dual I/O (BBH) is 50 MHz  
Maximum clock frequency for High-Speed Read, OBH, is 80 MHz  
Maximum clock frequency for Dual-Input Page-Program, A2H, is 50 Mhz
2. Maximum Rise and Fall time may be limited by T<sub>SCKH</sub> and T<sub>SCKL</sub> requirements
3. Relative to SCK.
4. Not 100% tested in production.



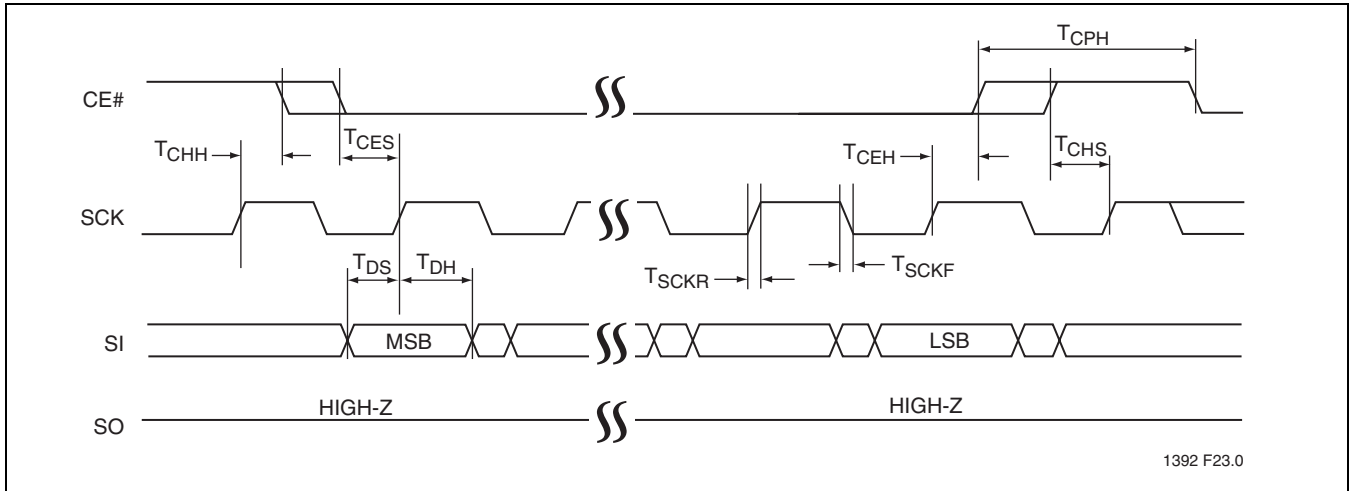


FIGURE 23: Serial Input Timing Diagram

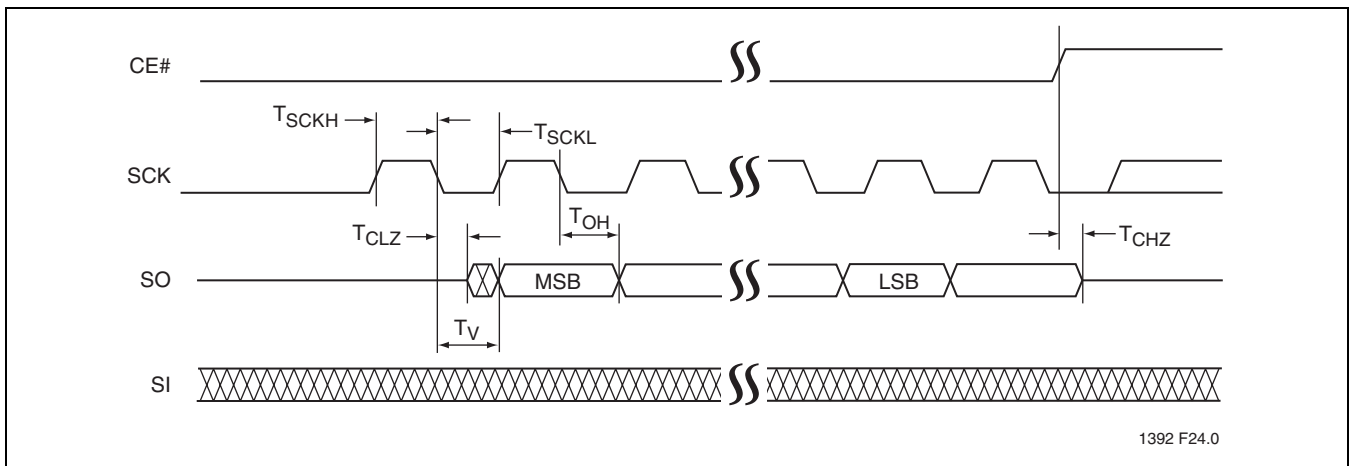


FIGURE 24: Serial Output Timing Diagram

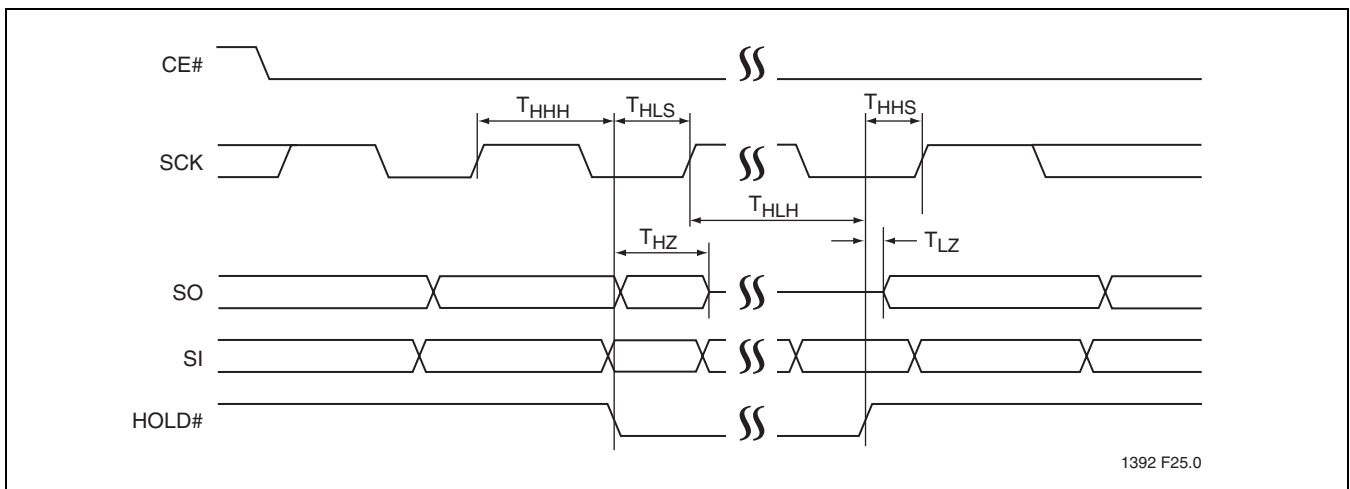


FIGURE 25: Hold Timing Diagram



### Power-Up Specifications

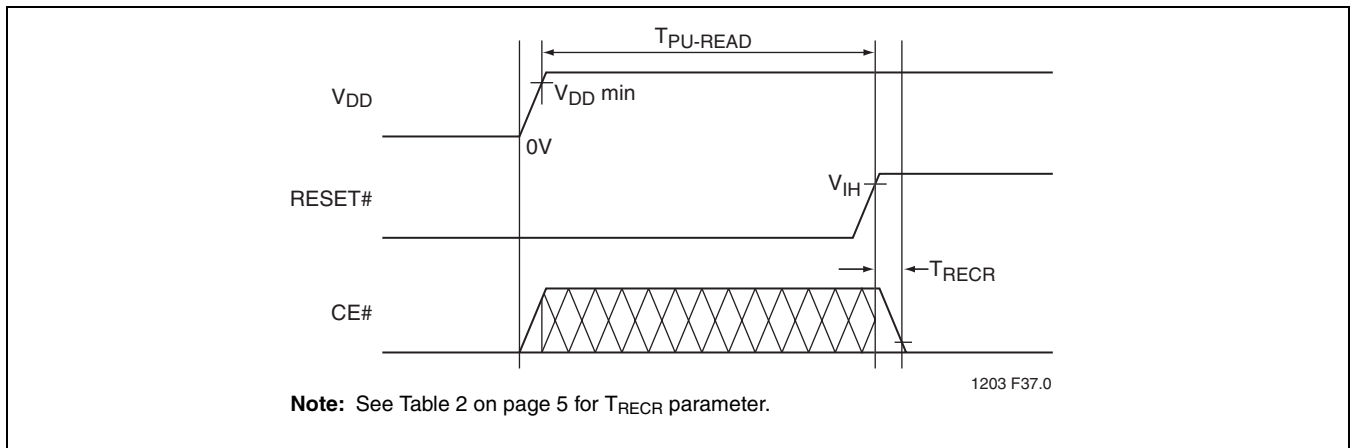
All functionalities and DC specifications are specified for a  $V_{DD}$  ramp rate of greater than 1V per 100 ms (0V to 3V in less than 300 ms). If the  $V_{DD}$  ramp rate is slower than 1V/100 ms, a hardware reset is required. The recommended  $V_{DD}$  power-up to RESET# high time should be greater than 100  $\mu$ s to ensure a proper reset. See Table 14 and Figures 26 and 27 for more information.

**TABLE 14: Recommended System Power-up Timings**

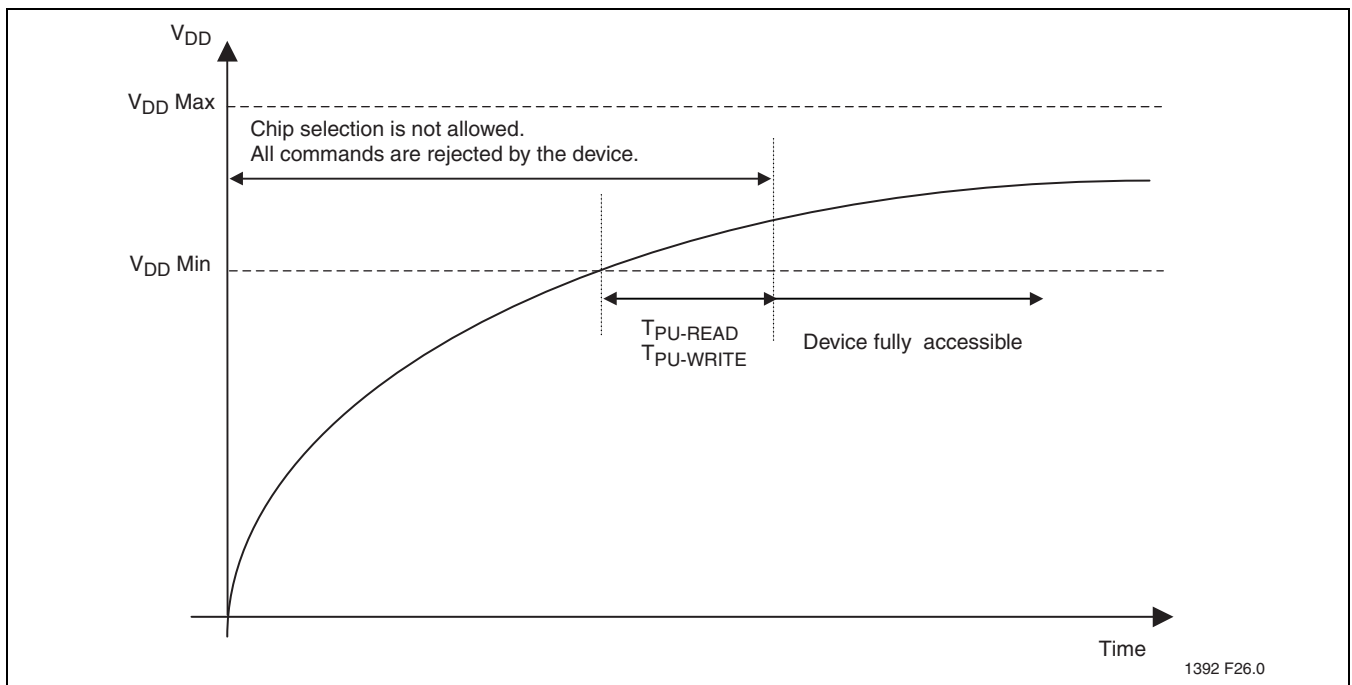
Symbol	Parameter	Minimum	Units
$T_{PU-READ}^1$	$V_{DD}$ Min to Read Operation	100	$\mu$ s
$T_{PU-WRITE}^1$	$V_{DD}$ Min to Write Operation	100	$\mu$ s

T14.0 1392

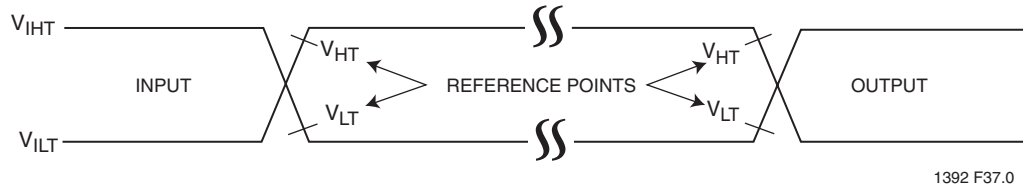
1. This parameter is measured only for initial qualification and after a design or process change that could affect this parameter.



**FIGURE 26: Power-Up Reset Diagram**



**FIGURE 27: Power-up Timing Diagram**



AC test inputs are driven at  $V_{IHT}$  ( $0.9V_{DD}$ ) for a logic "1" and  $V_{ILT}$  ( $0.1V_{DD}$ ) for a logic "0". Measurement reference points for inputs and outputs are  $V_{HT}$  ( $0.6V_{DD}$ ) and  $V_{LT}$  ( $0.4V_{DD}$ ). Input rise and fall times (10%  $\leftrightarrow$  90%) are  $<5$  ns.

**Note:**  $V_{HT}$  -  $V_{HIGH}$  Test  
 $V_{LT}$  -  $V_{LOW}$  Test  
 $V_{IHT}$  -  $V_{INPUT HIGH}$  Test  
 $V_{ILT}$  -  $V_{INPUT LOW}$  Test

FIGURE 28: AC Input/Output Reference Waveforms



PACKAGING DIAGRAMS

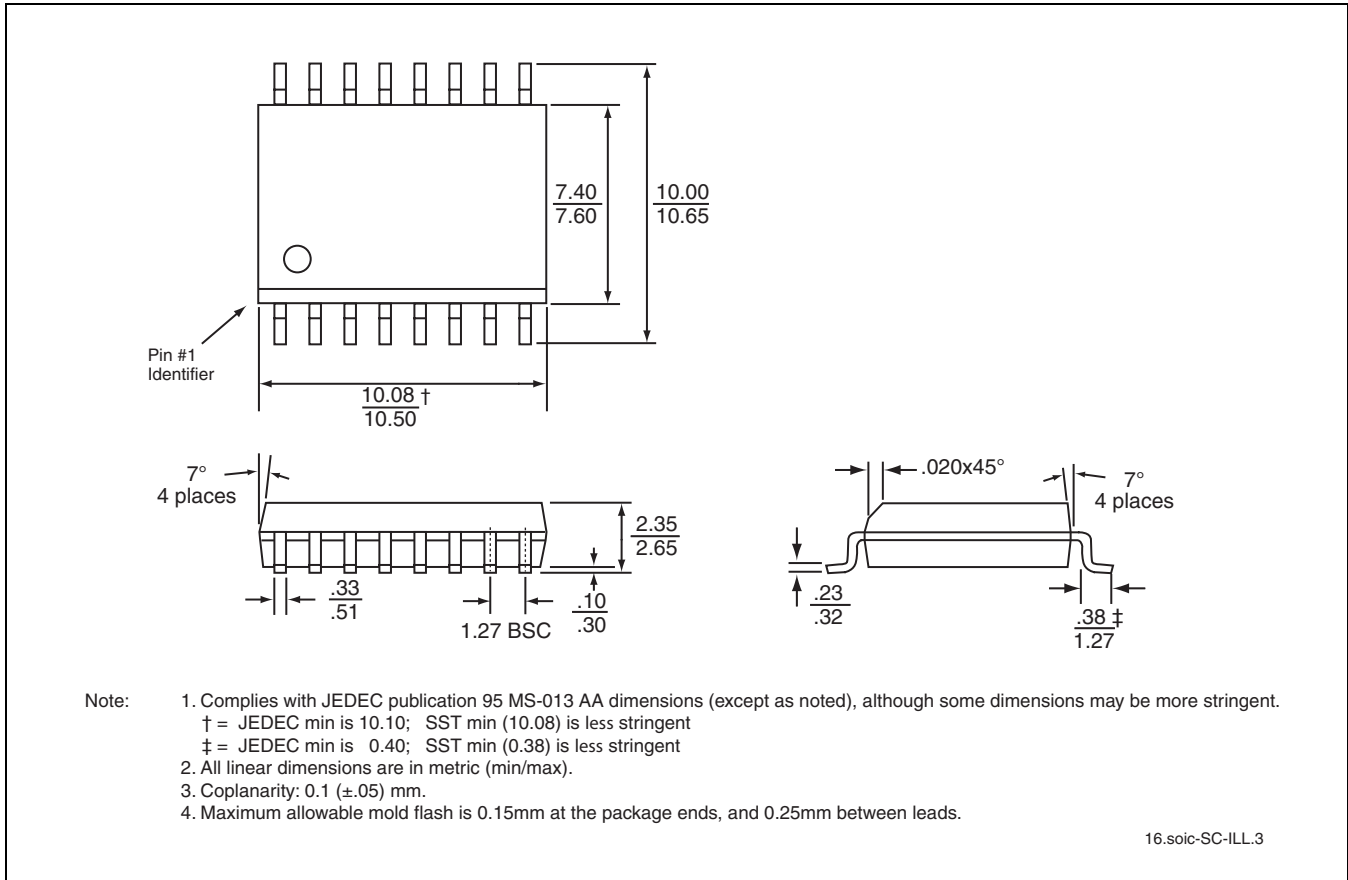
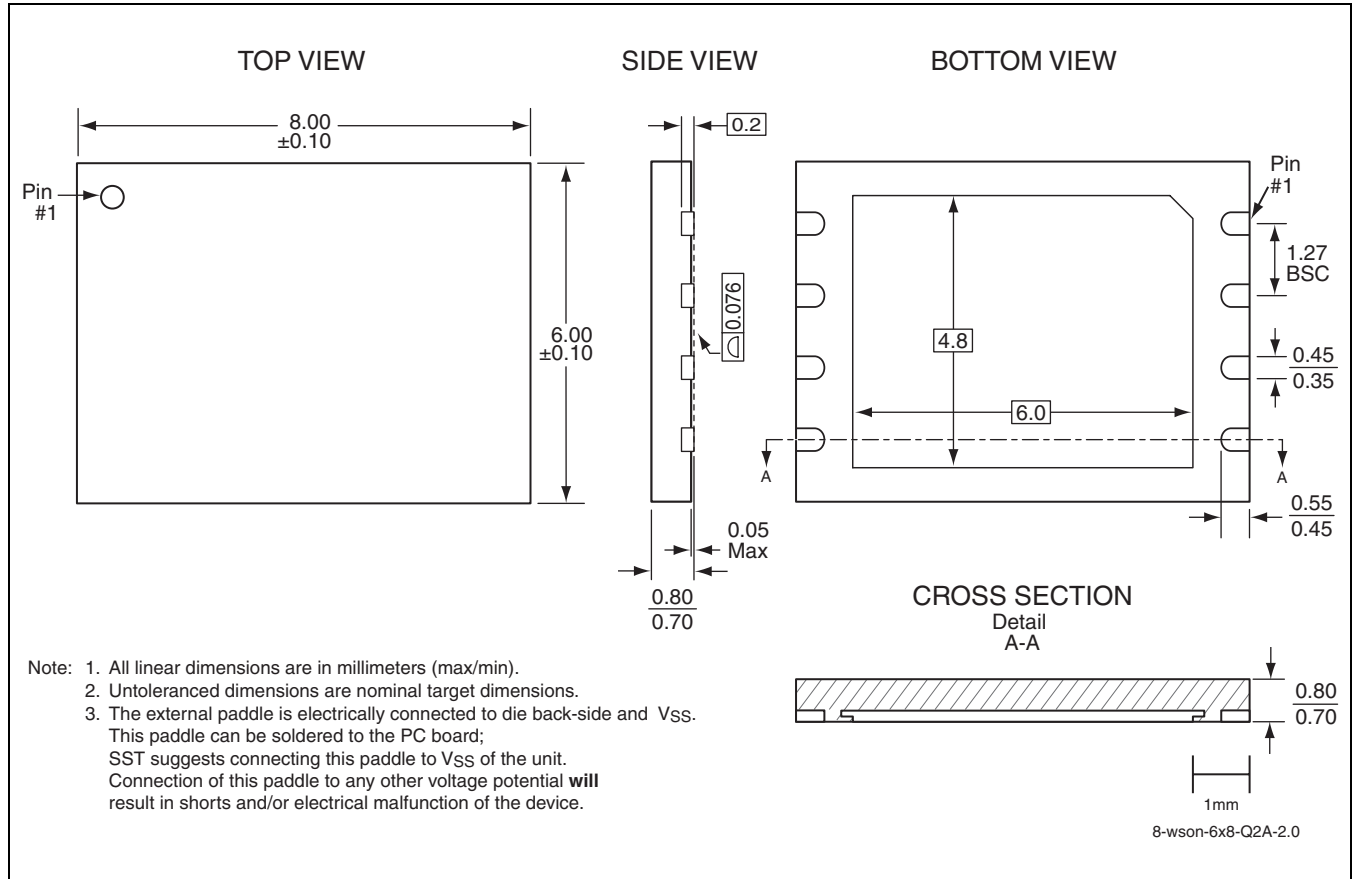


FIGURE 29: 16-Lead Plastic Small Outline Integrated Circuit (SOIC)  
SST Package Code SC

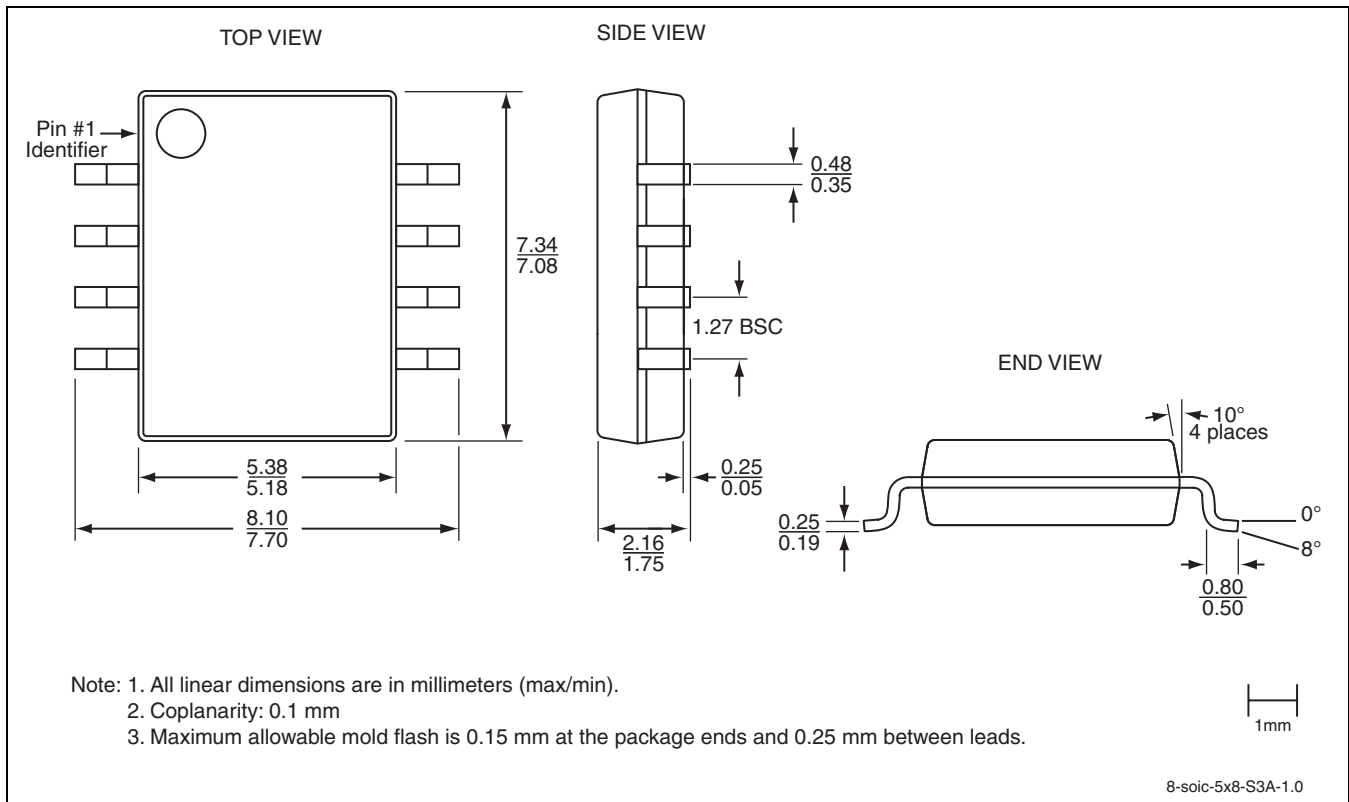


# 64 Mbit SPI Serial Dual I/O Flash SST25VF064C

## Data Sheet



**FIGURE 30: 8-Contact Very-very-thin Small Outline No-lead (WSON)  
SST Package Code: Q2A**



**FIGURE 31: 8-Lead Small Outline Integrated Circuit (SOIC)  
SST Package Code S3A**

**TABLE 15: Revision History**

Number	Description	Date
00	• Initial release of data sheet	Sep 2008
01	• Added 8-contact WSON Q2A package • Added Security ID information throughout • Updated Table 6 on page 9 • Revised “Fast-Read Dual-Output (75 MHz)” on page 11 and “Fast-Read Dual I/O (50 MHz)” on page 12. • Modified Figure 8 on page 11. • Updated Table 13 on page 24 • Added Commercial temperature range in Features, page 1; Operating Range, page 23; and Product Ordering Information, page 28	Apr 2009
02	• Added 8-lead SOIC S3A package	Sep 2009
03	• Changed Max Value of I <sub>DDR2</sub> and I <sub>DDW</sub> to 25mA in Table 10 on page 23	Dec 2009
04	• Revised Table 6 on page 9 • Updated address information on page 31.	Apr 2010