

## Features

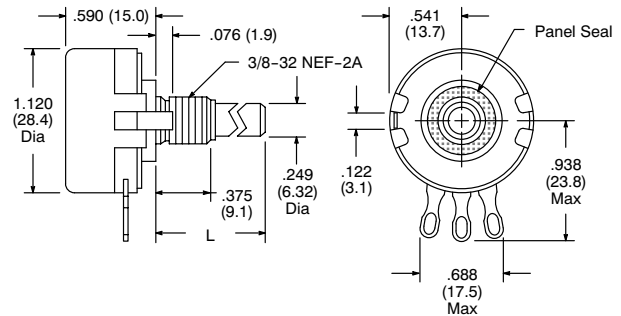
- Hot molded carbon element
- Gold plated terminals
- Stainless steel shaft and housing
- Available in Linear (KU) and Logarithmic (KA) taper
- Meets or exceeds specifications of MIL-R-94 — QPL Listed



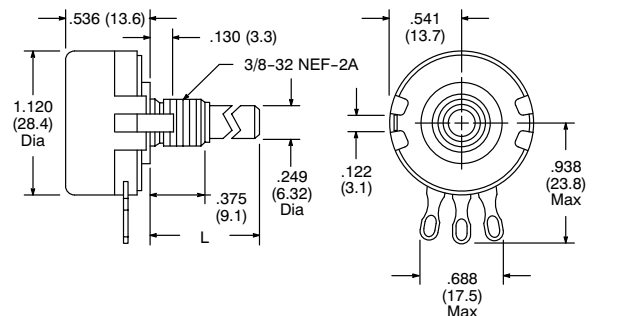
# PEC KA/KU/RV4NAY Series

## Potentiometer – 2 Watt, 1/4" dia. shaft

### P1



### P2



L = Shaft Length (See Table)

## Specifications

### Electrical

**Resistance Range – Linear Taper (KU):** 50Ω to 1 Meg Ω  
**– Logarithmic Taper (KA):** 10KΩ to 1 Meg Ω

**Resistance Tolerance:** ±10%

**Power Rating:** 2 Watts @ 70°C derated to 0 Watts @ 120°C

**Insulation Resistance:** 10K Meg Ω (Dry)  
 100K Meg Ω (Wet)

**Dielectric Strength:** 900V RMS at sea level

**Operating Voltage:** 500V subject to power rating

### Mechanical

**Mechanical Rotation:** 314°

**Operating Torque:** 1 oz/in to 6 oz/in

**Rotation Life:** 25,000 cycles

### Environmental

**Operating Temperature:** -65°C to +125°C

**Resistance to Soldering Heat:** 350°C for 5 seconds

**Load Life:** 1000 hr. at 70°C

| PEC No.   | NTE Part No. | Military No. | Value (Ohms) | Shaft Length | Diag No. |
|-----------|--------------|--------------|--------------|--------------|----------|
| KU5001S28 | 501-0001     | RV4NAYSD500A | 50           | 7/8"         | P1       |
| KU1011S28 | 501-0002     | RV4NAYSD101A | 100          | 7/8"         | P1       |
| KU1511S28 | 501-0048     | RV4NAYSD151A | 150          | 7/8"         | P1       |
| KU2011S28 | 501-0051     | RV4NAYSD201A | 200          | 7/8"         | P1       |
| KU2511S28 | 501-0003     | RV4NAYSD251A | 250          | 7/8"         | P1       |
| KU5011S28 | 501-0004     | RV4NAYSD501A | 500          | 7/8"         | P1       |
| KU1021S28 | 501-0005     | RV4NAYSD102A | 1K           | 7/8"         | P1       |
| KU2021S28 | 501-0006     | RV4NAYSD202A | 2K           | 7/8"         | P1       |
| KU2521S28 | 501-0007     | RV4NAYSD252A | 2.5K         | 7/8"         | P1       |
| KU3521S28 | 501-0008     | RV4NAYSD352A | 3.5K         | 7/8"         | P1       |
| KU5021S28 | 501-0009     | RV4NAYSD502A | 5K           | 7/8"         | P1       |
| KU1031S28 | 501-0010     | RV4NAYSD103A | 10K          | 7/8"         | P1       |
| KA1031S28 | 501-0021**   | RV4NAYSD103C | 10K          | 7/8"         | P1       |
| KU2031S28 | 501-0011     | RV4NAYSD203A | 20K          | 7/8"         | P1       |
| KU2531S28 | 501-0012     | RV4NAYSD253A | 25K          | 7/8"         | P1       |
| KA2531S28 | 501-0022**   | RV4NAYSD253C | 25K          | 7/8"         | P1       |
| KU3531S28 | 501-0013     | RV4NAYSD353A | 35K          | 7/8"         | P1       |
| KU5031S28 | 501-0014     | RV4NAYSD503A | 50K          | 7/8"         | P1       |
| KU1041S28 | 501-0015     | RV4NAYSD104A | 100K         | 7/8"         | P1       |
| KA1041S28 | 501-0023**   | RV4NAYSD104C | 100K         | 7/8"         | P1       |
| KU1541S28 | 501-0049     | RV4NAYSD154A | 150K         | 7/8"         | P1       |
| KU2041S28 | 501-0016     | RV4NAYSD204A | 200K         | 7/8"         | P1       |
| KU2541S28 | 501-0017     | RV4NAYSD254A | 250K         | 7/8"         | P1       |
| KA2541S28 | 501-0024**   | RV4NAYSD254C | 250K         | 7/8"         | P1       |
| KU5041S28 | 501-0018     | RV4NAYSD504A | 500K         | 7/8"         | P1       |
| KA5041S28 | 501-0025**   | RV4NAYSD504C | 500K         | 7/8"         | P1       |
| KU1051S28 | 501-0019     | RV4NAYSD105A | 1M           | 7/8"         | P1       |
| KA1051S28 | 501-0026**   | RV4NAYSD105C | 1M           | 7/8"         | P1       |
| KU5051S28 | 501-0020     | RV4NAYSD505B | 5M           | 7/8"         | P1       |
| KU5001S64 | 501-0030     | RV4NAYSJ500A | 50           | 2"           | P2       |
| KU1011S64 | 501-0031     | RV4NAYSJ101A | 100          | 2"           | P2       |
| KU2511S64 | 501-0032     | RV4NAYSJ251A | 250          | 2"           | P2       |
| KU5011S64 | 501-0033     | RV4NAYSJ501A | 500          | 2"           | P2       |
| KU1021S64 | 501-0034     | RV4NAYSJ102A | 1K           | 2"           | P2       |
| KU2021S64 | 501-0035     | RV4NAYSJ202A | 2K           | 2"           | P2       |
| KU2521S64 | 501-0036     | RV4NAYSJ252A | 2.5K         | 2"           | P2       |
| KU3521S64 | 501-0037     | RV4NAYSJ352A | 3.5K         | 2"           | P2       |
| KU5021S64 | 501-0038     | RV4NAYSJ502A | 5K           | 2"           | P2       |
| KU1031S64 | 501-0039     | RV4NAYSJ103A | 10K          | 2"           | P2       |
| KU2031S64 | 501-0040     | RV4NAYSJ203A | 20K          | 2"           | P2       |
| KU2531S64 | 501-0041     | RV4NAYSJ253A | 25K          | 2"           | P2       |
| KU5031S64 | 501-0042     | RV4NAYSJ503A | 50K          | 2"           | P2       |
| KU1041S64 | 501-0043     | RV4NAYSJ104A | 100K         | 2"           | P2       |
| KU2041S64 | 501-0044     | RV4NAYSJ204A | 200K         | 2"           | P2       |
| KU2541S64 | 501-0045     | RV4NAYSJ254A | 250K         | 2"           | P2       |
| KU5041S64 | 501-0046     | RV4NAYSJ504A | 500K         | 2"           | P2       |
| KU1051S64 | 501-0047     | RV4NAYSJ105A | 1M           | 2"           | P2       |

\*\* Indicates logarithmic taper.