



SANYO Semiconductors

# DATA SHEET

## LA9247T

Monolithic Linear IC

## CD-ROM Digital Servo RF IC

### Overview

The LA9247T is a CD-ROM digital servo RF IC that supports speeds up to 52x.

### Functions

- RF amplifier (with AGC), RF gain amplifier (supports playback of CD-RW discs).
- RF equalizer circuit (with 7 modes), RF hold function.
- PH/BH detection, FE amplifier, REFL amplifier, TE amplifier.
- Servo signal VCA circuit (balance adjustment, SGC adjustment), midpoint servo (CSS) amplifier.
- APC circuit (with laser power amplifier function), sleep function.

### Specifications

**Maximum Ratings** at  $T_a = 25^\circ\text{C}$ , Pin 4, 31 = GND

Parameter	Symbol	Conditions	Ratings	Unit
Maximum supply voltage	$V_{CC \text{ max}}$		7.0	V
Allowable power dissipation	$P_d \text{ max}$		300	mW
Operating temperature	$T_{opr}$		-25 to +70	$^\circ\text{C}$
Storage temperature	$T_{stg}$		-40 to +150	$^\circ\text{C}$

**Operating Conditions** at  $T_a = 25^\circ\text{C}$ , Pin 4, 31 = GND

Parameter	Symbol	Conditions	Ratings	Unit
Recommended operating voltage	$V_{CC}$		5.0	V
Allowable operating voltage range	$V_{CC \text{ op}}$		4.5 to 5.5	V

- Any and all SANYO Semiconductor products described or contained herein do not have specifications that can handle applications that require extremely high levels of reliability, such as life-support systems, aircraft's control systems, or other applications whose failure can be reasonably expected to result in serious physical and/or material damage. Consult with your SANYO Semiconductor representative nearest you before using any SANYO Semiconductor products described or contained herein in such applications.
- SANYO Semiconductor assumes no responsibility for equipment failures that result from using products at values that exceed, even momentarily, rated values (such as maximum ratings, operating condition ranges, or other parameters) listed in products specifications of any and all SANYO Semiconductor products described or contained herein.

**SANYO Semiconductor Co., Ltd.**

TOKYO OFFICE Tokyo Bldg., 1-10, 1 Chome, Ueno, Taito-ku, TOKYO, 110-8534 JAPAN

92706 / O2505 MS OT B8-7032, B8-7124 No.N8219-1/6

# LA9247T

**Operating Characteristics** at  $T_a = 25^\circ\text{C}$ ,  $V_{CC}$  (pin 23, 34) = 5V,  $V_{CC3}$  (pin 6) = 3.3V, GND (pin 4, 31) = 0 V

Parameter	Symbol	Conditions	Ratings			Unit
			min	typ	max	
Current drain	$I_{CC}$	No signal	24	36	48	mA
Current drain (sleep mode)	$I_{CCS}$	No signal, EQS = 0V	1.5	5	8.5	mA
Reference voltage	VR		2.3	2.5	2.7	V
Reference voltage	VR2		1.5	1.65	1.8	V
Preamp offset	RFAOost	The difference with VR for RFAO	-120	0	120	mV
RF no signal voltage	RFSM	RFIN = VR	1.6	1.9	2.2	V
RF gain (min)	RFG1	GHS = 0V	0	2.5	5.0	dB
RF gain (max)	RFG2	GHS = 0V	14.5	16.5	18.5	dB
RF gain (UP)	RFRW	GHS = 3.3V	+10.5	+14.0	+17.5	dB
RFEQ - normal	RFEQN	The difference in RFSM when RFIN is 100mVp-p, f = 1MHz and 100mVp-p, f = 100kHz. EQS = 3.3V	+0.5	+2.75	+5.0	dB
RFEQ-CAV1	RFEQ1	The difference in RFSM when RFIN is 100mVp-p, f = 2.4MHz and 100mVp-p, f = 100kHz. EQS = 2.7V	+0.5	+2.75	+5.0	dB
RFEQ-CAV2	RFEQ2	The difference in RFSM when RFIN is 100mVp-p, f = 4.3MHz and 100mVp-p, f = 100kHz. EQS = 2.2V	+0.5	+2.75	+5.0	dB
RFEQ-CAV3	RFEQ3	The difference in RFSM when RFIN is 100mVp-p, f = 8MHz and 100mVp-p, f = 100kHz. EQS = 1.8V	+0.5	+2.75	+5.0	dB
RFEQ-CAV4	RFEQ4	The difference in RFSM when RFIN is 100mVp-p, f = 12MHz and 100mVp-p, f = 100kHz. EQS = 1.5V	+0.5	+2.75	+5.0	dB
RFEQ-CAV5	RFEQ5	The difference in RFSM when RFIN is 100mVp-p, f = 24MHz and 100mVp-p, f = 100kHz. EQS=1.1V	+0.5	+2.75	+5.0	dB
RFEQ-CAV6	RFEQ6	The difference in RFSM when RFIN is 100mVp-p, f = 35MHz and 100mVp-p, f = 100kHz. EQS = 0.7V	+0.5	+2.75	+5.0	dB
RF hold	RFHLD	RFIN: 1.5Vp-p, f = 100kHz, RHLD = 3.3V	-13.5	-11.0	-8.5	dB
PH	PH	RFIN = VR	0.65	0.9	1.15	V
BH	BH	RFIN = VR	0.65	0.9	1.15	V
$\Delta$ BHL (frequency characteristics)	$\Delta$ BHL	RFIN = VR, $\Delta$ BHL = BH (600kHz) - BH (10kHz) EQS = 2.7V or 3.3V	-5.5	-3.0	-0.5	dB
$\Delta$ BHH (frequency characteristics)	$\Delta$ BHH	RFIN = VR, $\Delta$ BHH = BH (100kHz) - BH (10kHz) EQS = 2.2V, 1.8V, 1.5V, 1.1V, 0.7V	-5.5	-3.0	-0.5	dB
REFL offset	REFL <sub>ost</sub>	The difference with VR2 for REFL	-120	0	120	mV
REFL gain 1	REFL1	A, B, C, D = $V_{IN}$ , 10kHz, SGC = 1.3V, FBAL = VR2, GHS = 0V	8.5	11	13.5	dB
REFL gain 2	REFL2	A, B, C, D = $V_{IN}$ , 10kHz, SGC = 2V, FBAL = VR2, GHS = 0V	15.5	18.0	20.5	dB
REFL gain UP	REFLGUP	GHS = 3.3V	+10.5	+14.0	+17.5	dB
$\Delta$ REFL (frequency characteristics)	$\Delta$ REFL	A, C = $V_{IN}$ , B, D = VR SGC = VR2, FBAL = VR2, GHS = 0V $\Delta$ REFL = REFL (100kHz) - REFL (10kHz)	-8.5	-6.0	-3.5	dB
FE offset	FE <sub>ost</sub>	The difference with VR2 for FE	-120	0	120	mV
FE gain 1	FEG1	A, C = $V_{IN}$ , 10kHz, B, D = VR SGC = 1.3V, FBAL = VR2, GHS = 0V	8.5	11.0	13.5	dB
FE gain 2	FEG2	A, C = $V_{IN}$ , 10kHz, B, D = VR SGC = 2V, FBAL = VR2, GHS = 0V	15.5	18.0	20.5	dB
FE balance 1	FBAL1	A, C = $V_{IN}$ , 10kHz, B, D = VR SGC = VR2, FBAL = 1.3V, GHS = 0V	15.5	18.0	20.5	dB
FE balance 2	FBAL2	A, C = $V_{IN}$ , 10kHz, B, D = VR SGC = VR2, FBAL = 2V, GHS = 0V	12.0	14.5	17.0	dB
FE gain UP	FEGUP	GHS = 3.3V	+10.5	+14.0	+17.5	dB
$\Delta$ FE (frequency characteristics)	$\Delta$ FE	A, C = $V_{IN}$ , B, D = VR SGC = VR2, FBAL = VR2, GHS = 0V $\Delta$ FE = FE (130kHz) - FE (10kHz)	-8.5	-6.0	-3.5	dB

Continued on next page.

# LA9247T

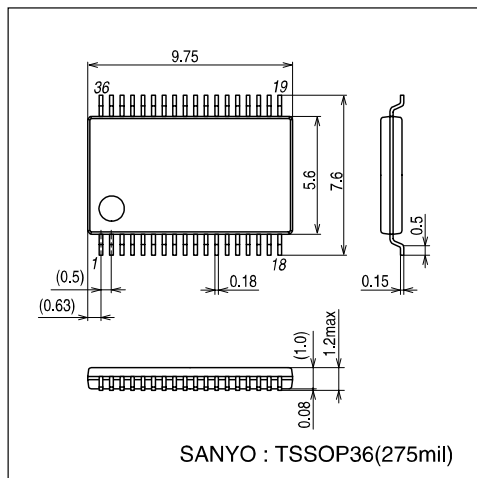
Continued from preceding page.

Parameter	Symbol	Conditions	Ratings			Unit
			min	typ	max	
TE offset	TEost	The difference with VR2 for TE	-120	0	120	mV
TE gain 1	TEG1	E = V <sub>IN</sub> , 10kHz, F = VR SGC = 1.3V, TBAL = VR2, GHS = 0V	13.0	15.5	18.0	dB
TE gain 2	TEG2	E = V <sub>IN</sub> , 10kHz, F = VR SGC = 2V, TBAL = VR2, GHS = 0V	15.5	18.0	20.5	dB
TE balance 1	TBAL1	E = V <sub>IN</sub> , 10kHz, F = VR SGC = VR2, TBAL = 1.3V, GHS = 0V	15.5	18.0	20.5	dB
TE balance 2	TBAL2	E = V <sub>IN</sub> , 10kHz, F = VR SGC = VR2, TBAL = 2V, GHS = 0V	13.0	15.5	18.0	dB
TE gain UP	TEGUP	GHS = 3.3V	+10.5	+14.0	+17.5	dB
ΔTE (frequency characteristics)	ΔTE	E = V <sub>IN</sub> , 10kHz, F = VR2 SGC = VR2, FBAL = VR2, GHS = 0V ΔTE = TE (150kHz) - TE (10kHz)	-8.5	-6.0	-3.5	dB
TS offset	TSost	The difference with VR2 for TS	-120	0	120	mV
TS gain 1	TSG1	E = V <sub>IN</sub> , 10kHz, F = VR SGC = VR2, TBAL = VR2, GHS = 0V	13.0	15.5	18.0	dB
TS gain 2	TSG2	E = V <sub>IN</sub> , 10kHz, F = VR SGC = 1.3V, TBAL = VR2, GHS = 0V	9.0	11.5	14.0	dB
TS balance 1	TSBAL1	E = V <sub>IN</sub> , 10kHz, F = VR SGC = VR2, TBAL = 1.3V, GHS = 0V	14.0	16.5	19.0	dB
TS balance 2	TSBAL2	E = V <sub>IN</sub> , 10kHz, F = VR SGC = VR2, TBAL = 2V, GHS = 0V	11.5	14.0	16.5	dB
TS gain UP	TSGUP	GHS = 3.3V	+10.5	+14.0	+17.5	dB
ΔTS (frequency characteristics)	ΔTS	E = V <sub>IN</sub> , F = VR SGC = VR2, FBAL = VR2, GHS = 0V ΔTS = TS (250kHz) - TS (10kHz)	-8.5	-6.0	-3.5	dB
CSS gain	CSS	A, D = V <sub>IN</sub> , 10kHz, B, C = VR SGC = VR2, FBAL = VR2, GHS = 0V	14.0	16.5	19.0	dB
ΔCSS (frequency characteristics)	ΔCSS	A, D = V <sub>IN</sub> , B, C = VR SGC = VR2, FBAL = VR2, GHS = 0V ΔCSS = CSS (100kHz) - CSS (10kHz)	-5.5	-3.0	-0.5	dB
APC reference voltage 1	LDSL	The LDS voltage such that LDD becomes 3V LDON = 0V	160	190	220	mV
APC reference voltage 2	LDSH	The LDS voltage such that LDD becomes 3V LDON = 3.3V	180	230	280	mV
APC off voltage	LDD	LDON = VR	3.9	4.3	5	V

## Package Dimensions

unit : mm

3253B



# LA9247T

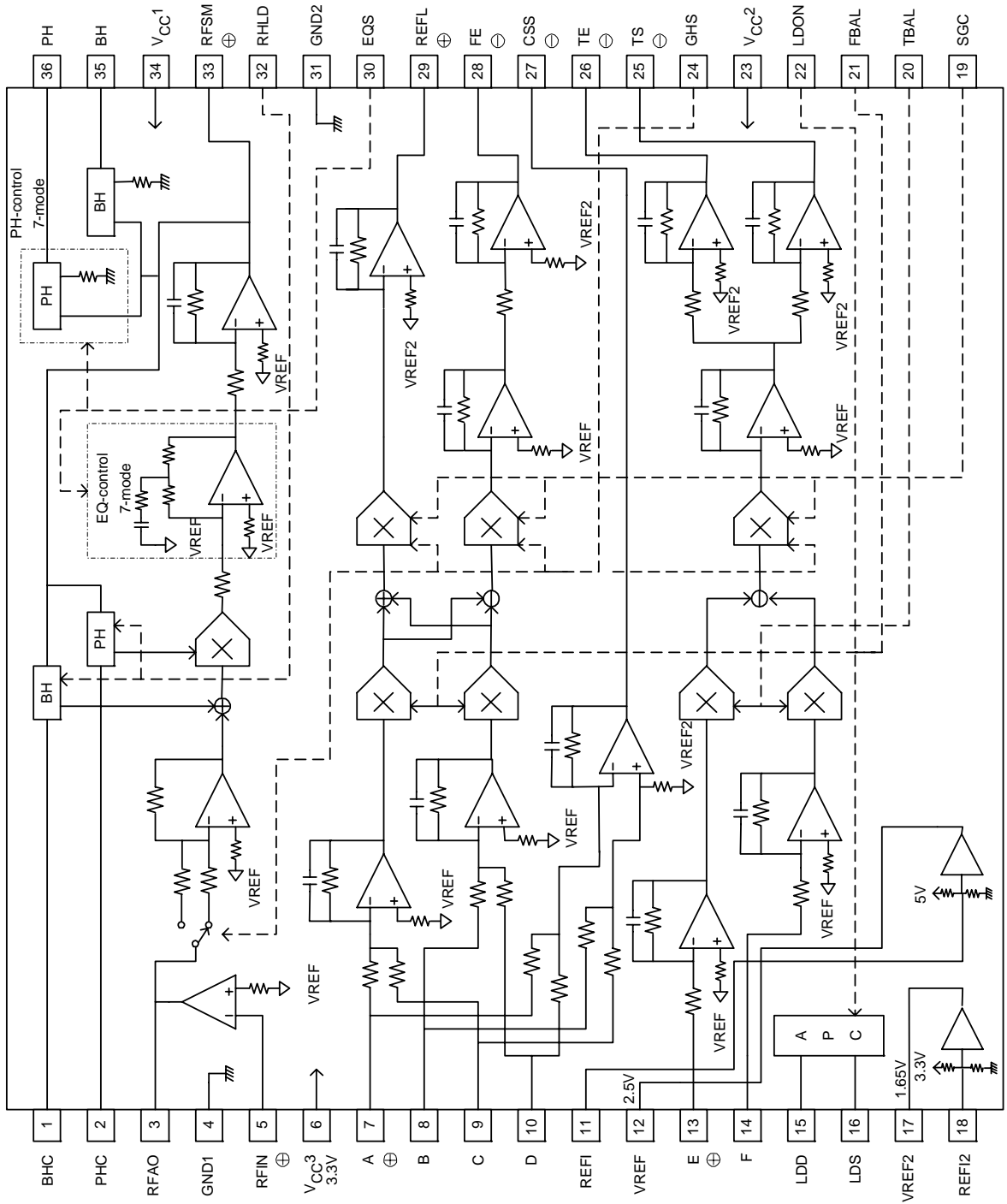
## Pin Functions

Pin No.	Symbol	I/O	Description
1	BHC		RF AGC detection bottom hold capacitor connection
2	PHC		RF AGC detection peak hold capacitor connection
3	RFAO	O	RF amplifier output
4	GND1	I	RF signal system ground
5	RFIN	I	Pickup voltage output connection. Inputs the RF addition signal from the pickup.
6	V <sub>CC3</sub>	I	3.3V system V <sub>CC</sub>
7	A	I	Pickup voltage output connection. Generates the FE, REFL, and CSS signals.
8	B	I	Pickup voltage output connection. Generates the FE, REFL, and CSS signals.
9	C	I	Pickup voltage output connection. Generates the FE, REFL, and CSS signals.
10	D	I	Pickup voltage output connection. Generates the FE, REFL, and CSS signals.
11	REFI		Reference voltage bypass capacitor connection
12	VREF	O	Reference voltage output (Vref1 = 2.5V)
13	E	I	Pickup voltage output connection. Generates the TE and TS signals.
14	F	I	Pickup voltage output connection. Generates the TE and TS signals.
15	LDD	O	APC circuit output
16	LDS	I	APC circuit input
17	VREF2	O	Reference voltage output (Vref2 = 1.65V)
18	REFI2		Reference voltage bypass capacitor connection
19	SGC	I	Servo gain control (FE, TE, TS, and REFL signals)
20	TBAL	I	TE balance adjustment (TE and TS signals)
21	FBAL	I	FE balance adjustment (FE signal)
22	LDON	I	Laser on/off, laser power increase control
23	V <sub>CC2</sub>	I	Servo signal system V <sub>CC</sub> (5V)
24	GHS	I	RF and servo signal gain switch (0dB or +14dB)
25	TS	O	TS signal (used for the TES signal) output (to the DSP)
26	TE	O	TE signal output (to the DSP)
27	CSS	O	Center servo signal output (to the DSP)
28	FE	O	FE signal output (to the DSP)
29	REFL	O	Reflection signal output (to the DSP)
30	EQS	I	RF equalizer and PH detection time constant control
31	GND2	I	Servo signal system ground
32	RHLD	I	RF hold control
33	RFSM	O	EFM signal output (to the DSP)
34	V <sub>CC1</sub>	I	RF signal system V <sub>CC</sub> (5V)
35	BH	O	RF bottom hold signal output (to the DSP)
36	PH	O	RF peak hold signal output (to the DSP)

## Usage Notes

The signal levels of the inputs to the A (pin 7), B (pin 8), C (pin 9), D (pin 10), E (pin 13), and F (pin 14) pins must be set up to be above the reference voltage (VREF).

Block Diagram



⊕ ⊖ ← These symbols indicate the phase relationship.

- Specifications of any and all SANYO Semiconductor products described or contained herein stipulate the performance, characteristics, and functions of the described products in the independent state, and are not guarantees of the performance, characteristics, and functions of the described products as mounted in the customer's products or equipment. To verify symptoms and states that cannot be evaluated in an independent device, the customer should always evaluate and test devices mounted in the customer's products or equipment.
- SANYO Semiconductor Co., Ltd. strives to supply high-quality high-reliability products. However, any and all semiconductor products fail with some probability. It is possible that these probabilistic failures could give rise to accidents or events that could endanger human lives, that could give rise to smoke or fire, or that could cause damage to other property. When designing equipment, adopt safety measures so that these kinds of accidents or events cannot occur. Such measures include but are not limited to protective circuits and error prevention circuits for safe design, redundant design, and structural design.
- In the event that any or all SANYO Semiconductor products (including technical data, services) described or contained herein are controlled under any of applicable local export control laws and regulations, such products must not be exported without obtaining the export license from the authorities concerned in accordance with the above law.
- No part of this publication may be reproduced or transmitted in any form or by any means, electronic or mechanical, including photocopying and recording, or any information storage or retrieval system, or otherwise, without the prior written permission of SANYO Semiconductor Co., Ltd.
- Any and all information described or contained herein are subject to change without notice due to product/technology improvement, etc. When designing equipment, refer to the "Delivery Specification" for the SANYO Semiconductor product that you intend to use.
- Information (including circuit diagrams and circuit parameters) herein is for example only; it is not guaranteed for volume production. SANYO Semiconductor believes information herein is accurate and reliable, but no guarantees are made or implied regarding its use or any infringements of intellectual property rights or other rights of third parties.

This catalog provides information as of October, 2005. Specifications and information herein are subject to change without notice.