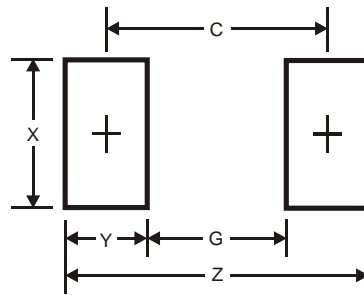
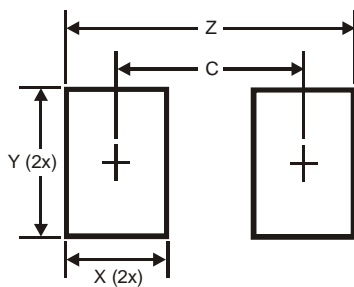


X1-DFN1006-2 / X2-DFN1006-2 / MiniMELF / MELF / SOD323 / SOD123 / SOD523 / SMA / SMB / SMC



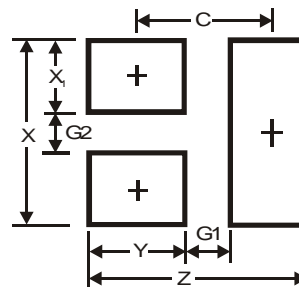
Dimensions	X1-DFN1006-2 / X2-DFN1006-2	MiniMELF	MELF	SOD123	SOD323	SOD523	SMA	SMB	SMC
Z	1.1	4.7	6.3	4.9	3.75	2.3	6.5	6.8	9.4
G	0.3	2.1	3.3	2.5	1.05	1.1	1.5	1.8	4.4
X	0.7	1.7	2.7	0.7	0.65	0.8	1.7	2.3	3.3
Y	0.4	1.3	1.5	1.2	1.35	0.6	2.5	2.5	2.5
C	0.7	3.5	4.8	3.7	2.40	1.7	4.0	4.3	6.8

X3-DFN0603-2



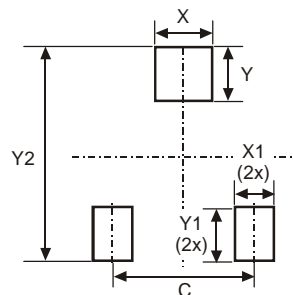
Dimensions	Value (in mm)
C	0.355
X	0.230
Y	0.300
Z	0.610

X1-DFN1006-3 / X2-DFN1006-3



Dimensions	Value (in mm)
Z	1.1
G1	0.3
G2	0.2
X	0.7
X1	0.25
Y	0.4
C	0.7

X1-DFN1212-3

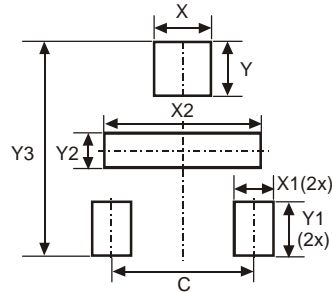


Dimensions	Value (in mm)
C	0.80
X	0.42
X1	0.32
Y	0.50
Y1	0.50
Y2	1.50

ALL DIMENSIONS ARE NOMINAL VALUES SHOWN IN MILLIMETERS

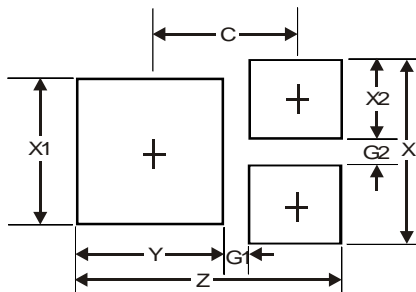
Note: The suggested land pattern dimensions have been provided for reference only, as actual pad layouts may vary depending on application. These numbers may be modified based on user equipment capability or fabrication criteria. A more robust pattern may be desired for wave soldering and is calculated by adding 0.2 mm to the 'Z' dimension. For further information, please reference document IPC-7351A, Naming Convention for Standard SMT Land Patterns, and for International grid details, please see document IEC, Publication 97.

**X1-DFN1212-3
Type B**



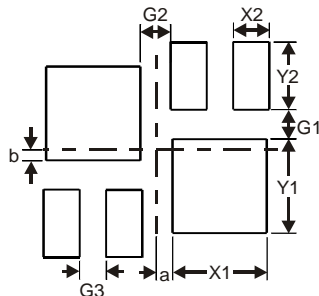
Dimensions	Value (in mm)
C	0.80
X	0.42
X1	0.32
X2	0.90
Y	0.50
Y1	0.50
Y2	0.20
Y3	1.50

X1-DFN1411-3



Dimensions	Value (in mm)
Z	1.38
G1	0.15
G2	0.15
X	0.95
X1	0.75
X2	0.40
Y	0.75
C	0.76

X1-DFN1612-6 / X2-DFN1310-6

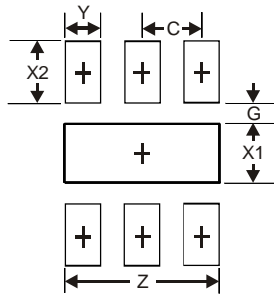


Dimensions	X1-DFN1612-6	X2-DFN1310-6
G1	0.15	0.16
G2	0.175	0.17
G3	0.15	0.15
X1	0.60	0.52
X2	0.25	0.20
Y1	0.65	0.52
Y2	0.45	0.375
a	0.10	0.09
b	0.15	0.06

ALL DIMENSIONS ARE NOMINAL VALUES SHOWN IN MILLIMETERS

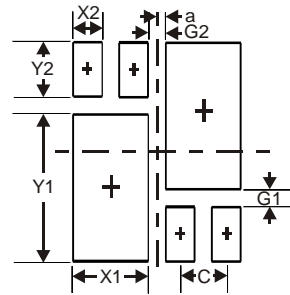
Note: The suggested land pattern dimensions have been provided for reference only, as actual pad layouts may vary depending on application. These numbers may be modified based on user equipment capability or fabrication criteria. A more robust pattern may be desired for wave soldering and is calculated by adding 0.2 mm to the 'Z' dimension. For further information, please reference document IPC-7351A, Naming Convention for Standard SMT Land Patterns, and for International grid details, please see document IEC, Publication 97.

U-DFN1616-6



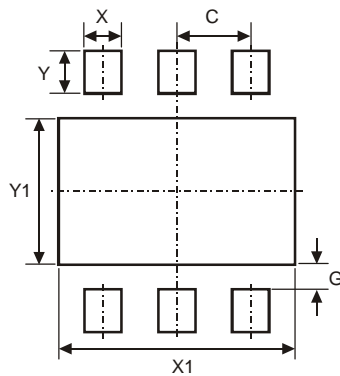
Dimensions	Value (in mm)
Z	1.3
G	0.175
X1	0.50
X2	0.525
Y	0.30
C	0.50

U-DFN1616-8



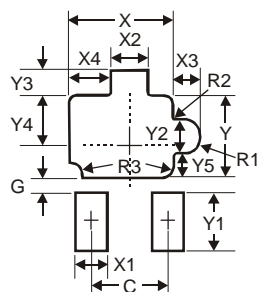
Dimensions	Value (in mm)
G1	0.15
G2	0.20
X1	0.65
X2	0.25
Y1	1.25
Y2	0.50
C	0.40
a	0.10

U-DFN2018-6



Dimensions	Value (in mm)
C	0.50
G	0.20
X	0.25
X1	1.60
Y	0.35
Y1	1.20

U-DFN2020-3

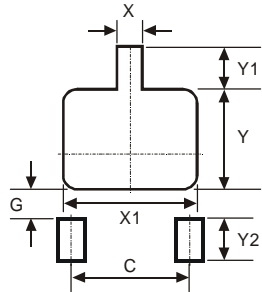


Dimensions	Value (in mm)	Dimensions	Value (in mm)
C	1.00	Y1	0.60
G	0.15	Y2	0.45
X	1.40	Y3	0.45
X1	0.35	Y4	0.698
X2	0.45	Y5	0.313
X3	0.322	R1	0.225
X4	0.60	R2	0.05
Y	1.10	R3	0.20

ALL DIMENSIONS ARE NOMINAL VALUES SHOWN IN MILLIMETERS

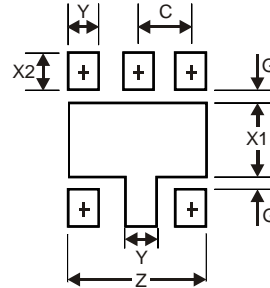
Note: The suggested land pattern dimensions have been provided for reference only, as actual pad layouts may vary depending on application. These numbers may be modified based on user equipment capability or fabrication criteria. A more robust pattern may be desired for wave soldering and is calculated by adding 0.2 mm to the 'Z' dimension. For further information, please reference document IPC-7351A, Naming Convention for Standard SMT Land Patterns, and for International grid details, please see document IEC, Publication 97.

**U-DFN2020-3
Type B**



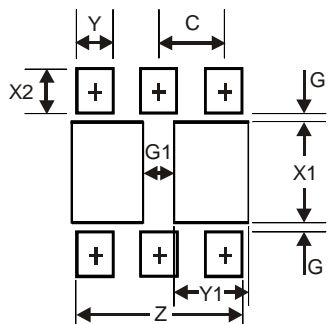
Dimensions	Value (in mm)
C	1.30
G	0.24
X	0.35
X1	1.52
Y	1.09
Y1	0.47
Y2	0.50

U-DFN2020-6



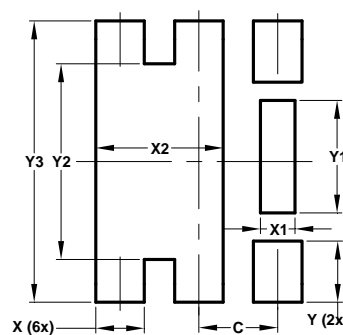
Dimensions	Value (in mm)
Z	1.67
G	0.15
X1	0.90
X2	0.45
Y	0.37
C	0.65

**U-DFN2020-6
Type B**



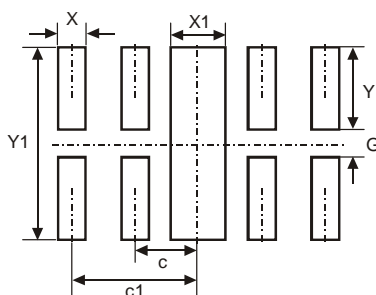
Dimensions	Value (in mm)
Z	1.67
G	0.20
G1	0.40
X1	1.0
X2	0.45
Y	0.37
Y1	0.70
C	0.65

**U-DFN2020-6
Type E**



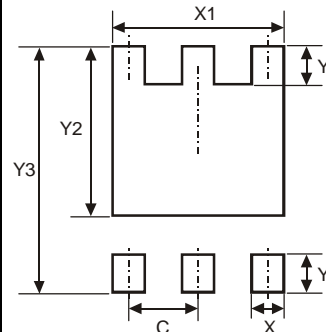
Dimensions	Value (in mm)
C	0.650
X	0.400
X1	0.285
X2	1.050
Y	0.500
Y1	0.920
Y2	1.600
Y3	2.300

U-DFN2510-8



Dimensions	Value (in mm)
c	0.5
c1	1.0
G	0.2
X	0.2
X1	0.4
Y	0.6
Y1	1.4

U-DFN2523-6

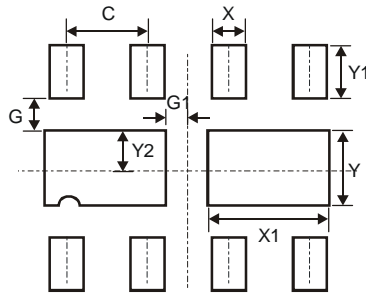


Dimensions	Value (in mm)
C	0.650
X	0.400
X1	1.700
Y	0.650
Y1	0.450
Y2	1.830
Y3	2.700

ALL DIMENSIONS ARE NOMINAL VALUES SHOWN IN MILLIMETERS

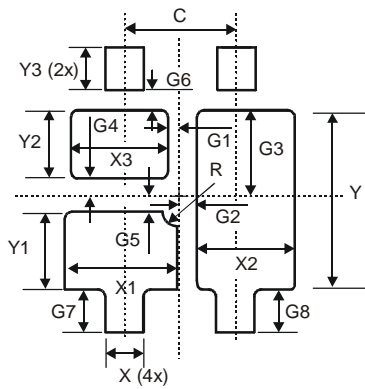
Note: The suggested land pattern dimensions have been provided for reference only, as actual pad layouts may vary depending on application. These numbers may be modified based on user equipment capability or fabrication criteria. A more robust pattern may be desired for wave soldering and is calculated by adding 0.2 mm to the 'Z' dimension. For further information, please reference document IPC-7351A, Naming Convention for Standard SMT Land Patterns, and for International grid details, please see document IEC, Publication 97.

W-DFN3020-8
Type B



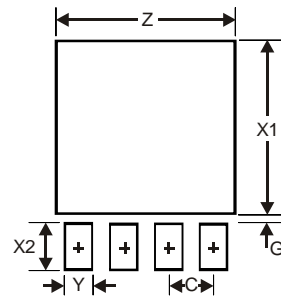
Dimensions	Value (in mm)
C	0.650
G	0.285
G1	0.090
X	0.400
X1	1.120
Y	0.730
Y1	0.500
Y2	0.365

U-DFN3030-4



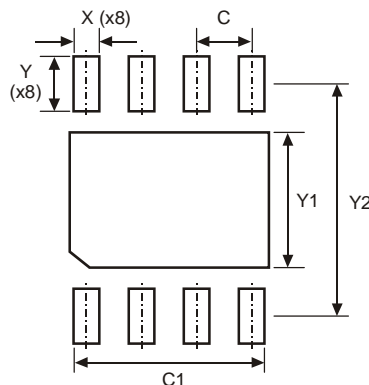
Dimensions	Value (in mm)
C	1.300
G1	0.100
G2	0.150
G3	0.830
G4	0.115
G5	0.135
G6	0.170
G7	0.500
G8	0.500
R	0.150
X	0.500
X1	1.375
X2	1.225
X3	1.175
Y	1.980
Y1	1.015
Y2	0.715
Y3	0.650

U-DFN3030-8



Dimensions	Value (in mm)
Z	2.59
G	0.11
X1	2.49
X2	0.65
Y	0.39
C	0.65

U-DFN3030-8
Type E

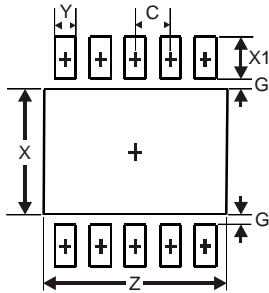


Dimensions	Value (in mm)
C	0.65
C1	2.35
X	0.30
Y	0.65
Y1	1.60
Y2	2.75

ALL DIMENSIONS ARE NOMINAL VALUES SHOWN IN MILLIMETERS

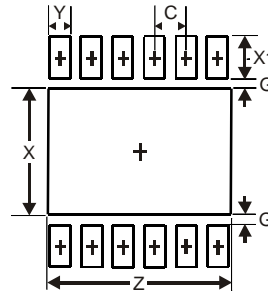
Note: The suggested land pattern dimensions have been provided for reference only, as actual pad layouts may vary depending on application. These numbers may be modified based on user equipment capability or fabrication criteria. A more robust pattern may be desired for wave soldering and is calculated by adding 0.2 mm to the 'Z' dimension. For further information, please reference document IPC-7351A, Naming Convention for Standard SMT Land Patterns, and for International grid details, please see document IEC, Publication 97.

U-DFN3030-10



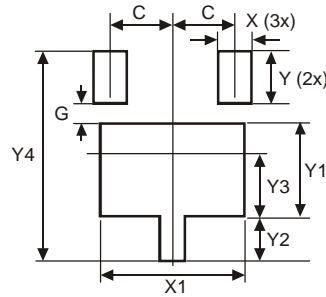
Dimensions	Value (in mm)
Z	2.60
G	0.15
X	1.80
X1	0.60
Y	0.30
C	0.50

U-DFN3030-12



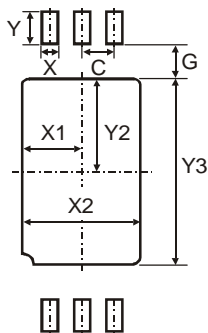
Dimensions	Value (in mm)
Z	2.60
G	0.15
X	1.80
X1	0.60
Y	0.28
C	0.45

DFN322



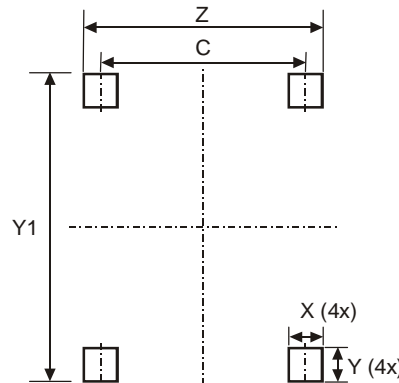
Dimensions	Value (in mm)
C	0.65
G	0.20
X	0.35
X1	1.52
Y	0.55
Y1	0.98
Y2	0.47
Y3	0.63
Y4	2.20

W-DFN5020-6



Dimensions	Value (in mm)
C	0.50
G	0.35
X	0.35
X1	0.90
X2	1.80
Y	0.70
Y2	1.60
Y3	3.20

W-DFN5060-4

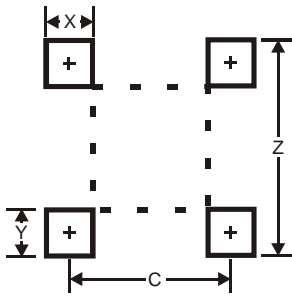


Dimensions	Value (in mm)
C	4.00
X	0.75
Y	0.95
Y1	6.20
Z	4.75

ALL DIMENSIONS ARE NOMINAL VALUES SHOWN IN MILLIMETERS

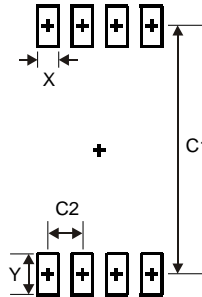
Note: The suggested land pattern dimensions have been provided for reference only, as actual pad layouts may vary depending on application. These numbers may be modified based on user equipment capability or fabrication criteria. A more robust pattern may be desired for wave soldering and is calculated by adding 0.2 mm to the 'Z' dimension. For further information, please reference document IPC-7351A, Naming Convention for Standard SMT Land Patterns, and for International grid details, please see document IEC, Publication 97.

DF-S / MiniDIP



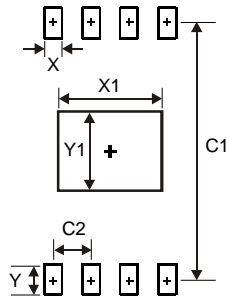
Dimensions	DF-S	MiniDIP
Z	10.26	6.91
X	1.2	0.60
Y	1.52	0.76
C	5.2	2.67

MSOP-8



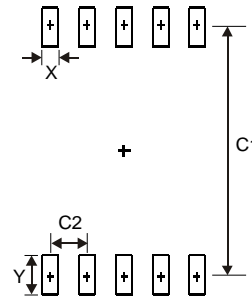
Dimensions	Value (in mm)
X	0.45
Y	1.4
C1	4.4
C2	0.65

MSOP-8L-EP



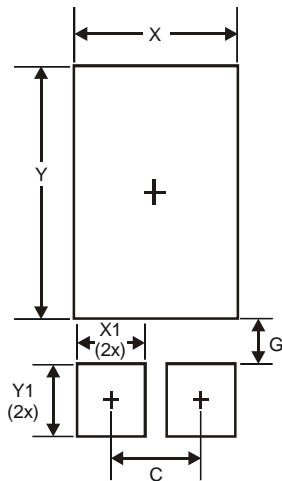
Dimensions	Value (in mm)
C1	4.2
C2	0.65
X	0.32
X1	1.95
Y	0.8
Y1	1.65

MSOP-10



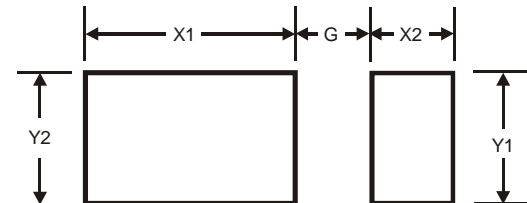
Dimensions	Value (in mm)
X	0.30
Y	1.4
C1	4.4
C2	0.50

POWERDI[®]5



Dimensions	Value (in mm)
C	1.840
G	0.852
X	3.360
X1	1.390
Y	4.860
Y1	1.400

POWERDI[®]123 / POWERDI[®]323

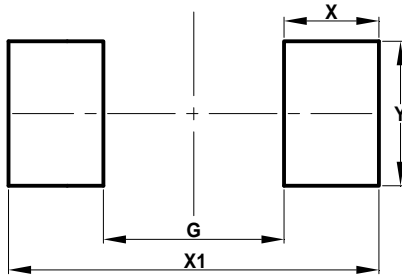


Dimensions	POWERDI [®] 123	POWERDI [®] 323
G	1.0	0.5
X1	2.2	2.0
X2	0.9	0.8
Y1	1.4	0.8
Y2	1.4	1.1

ALL DIMENSIONS ARE NOMINAL VALUES SHOWN IN MILLIMETERS

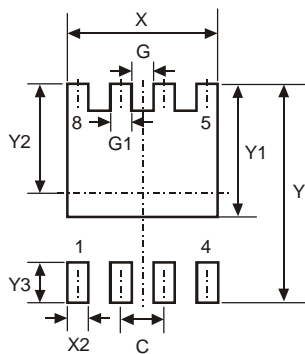
Note: The suggested land pattern dimensions have been provided for reference only, as actual pad layouts may vary depending on application. These numbers may be modified based on user equipment capability or fabrication criteria. A more robust pattern may be desired for wave soldering and is calculated by adding 0.2 mm to the 'Z' dimension. For further information, please reference document IPC-7351A, Naming Convention for Standard SMT Land Patterns, and for International grid details, please see document IEC, Publication 97.

POWERDI®123 Type B



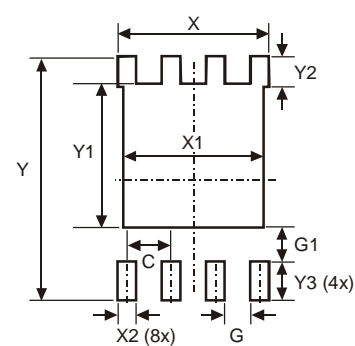
Dimensions	Value (in mm)
G	2.000
X	1.050
X1	4.100
Y	1.500

POWERDI®3333-8



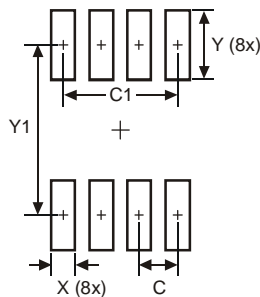
Dimensions	Value (in mm)
C	0.650
G	0.230
G1	0.420
Y	3.700
Y1	2.250
Y2	1.850
Y3	0.700
X	2.370
X2	0.420

POWERDI®5060-8



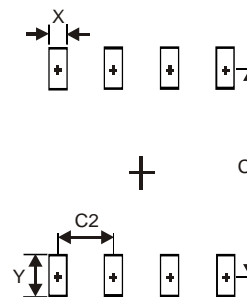
Dimensions	Value (in mm)
C	1.270
G	0.660
G1	0.820
X	4.420
X1	4.100
X2	0.610
Y	6.610
Y1	3.810
Y2	1.020
Y3	1.270

SM-8



Dimensions	Value (in mm)
C	1.52
C1	4.6
X	0.95
Y	2.80
Y1	6.80

SO-8

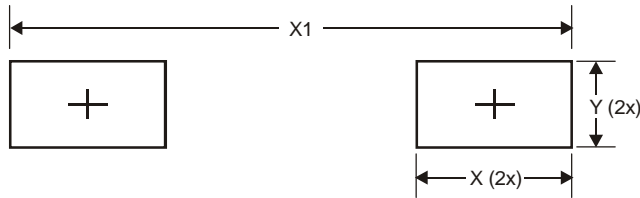


Dimensions	Value (in mm)
X	0.60
Y	1.55
C1	5.4
C2	1.27

ALL DIMENSIONS ARE NOMINAL VALUES SHOWN IN MILLIMETERS

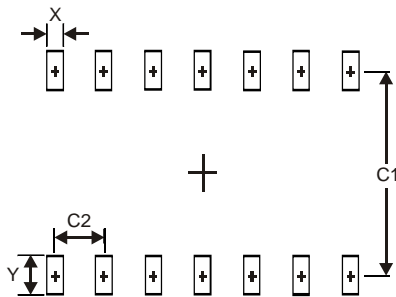
Note: The suggested land pattern dimensions have been provided for reference only, as actual pad layouts may vary depending on application. These numbers may be modified based on user equipment capability or fabrication criteria. A more robust pattern may be desired for wave soldering and is calculated by adding 0.2 mm to the 'Z' dimension. For further information, please reference document IPC-7351A, Naming Convention for Standard SMT Land Patterns, and for International grid details, please see document IEC, Publication 97.

SOD323F



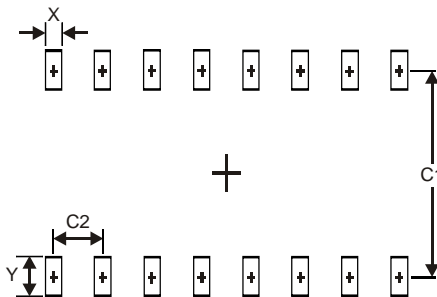
Dimensions	Value (in mm)
X	0.710
X1	2.700
Y	0.403

SOP-14



Dimensions	Value (in mm)
X	0.60
Y	1.50
C1	5.4
C2	1.27

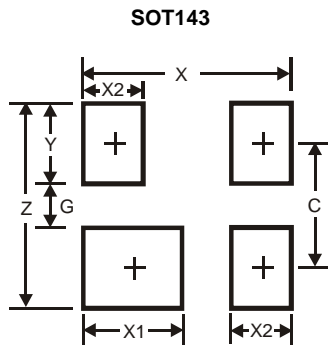
SOP-16



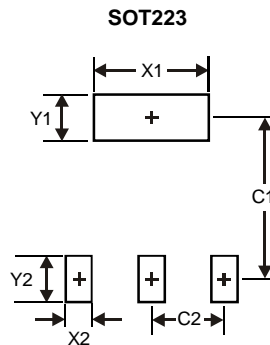
Dimensions	Value (in mm)
X	0.60
Y	1.50
C1	5.4
C2	1.27

ALL DIMENSIONS ARE NOMINAL VALUES SHOWN IN MILLIMETERS

Note: The suggested land pattern dimensions have been provided for reference only, as actual pad layouts may vary depending on application. These numbers may be modified based on user equipment capability or fabrication criteria. A more robust pattern may be desired for wave soldering and is calculated by adding 0.2 mm to the 'Z' dimension. For further information, please reference document IPC-7351A, Naming Convention for Standard SMT Land Patterns, and for International grid details, please see document IEC, Publication 97.

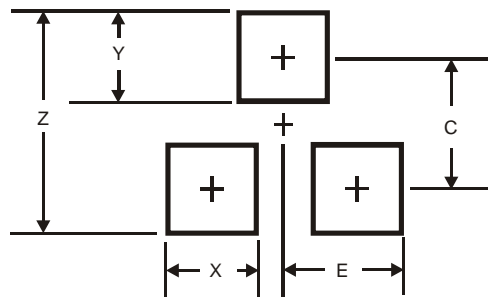


Dimensions	Value (in mm)
Z	2.70
G	1.30
X	2.50
X1	1.0
X2	0.60
Y	0.70
C	2.0



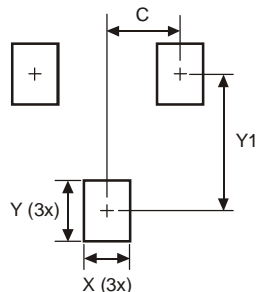
Dimensions	Value (in mm)
X1	3.3
X2	1.2
Y1	1.6
Y2	1.6
C1	6.4
C2	2.3

SOT523 / SOT323 / SOT23 / SC59



Dimensions	SOT523	SOT323	SOT23	SC59
Z	1.8	2.8	2.9	3.4
X	0.4	0.7	0.8	0.8
Y	0.51	0.9	0.9	1.0
C	1.3	1.9	2.0	2.4
E	0.7	1.0	1.35	1.35

SOT23F

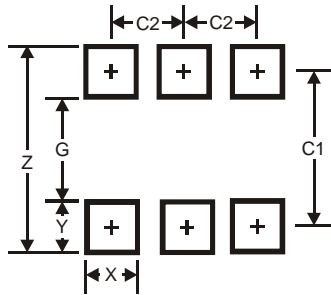


Dimensions	Value (in mm)
C	0.95
X	0.60
Y	0.80
Y1	1.80

ALL DIMENSIONS ARE NOMINAL VALUES SHOWN IN MILLIMETERS

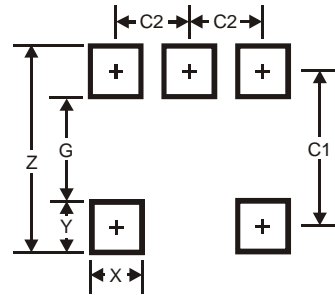
Note: The suggested land pattern dimensions have been provided for reference only, as actual pad layouts may vary depending on application. These numbers may be modified based on user equipment capability or fabrication criteria. A more robust pattern may be desired for wave soldering and is calculated by adding 0.2 mm to the 'Z' dimension. For further information, please reference document IPC-7351A, Naming Convention for Standard SMT Land Patterns, and for International grid details, please see document IEC, Publication 97.

SC74R / SOT26 / SOT363 / SOT563



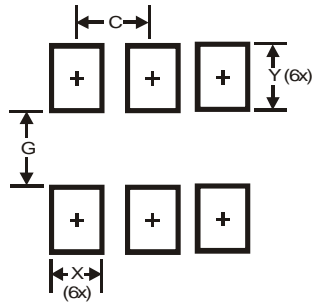
Dimensions	SC74R / SOT26	SOT363	SOT563
Z	3.20	2.5	2.2
G	1.60	1.3	1.2
X	0.55	0.42	0.375
Y	0.80	0.6	0.5
C1	2.40	1.9	1.7
C2	0.95	0.65	0.5

SOT25 / SOT353 / SOT553



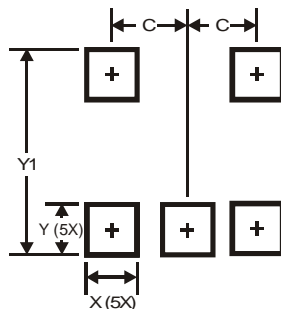
Dimensions	SOT25	SOT353	SOT553
Z	3.20	2.5	2.2
G	1.60	1.3	1.2
X	0.55	0.42	0.375
Y	0.80	0.6	0.5
C1	2.40	1.9	1.7
C2	0.95	0.65	0.5

SOT666



Dimensions	Value (in mm)
C	0.50
G	0.80
X	0.35
Y	0.50

SOT953

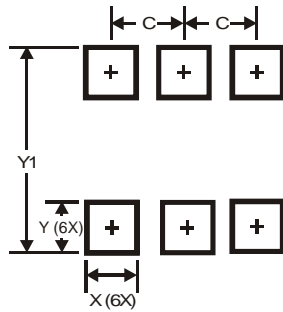


Dimensions	Value (in mm)
C	0.350
X	0.200
Y	0.200
Y1	1.100

ALL DIMENSIONS ARE NOMINAL VALUES SHOWN IN MILLIMETERS

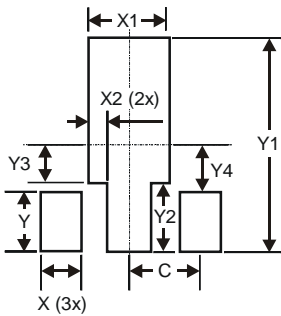
Note: The suggested land pattern dimensions have been provided for reference only, as actual pad layouts may vary depending on application. These numbers may be modified based on user equipment capability or fabrication criteria. A more robust pattern may be desired for wave soldering and is calculated by adding 0.2 mm to the 'Z' dimension. For further information, please reference document IPC-7351A, Naming Convention for Standard SMT Land Patterns, and for International grid details, please see document IEC, Publication 97.

SOT963



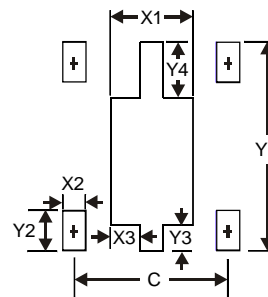
Dimensions	Value (in mm)
C	0.350
X	0.200
Y	0.200
Y1	1.100

SOT89-3



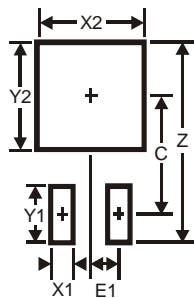
Dimensions	Value (in mm)
X	0.900
X1	1.733
X2	0.416
Y	1.300
Y1	4.600
Y2	1.475
Y3	0.950
Y4	1.125
C	1.500

SOT89-5



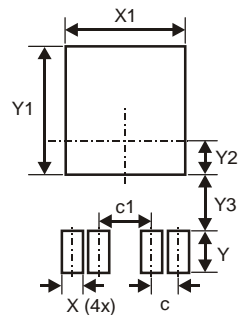
Dimensions	Value (in mm)
X1	1.7
X2	0.55
X3	0.4
Y1	4.6
Y2	1.2
Y3	0.5
Y4	1.1
C	3.0

TO252 (DPAK) / TO263 (D²PAK)



Dimensions	TO252 / DPAK	TO263 / D ² PAK
Z	11.6	16.9
X1	1.5	1.1
X2	7.0	10.8
Y1	2.5	3.5
Y2	7.0	11.4
C	6.9	9.5
E1	2.3	2.5

TO252-4

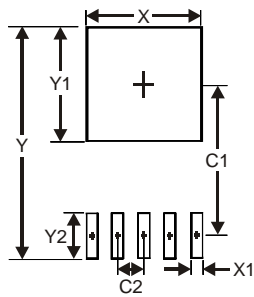


Dimensions	Value (in mm)
c	1.27
c1	2.54
X	1.00
X1	5.73
Y	2.00
Y1	6.17
Y2	1.64
Y3	2.66

ALL DIMENSIONS ARE NOMINAL VALUES SHOWN IN MILLIMETERS

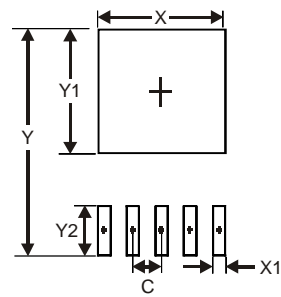
Note: The suggested land pattern dimensions have been provided for reference only, as actual pad layouts may vary depending on application. These numbers may be modified based on user equipment capability or fabrication criteria. A more robust pattern may be desired for wave soldering and is calculated by adding 0.2 mm to the 'Z' dimension. For further information, please reference document IPC-7351A, Naming Convention for Standard SMT Land Patterns, and for International grid details, please see document IEC, Publication 97.

TO252-5



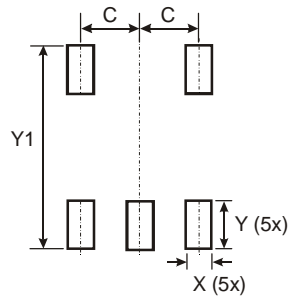
Dimensions	Value (in mm)
X	5.6
X1	0.6
Y	11.0
Y1	5.6
Y2	2.0
C1	7.2
C2	1.27

TO263-5



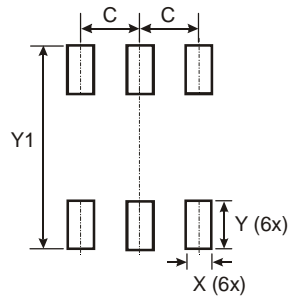
Dimensions	Value (in mm)
X	10.9
X1	1.05
Y	15.7
Y1	9.1
Y2	2.5
C	1.7

TSOT25



Dimensions	Value (in mm)
C	0.950
X	0.700
Y	1.000
Y1	3.199

TSOT26

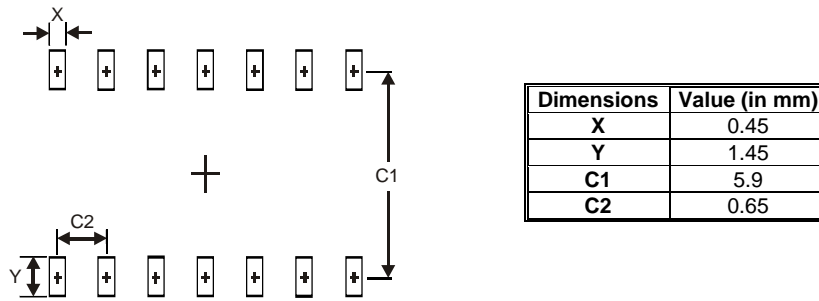


Dimensions	Value (in mm)
C	0.950
X	0.700
Y	1.000
Y1	3.199

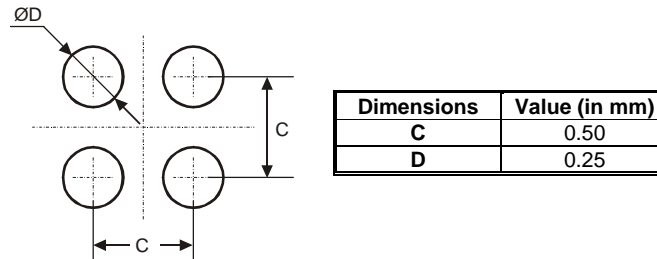
ALL DIMENSIONS ARE NOMINAL VALUES SHOWN IN MILLIMETERS

Note: The suggested land pattern dimensions have been provided for reference only, as actual pad layouts may vary depending on application. These numbers may be modified based on user equipment capability or fabrication criteria. A more robust pattern may be desired for wave soldering and is calculated by adding 0.2 mm to the 'Z' dimension. For further information, please reference document IPC-7351A, Naming Convention for Standard SMT Land Patterns, and for International grid details, please see document IEC, Publication 97.

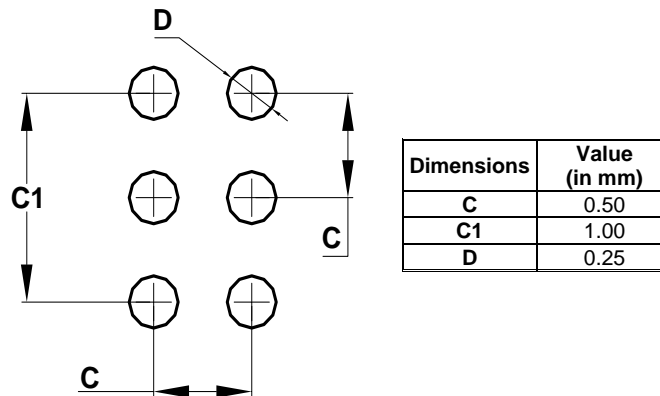
TSSOP-14



U-WLB1010-4



U-WLB1510-6



ALL DIMENSIONS ARE NOMINAL VALUES SHOWN IN MILLIMETERS

Note: The suggested land pattern dimensions have been provided for reference only, as actual pad layouts may vary depending on application. These numbers may be modified based on user equipment capability or fabrication criteria. A more robust pattern may be desired for wave soldering and is calculated by adding 0.2 mm to the 'Z' dimension. For further information, please reference document IPC-7351A, Naming Convention for Standard SMT Land Patterns, and for International grid details, please see document IEC, Publication 97.