

TOSHIBA CMOS DIGITAL INTEGRATED CIRCUIT SILICON MONOLITHIC

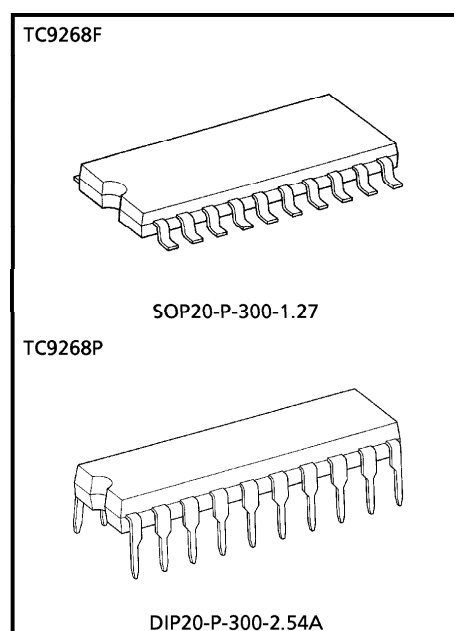
# TC9268F, TC9268P

## $\Sigma$ - $\Delta$ MODULATION SYSTEM DA CONVERTER WITH BUILT-IN 8 TIMES OVER SAMPLING DIGITAL FILTER

TC9268F, TC9268P are 2<sup>nd</sup> order  $\Sigma$ - $\Delta$  modulation system 1bit DA converter incorporating an 8-times over sampling digital filter developed for digital audio equipment. Because the IC is small package (SOP20, DIP20) and includes the de-emphasis filter, it is possible to constitute reducing the size and cost of the DA converter.

### FEATURES

- Built-in 8-times over sampling digital filter.
- Low voltage operate (3.3 V).
- Built-in digital de-emphasis filter.
- Over sampling ratio (OSR) is 192 fs.
- Sampling frequency (fs) : 44.1 kHz
- Support double speed operation.
- Characteristics of the digital filter and DA converter are as follows :



Weight  
 SOP20-P-300-1.27 : 0.48 g (Typ.)  
 DIP20-P-300-2.54A: 1.4 g (Typ.)

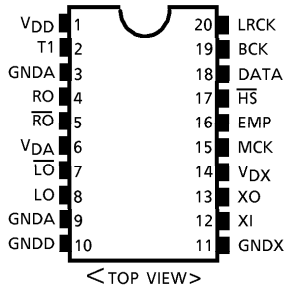
### Digital filter

	DIGITAL FILTER	PASS-BAND RIPPLE	TRANSIENT BAND WIDTH	STOP-BAND SUPPRESSION
Standard operation	8 fs	$\pm 0.11$ dB	20 k~24.1 kHz	- 26 dB
Double speed operation	8 fs	$\pm 0.11$ dB	20 k~24.1 kHz	- 26 dB

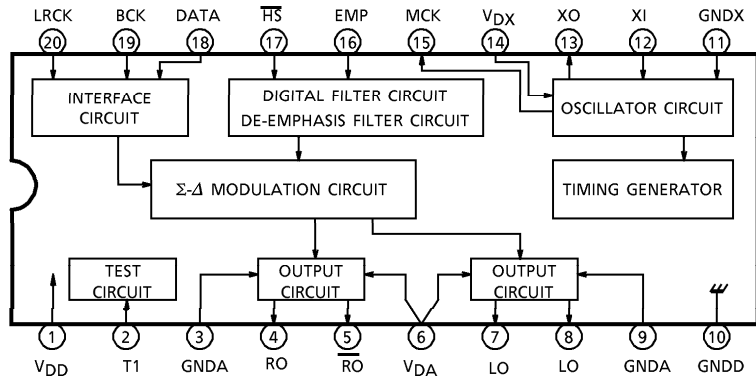
### DA converter ( $V_{DD} = 5V$ )

	OSR	NOISE DISTORTION	S/N RATIO
Standard operation	192 fs	- 90 dB (Typ.)	98 dB (Typ.)
Double speed operation	96 fs	- 85 dB (Typ.)	95 dB (Typ.)

PIN CONNECTION



BLOCK DIAGRAM



PIN FUNCTION

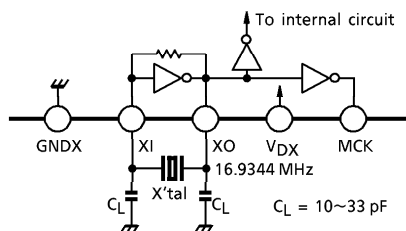
PIN No.	SYMBOL	I/O	FUNCTION & OPERATION	REMARKS
1	V <sub>DD</sub>	—	Digital power supply pin	
2	T1	I	Test pin. Normally, use at "L".	
3	GNDA	—	Analog GND pin	
4	RO	O	Right channel data forward output pin.	
5	RO	O	Right channel data reversed output pin.	
6	V <sub>DA</sub>	—	Analog power supply pin	
7	LO	O	Left channel data reverse output pin.	
8	LO	O	Left channel data forward output pin.	
9	GNDA	—	Analog GND pin	
10	GNDD	—	Digital GND pin.	
11	GNDX	—	Crystal oscillator GND pin.	
12	XI	I	Crystal oscillator connection pin.	
13	XO	O	Connect to a crystal oscillator, generates needed for the system. (384 fs)	
14	V <sub>DX</sub>	—	Oscillator power supply pin.	
15	MCK	O	System clock output pin. (384 fs)	
16	EMP	I	De-emphasis filter ON/OFF switching pin. ON at "H" and OFF at "L".	
17	HS	I	Standard/double speed operation mode switching pin. Standard operation at "H", double speed operation at "L".	
18	DATA	I	Audio data input pin.	
19	BCK	I	Bit clock input pin.	
20	LRCK	I	LR clock input pin.	

**DESCRIPTION OF BLOCK OPERATION**

**1. Crystal oscillation circuit and timing generator**

The clock required for internal operations is generated by connecting a crystal and condensers as shown in the diagram below.

The IC will also operate when a system clock is input from an external source through the XI pin (pin 12). However, in this situation, due consideration must be given to the fact that waveform characteristics, such as jitter and rising/falling characteristics of the system clock, significantly affect the DA converter's noise distortion and the S/N ratio.



Use a crystal with a low CI value and favorable start-up characteristics.

Fig. 1 Configuration of Crystal Oscillation Circuit

The timing generator generates the clocks and process timing signals required for such functions as digital filtering and de-emphasis filtering.

**2. Data input circuit**

DATA and the LRCK are loaded to the LSI internal shift registers on the BCK signal rising edge. It is consequently necessary for the DATA and LRCK signals to be synchronized and input on the BCK signal falling edge as indicated in the timing example below. BCK is available only 48 fs. Also, as DATA has been designed so that the 16 bits before the change point of LRCK are regarded as valid data, the data must be input with Right-justified mode.

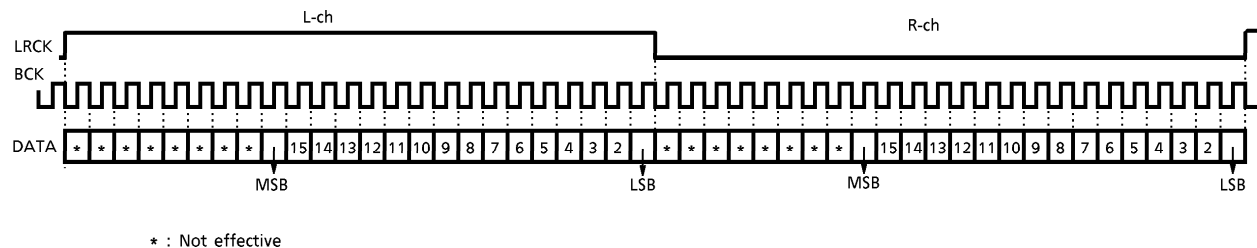


Fig.2 Example of input timing chart

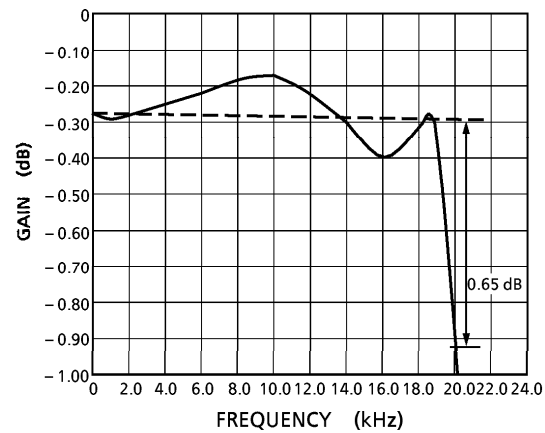
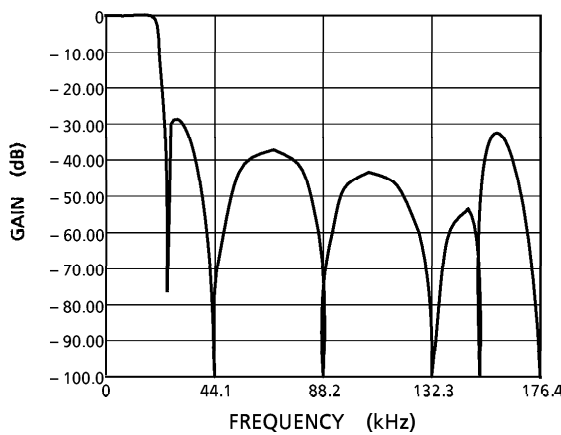
3. Digital filter

The 8-times oversampling IIR digital filter eliminates the noise returned from outside the bandwidth during standard and double speed operations.

Table-1 Characteristics of the digital filter

	PASS-BAND RIPPLE	TRANSIENT BANDWIDTH	ATTENUATION
Standard operation	± 0.11 dB	20.0 k~24.1 kHz	- 26 dB or less
Double speed operation	± 0.11 dB	20.0 k~24.1 kHz	- 26 dB or less

The characteristics of the digital filter frequencies are shown below.  
(Double speed operation is same)



4. De-emphasis filter

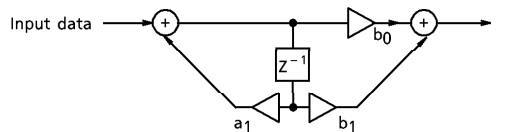
The built-in IIR type digital de-emphasis filter circuit is available for  $f_s = 44.1$  kHz. ON/OFF is controlled with the EMP pin.

Table-2 De-emphasis Filter Settings

EMP PIN	H	L
De-emphasis Filter	ON	OFF

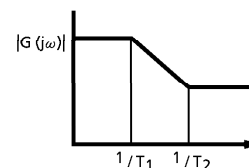
The digitalization of the de-emphasis filter eliminates the need for such external components as resistors, condensers and analog switches. In addition to this, the coefficients are aligned to reduce error in the de-emphasis filter characteristics.

The filter structure and characteristics are shown below.



$$\text{Transfer function : } H(Z) = \frac{(b_0 + b_1 Z^{-1})}{(1 - a_1 Z^{-1})}$$

Fig.4 IIR Digital De-emphasis Filter

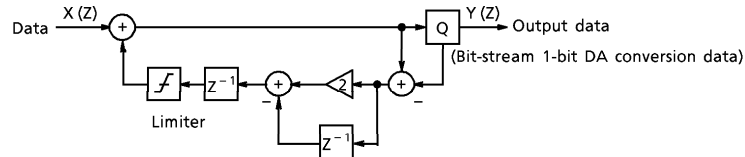


$$T_1 = 50 \mu\text{s}, T_2 = 15 \mu\text{s}$$

Fig.5 Filter Characteristics

5. DA conversion circuit

The IC incorporates a 2<sup>nd</sup> order  $\Sigma$ - $\Delta$  modulation DA converter for two channels (simultaneous output type). The internal structure of this is shown in Fig.6.



$$2^{\text{nd}} \text{ order } \Sigma\text{-}\Delta \text{ converter : } Y(Z) = X(Z) + (1 - Z^{-1})^2 Q(Z)$$

Fig.6  $\Sigma$ - $\Delta$  modulation DA converter

The  $\Sigma$ - $\Delta$  modulation clock has been designed to operate at 192 fs (when 384 fs). The noise shaping characteristics are shown in Fig.7.

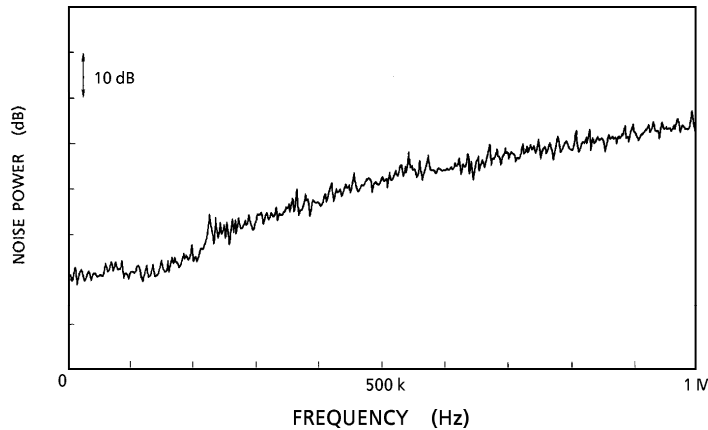


Fig.7 Noise shaping characteristic

6. Data output circuit

In this circuits, output data waveform is shaped and forward and reverse signals of bit stream data are output to the outside through a buffer.

By differentiating these forward signal and the reverse signal in the external analog circuit, DA conversion output of low distortion and high S/N ratio can be obtained.

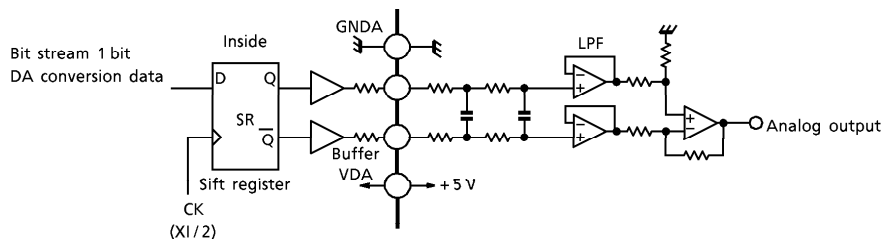


Fig.8 Construction of data output circuit

## MAXIMUM RATINGS (Ta = 25°C)

CHARACTERISTIC	SYMBOL	RATING	UNIT	
Supply Voltage	V <sub>DD</sub>	-0.3~6.0	V	
	V <sub>DA</sub>	-0.3~6.0		
	V <sub>DX</sub>	-0.3~6.0		
Input Voltage	V <sub>in</sub>	-0.3~V <sub>DD</sub> + 0.3	V	
Power Dissipation	TC9268F TC9268P	P <sub>D</sub>	200	mW
			300	
Operating Temperature	T <sub>opr</sub>	-35~85	°C	
Storage Temperature	T <sub>stg</sub>	-55~150	°C	

ELECTRICAL CHARACTERISTICS (Unless otherwise specified, Ta = 25°C, V<sub>DD</sub> = V<sub>DX</sub> = V<sub>DA</sub> = 5 V)

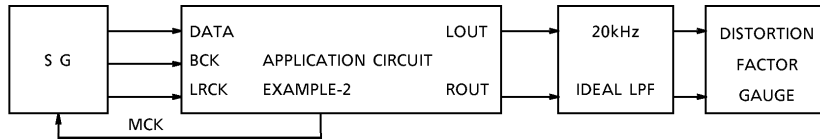
## DC CHARACTERISTICS

CHARACTERISTIC	SYMBOL	TEST CIR-CUIT	TEST CONDITION	MIN	TYP.	MAX	UNIT
Operating Supply Voltage (1)	V <sub>DD</sub>	—	Ta = -35~85°C	4.5	5.0	5.5	V
	V <sub>DX</sub>			4.5	5.0	5.5	
	V <sub>DA</sub>			4.5	5.0	5.5	
Operating Supply Voltage (2)	V <sub>DD</sub>	—	Ta = -15~55°C (Operation frequency) (f <sub>opr</sub> = 16.9 MHz)	3.3	3.5	5.5	V
	V <sub>DX</sub>			3.3	3.5	5.5	
	V <sub>DA</sub>			3.3	3.5	5.5	
Power Dissipation	I <sub>DD</sub>	—	XI = 16.9 MHz	—	12	20	mA
Input Voltage	"H" Level	V <sub>IH</sub>	—	V <sub>DD</sub> × 0.7	—	V <sub>DD</sub>	V
	"L" Level	V <sub>IL</sub>		0	—	V <sub>DD</sub> × 0.3	
Input Current	"H" Level	I <sub>IH</sub>	—	-10	—	10	μA
	"L" Level	I <sub>IL</sub>					

## AC CHARACTERISTICS (Over sampling ratio = 192 fs)

CHARACTERISTIC	SYMBOL	TEST CIR-CUIT	TEST CONDITION	MIN	TYP.	MAX	UNIT
Table Harmonic Distortion + Noise 1	THD + N1	1	1 kHz Sine wave, full-scale input V <sub>DD</sub> = V <sub>DX</sub> = V <sub>DA</sub> = 5 V	—	-90	-80	dB
Table Harmonic Distortion + Noise 2	THD + N2	1	1 kHz Sine wave, full-scale input V <sub>DD</sub> = V <sub>DX</sub> = V <sub>DA</sub> = 3.5 V	—	-86	-78	dB
S/N Ratio	S/N	1		90	98	—	dB
Dynamic Range	DR	1	1 kHz Sine wave, -60 dB input conversion	90	95	—	dB
Cross-talk	CT	1	1 kHz Sine wave, full-scale input	—	-95	-90	dB
Operating Frequency	f <sub>opr</sub>	—	V <sub>DD</sub> = V <sub>DA</sub> = V <sub>DX</sub> ≥ 4.5 V	—	16.9344	—	MHz
Input Frequency	f <sub>LR</sub>	—	LRCK duty cycle = 50%	—	44.1	—	kHz
	f <sub>BCK</sub>	—	BCK duty cycle = 50%	—	2.1168	—	MHz
Rise Time	t <sub>r</sub>	—	LRCK, BCK (10~90%)	—	—	15	ns
Fall Time	t <sub>f</sub>			—	—	15	
Delay Time	t <sub>d</sub>	—	BCK <sub>↓</sub> Edge → LRCK, DATA	—	—	40	ns

- TEST CIRCUIT-1 : With the use of application circuit example-2

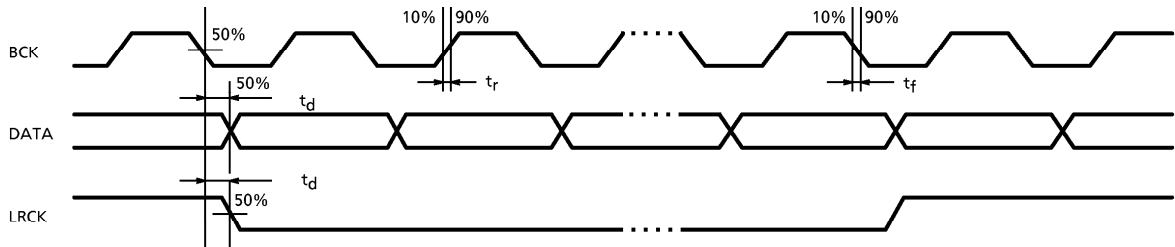


SG : ANRITSU MG-22A or equivalent  
 LPF : SHIBASOKU 725C internal filter  
 DISTORTION FACTOR GAUGE : SHIBASOKU 725C or equivalent

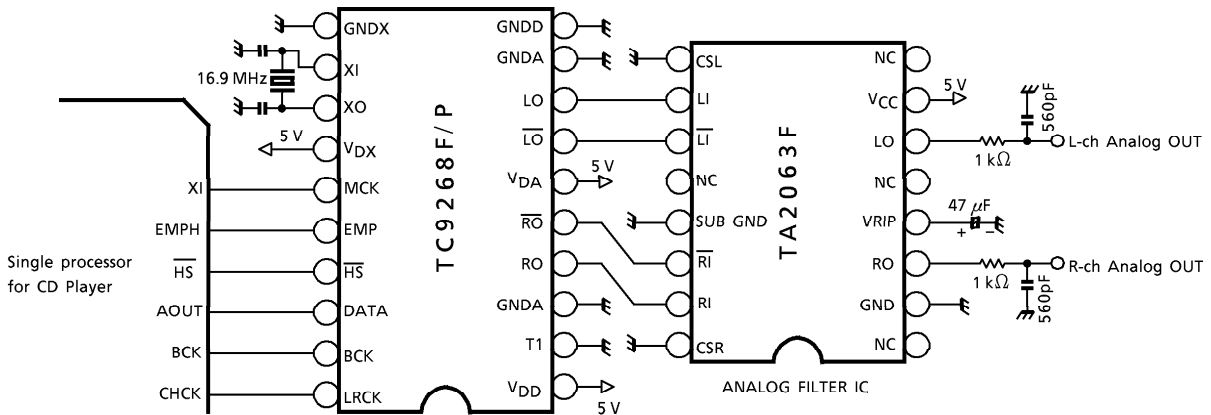
MEASURING ITEM	DISTORTION FACTOR GAUGE FILTER SETTING A WEIGHT
THD + N, CT	OFF
S/N, DR	ON

A weight : IEC-A or equivalent

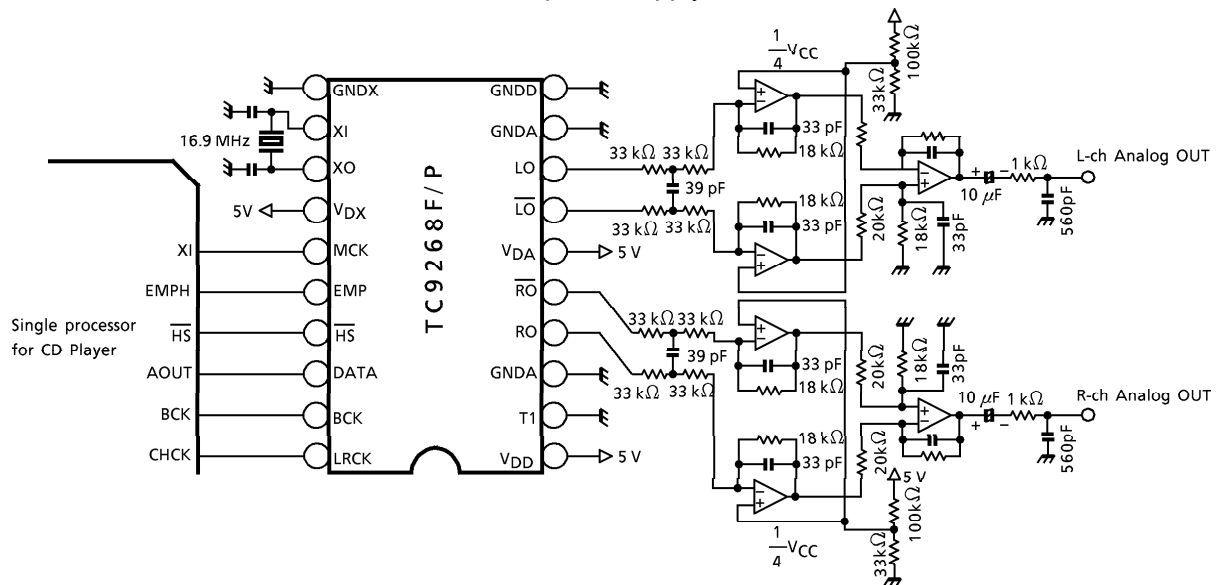
- AC CHARACTERISTICS STIPULATED POINT (Input signal stipulation : LRCK, BCK, DATA)



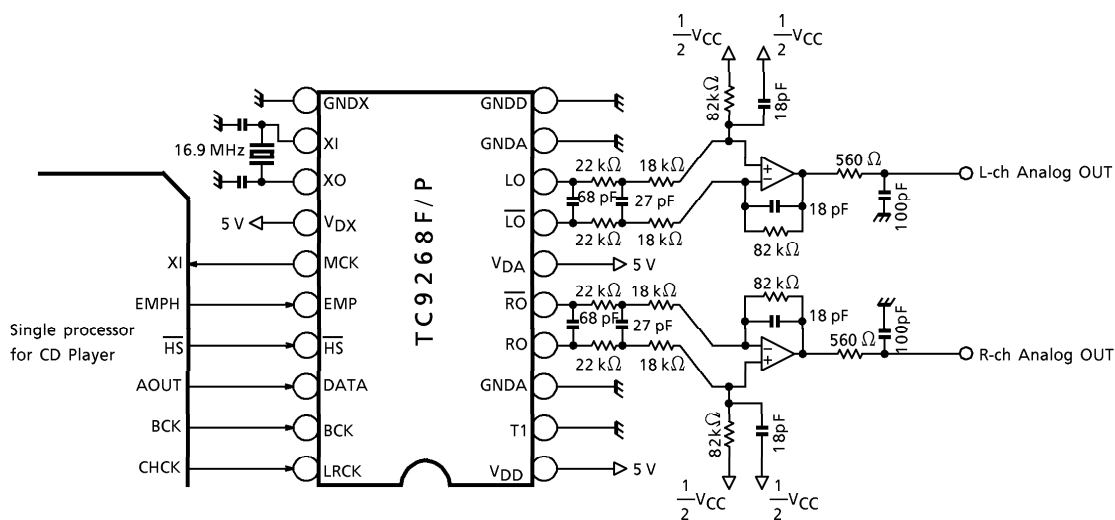
APPLICATION CIRCUIT EXAMPLE-1 (+5 V Single power supply used)



APPLICATION CIRCUIT EXAMPLE-2 (+ 5 V Two power supply used)



APPLICATION CIRCUIT EXAMPLE-3 (+ 5 V Single power supply used)



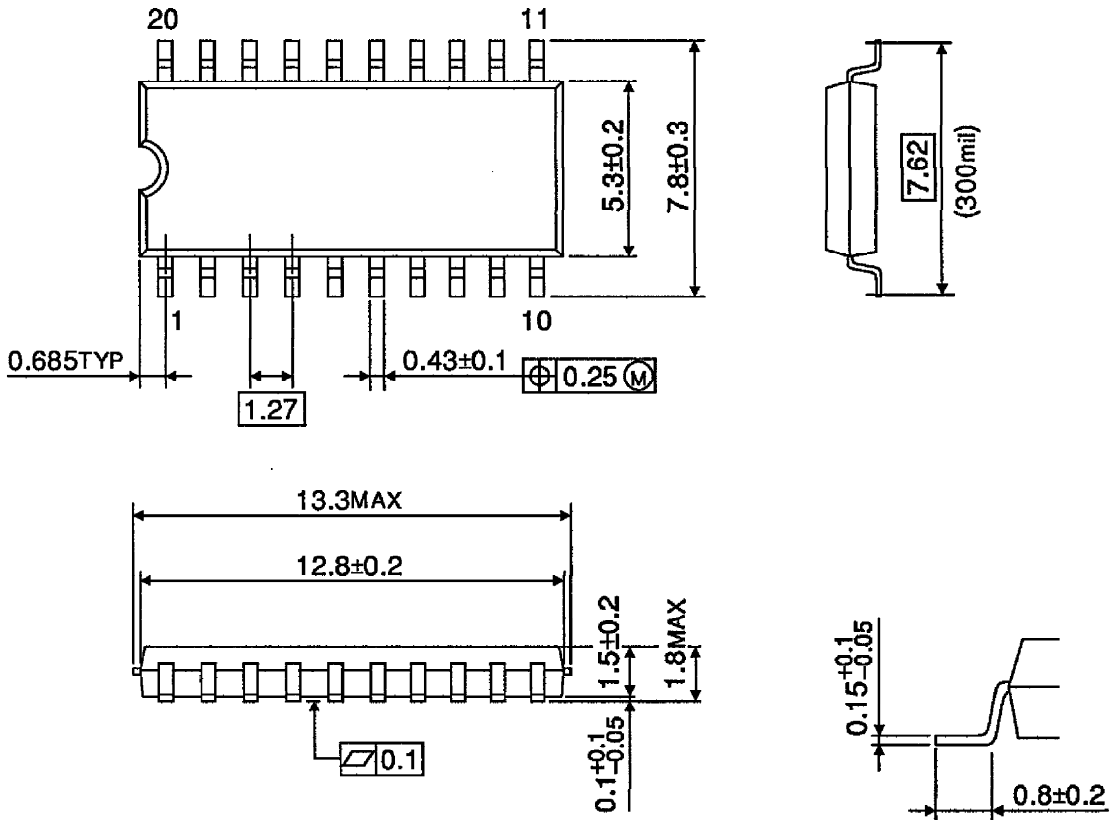
(Cautions)

- Quality of crystal oscillation waveform largely affect S/N ratio and noise distortion. Further, this is also true then system clock is input externally through the XI pin of Pin⑫.
- Suppress glitch of input signals (LRCK, BCK, DATA) as could as possible.
- The wiring between the TC9268F/P output and the analog filter amplifier input must be made the shortest.
- The capacitor between V<sub>DA</sub> and GNDA, V<sub>DD</sub> and GNDD, V<sub>DX</sub> and GNDX shall be connected as close to the pin as possible.



PACKAGE DIMENSIONS  
SOP20-P-300-1.27

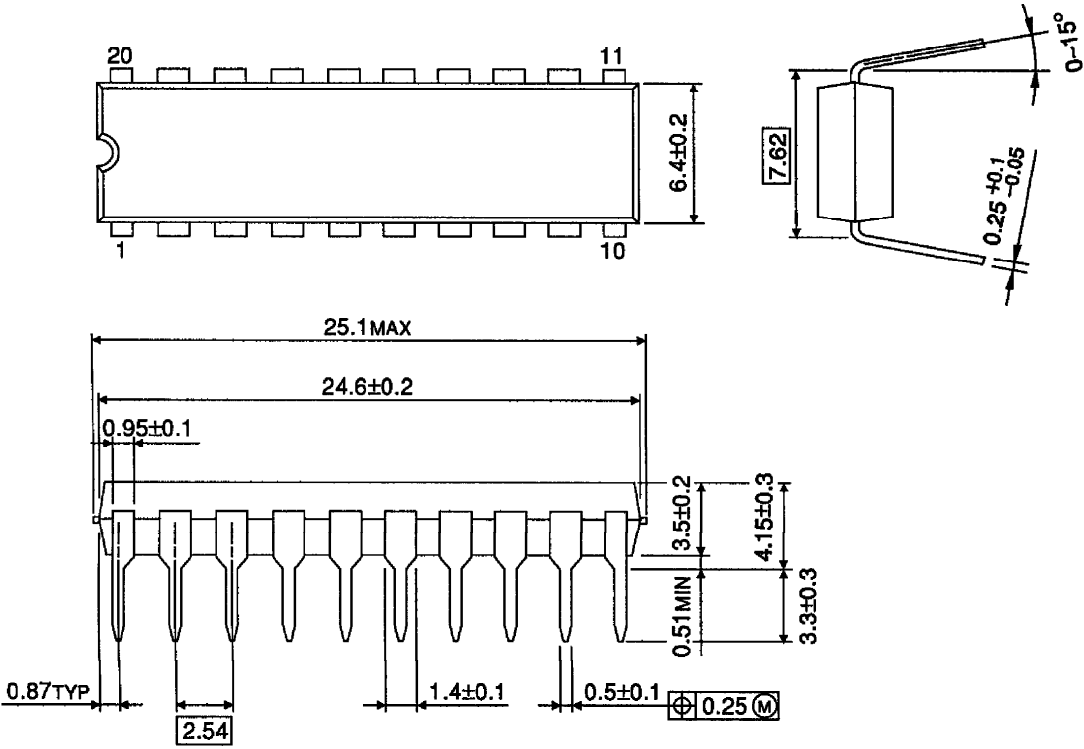
Unit : mm



Weight : 0.48 g (Typ.)

PACKAGE DIMENSIONS  
DIP20-P-300-2.54A

Unit : mm



Weight : 1.4 g (Typ.)

**RESTRICTIONS ON PRODUCT USE**

000707EBA

- TOSHIBA is continually working to improve the quality and reliability of its products. Nevertheless, semiconductor devices in general can malfunction or fail due to their inherent electrical sensitivity and vulnerability to physical stress. It is the responsibility of the buyer, when utilizing TOSHIBA products, to comply with the standards of safety in making a safe design for the entire system, and to avoid situations in which a malfunction or failure of such TOSHIBA products could cause loss of human life, bodily injury or damage to property. In developing your designs, please ensure that TOSHIBA products are used within specified operating ranges as set forth in the most recent TOSHIBA products specifications. Also, please keep in mind the precautions and conditions set forth in the "Handling Guide for Semiconductor Devices," or "TOSHIBA Semiconductor Reliability Handbook" etc..
- The TOSHIBA products listed in this document are intended for usage in general electronics applications (computer, personal equipment, office equipment, measuring equipment, industrial robotics, domestic appliances, etc.). These TOSHIBA products are neither intended nor warranted for usage in equipment that requires extraordinarily high quality and/or reliability or a malfunction or failure of which may cause loss of human life or bodily injury ("Unintended Usage"). Unintended Usage include atomic energy control instruments, airplane or spaceship instruments, transportation instruments, traffic signal instruments, combustion control instruments, medical instruments, all types of safety devices, etc.. Unintended Usage of TOSHIBA products listed in this document shall be made at the customer's own risk.
- The products described in this document are subject to the foreign exchange and foreign trade laws.
- The information contained herein is presented only as a guide for the applications of our products. No responsibility is assumed by TOSHIBA CORPORATION for any infringements of intellectual property or other rights of the third parties which may result from its use. No license is granted by implication or otherwise under any intellectual property or other rights of TOSHIBA CORPORATION or others.
- The information contained herein is subject to change without notice.