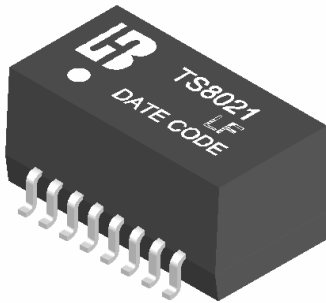




10 BASE-T SMD ETHERNET TRANSFORMER

P/N:TS8021 LF DATA SHEET

Feature

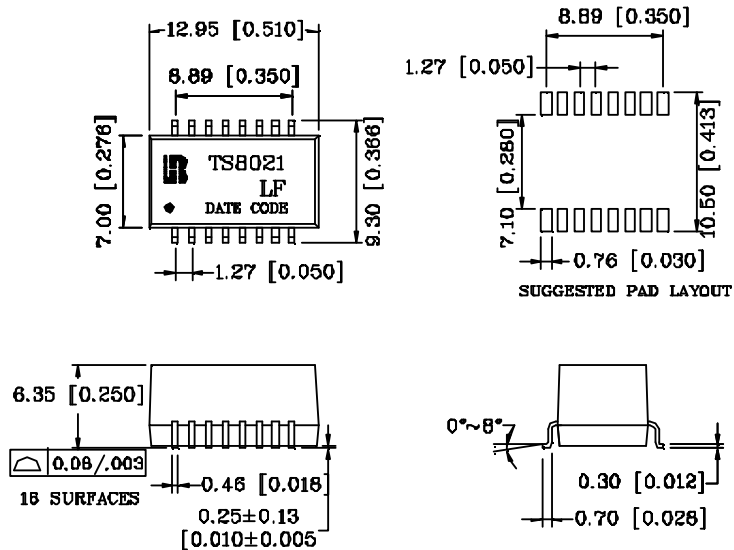
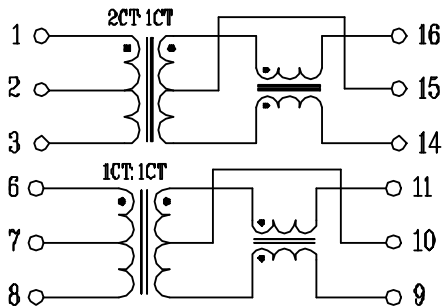


- 16 PIN SMD package to compliant with IEEE 802.3 standard.
- Model is available to interface with 10 base-t transceivers.
- Compatible with IR oven processes.
- Comply with RoHS requirements-whole part No Cd, No Hg, No Cr6+, No PBB and PBDE and No Pb on external pins.
- Comply with Air reflow profile of JEDEC 020C.
- Operating temperature range: 0 to +70 .
- Storage temperature range: -25 to +125 .

Electrical Specifications @ 25°C								
Part Number	Turns Ratio (±5%)		OCL(uH Min) @100KHz/0.2V	C _{www} (pF Max)	L.L (uH Max)	DCR (Max)	PRI Pins	HI-POT (Vrms)
	TX	RX						
TS8021 LF	2CT:1CT	1CT:1CT	175	20	0.3	0.9	1-3,9-11	1500

Schematic

Mechanical



Units: mm[Inches] Tolerances: xx.x0±0.25[0.010]
0.xx±0.05[0.002]