

500mA Low Dropout Voltage Regulator

■ GENERAL DESCRIPTION

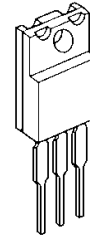
The NJU7223 series is a high precision output voltage, low drop output, low current consumption and high output current 3-terminal positive voltage regulator with a over current protection and a thermal shutdown.

Low dropout voltage is realized at high current output.

■ FEATURES

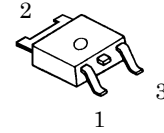
- High Precision Output Voltage $\pm 2\%$
- High Output Current $I_o(\text{max.})=500\text{mA}$
- Low Current Consumption $30\mu\text{A}$
- Low Dropout Voltage $\Delta V_{IO}=0.4\text{V typ. (}I_o=0.5\text{A, }V_o=5\text{V)}$
- Internal Over Current Protection
- Internal Thermal Shutdown Protection
- Package Outline TO-220F, TO-252
- C-MOS Technology

■ PACKAGE OUTLINE



1 2 3

NJM7223F



1

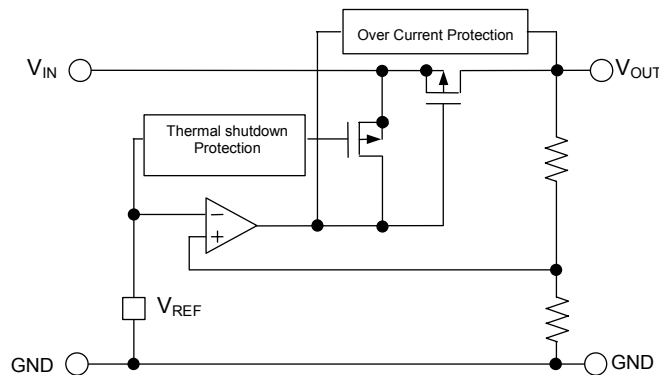
NJU7223DL1

- 1. V_{OUT}
- 2. V_{IN}
- 3. GND

■ OUTPUT VOLTAGE LINE-UP

V_{OUT}	TO-220F	TO-252
+1.8V	NJU7223F18	NJU7223DL1-18
+2.5V	NJU7223F25	NJU7223DL1-25
+3.0V	NJU7223F30	NJU7223DL1-30
+3.3V	NJU7223F33	NJU7223DL1-33
+5.0V	NJU7223F50	NJU7223DL1-50

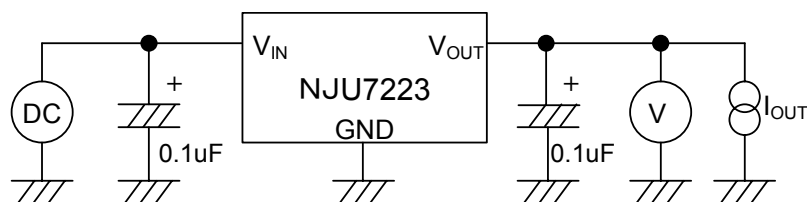
■ EQUIVALENT CIRCUIT



■ ABSOLUTE MAXIMUM RATINGS (Ta=25°C)

PARAMETER	SYMBOL	RATINGS	UNIT
Input Voltage	V_{IN}	+18	V
Output Voltage	V_{OUT}	GND-0.3 ~ $V_{IN} + 0.3$	V
Output Current	I_{OUT}	700	mA
Power Dissipation	P_D	TO-220F 7.5(Tc≤85°C) TO-252 7.5(Tc≤56°C) 1.0(Ta=25°C)	W
Operating Temperature Range	Topr	-40 ~ 85	°C
Storage Temperature Range	Tstg	-55 ~ 150	°C

■ TEST CIRCUIT



■ ELECTRICAL CHARACTERISTICS (C_{IN}=C_O=0.1μF, T_J=25°C)

Measurement is to be conducted in pulse testing.

PARAMETER	SYMBOL	TEST CONDITION	MIN.	TYP.	MAX.	UNIT
Vo=1.8V Version Output Voltage	V _O	V _{IN} =3.8V, I _o =300mA	1.764	1.80	1.836	V
Input Voltage	V _{IN}		-	-	14	V
Dropout Voltage	ΔV _{IO}	I _o =150mA	-	0.4	0.6	V
Line Regulation	ΔV _o /ΔV _{IN} ·V _o	V _{IN} =2.8V ~ 12.0V	-	0.10	-	%/V
Load Regulation	ΔV _o /ΔI _o	V _{IN} =3.8V, I _o =1 ~ 500mA	-	120	160	mV
Quiescent Current	I _{DD}	V _{IN} =3.8V	-	30	60	μA
Ripple Rejection	RR	V _{IN} =3.8V, e _{in} =1V _{P-P} f=120Hz, I _o =300mA	-	57	-	dB
Output Noise Voltage	V _{NO}	V _{IN} =3.8V, I _o =300mA BW=10Hz ~ 100kHz	-	65	-	μV
Vo=2.5V Version Output Voltage	V _O	V _{IN} =4.5V, I _o =300mA	2.45	2.50	2.55	V
Input Voltage	V _{IN}		-	-	14	V
Dropout Voltage	ΔV _{IO}	I _o =300mA	-	0.4	0.6	V
Line Regulation	ΔV _o /ΔV _{IN} ·V _o	V _{IN} =3.5V ~ 12.0V	-	0.10	-	%/V
Load Regulation	ΔV _o /ΔI _o	V _{IN} =4.5V, I _o =1 ~ 500mA	-	120	160	mV
Quiescent Current	I _{DD}	V _{IN} =4.5V	-	30	60	μA
Ripple Rejection	RR	V _{IN} =4.5V, e _{in} =1V _{P-P} f=120Hz, I _o =300mA	-	57	-	dB
Output Noise Voltage	V _{NO}	V _{IN} =4.5V, I _o =300mA BW=10Hz ~ 100kHz	-	110	-	μV
Vo=3.0V Version Output Voltage	V _O	V _{IN} =5.0V, I _o =300mA	2.94	3.00	3.06	V
Input Voltage	V _{IN}		-	-	14	V
Dropout Voltage	ΔV _{IO}	I _o =300mA	-	0.4	0.6	V
Line Regulation	ΔV _o /ΔV _{IN} ·V _o	V _{IN} =4.0V ~ 12.0V	-	0.10	-	%/V
Load Regulation	ΔV _o /ΔI _o	V _{IN} =5.0V, I _o =1 ~ 500mA	-	120	160	mV
Quiescent Current	I _{DD}	V _{IN} =5.0V	-	30	60	μA
Ripple Rejection	RR	V _{IN} =5.0V, e _{in} =1V _{P-P} f=120Hz, I _o =300mA	-	57	-	dB
Output Noise Voltage	V _{NO}	V _{IN} =5.0V, I _o =300mA BW=10Hz ~ 100kHz	-	115	-	μV

■ ELECTRICAL CHARACTERISTICS (C_{IN}=C_O=0.1uF, T_j=25°C)

Measurement is to be conducted in pulse testing.

PARAMETER	SYMBOL	TEST CONDITION	MIN.	TYP.	MAX.	UNIT
Vo=3.3V Version Output Voltage	V _O	V _{IN} =5.3V, I _o =300mA	3.234	3.30	3.366	V
Input Voltage	V _{IN}		-	-	14	V
Dropout Voltage	ΔV _{IO}	I _o =300mA	-	0.4	0.6	V
Line Regulation	ΔV _o /ΔV _{IN} ·V _o	V _{IN} =4.3V ~ 12.0V	-	0.10	-	%/V
Load Regulation	ΔV _o /ΔI _o	V _{IN} =5.3V, I _o =1 ~ 500mA	-	120	160	mV
Quiescent Current	I _{DD}	V _{IN} =5.3V	-	30	60	uA
Ripple Rejection	RR	V _{IN} =5.3V, e _{in} =1V _{P-P} f=120Hz, I _o =300mA	-	56	-	dB
Output Noise Voltage	V _{NO}	V _{IN} =5.3V, I _o =300mA BW=10Hz ~ 100kHz	-	117	-	uV
Vo=5.0V Version Output Voltage	V _O	V _{IN} =7.0V, I _o =500mA	4.90	5.00	5.10	V
Input Voltage	V _{IN}		-	-	14	V
Dropout Voltage	ΔV _{IO}	I _o =500mA	-	0.4	0.6	V
Line Regulation	ΔV _o /ΔV _{IN} ·V _o	V _{IN} =6.0V ~ 12.0V	-	0.10	-	%/V
Load Regulation	ΔV _o /ΔI _o	V _{IN} =7.0V, I _o =1 ~ 500mA	-	120	160	mV
Quiescent Current	I _{DD}	V _{IN} =7.0V	-	30	60	uA
Ripple Rejection	RR	V _{IN} =7.0V, e _{in} =1V _{P-P} f=120Hz, I _o =300mA	-	55	-	dB
Output Noise Voltage	V _{NO}	V _{IN} =7.0V, I _o =300mA BW=10Hz ~ 100kHz	-	122	-	uV

[CAUTION]
The specifications on this databook are only given for information, without any guarantee as regards either mistakes or omissions. The application circuits in this databook are described only to show representative usages of the product and not intended for the guarantee or permission of any right including the industrial rights.

This datasheet has been download from:

www.datasheetcatalog.com

Datasheets for electronics components.