

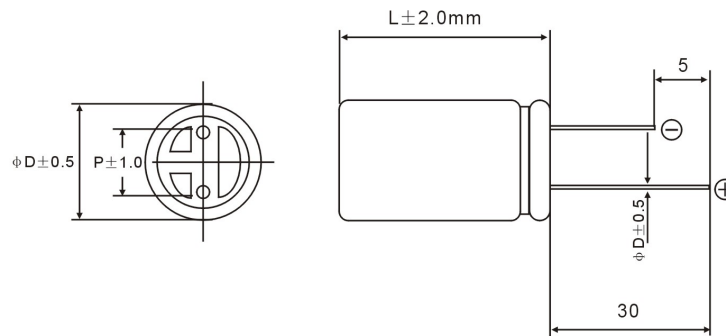
TS12S-M

FEATURES

Radial & Snap-in type
large capacity, VENT case.



SPECIFICATIONS	
Operating temperature	-25 to +70°C
Rated voltage	2.5VDC
Surge voltage	3.0VDC
Capacitance tolerance	-20% to +80%
Characteristics at Temperature	+70°C ΔC/C ≤30%, ESR≤100% time of specified value at 25°C -25°C ΔC/C ≤50%, ESR≤400% time of specified value at 25°C
High Temperature load	After 1000 hours storage at +70°C±2 at 5.5V , ΔC/C ≤30% of the initial measured value, ESR≤200% of the initial specified value
Humidity Resistance	After +40°C±2 , 90~95%RH , 240 hour ΔC/C ≤30% of the initial measured value, IL≤200% of the initial specified value, ESR≤4 time of the initial specified value



Part Number	Rated Capacitance	Operating Voltage	ESR 1HKZ (MΩ)	Size (ØD±0.5mm * L±1.0,mm)	P ± 1.0(mm)	Ø d (mm)
TS12S-M-2R5-704	0.7F	2.5V	800	Ø8x13	3.5	0.6
TS12S-M-2R5-104	1.0F	2.5V	600	Ø8x13	3.5	0.6
TS12S-M-2R5-205	2.0F	2.5V	300	Ø10x20	4.5	0.6
TS12S-M-2R5-305	3.0F	2.5V	200	Ø8x20	3.5	0.6
TS12S-M-2R5-335	3.3F	2.5V	200	Ø10x20	4.5	0.6
TS12S-M-2R5-475	4.7F	2.5V	150	Ø13x21	4.5	0.6
TS12S-M-2R5-805	8.0F	2.5V	100	Ø13x21	4.5	0.6

Can make up to 2.7V, please send us e-mail if you have any special request.

Note: Specification are subject to change without notice. For more detail and update, please visit our website.