



P/N: TS6121B DATA SHEET

Feature

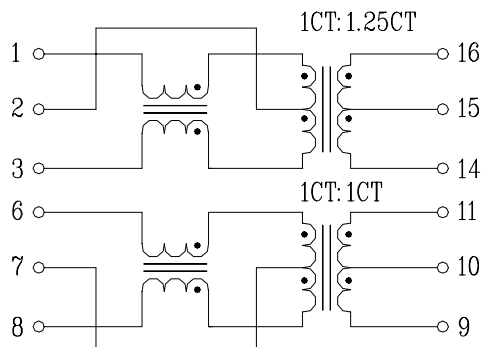


- Designed to meet IEEE 802.3u requirement, including 350uH OCL with 8mA bias.
- 16 PIN SMD surface mount package.
- Dual channel low cost.
- Operating temperature range:0°C to +70°C.
- Storage temperature range:-25°C to +125°C.

Electrical Specifications @ 25°C							
Part Number	Turns Ratio (±5%)		OCL (uH Min) @ 100KHz/0.1V with 8mA DC Bias	C _{w/w} (pF Max)	L.L (uH Max)	DCR (Ω Max)	HI-POT (Vrms)
	16-14:1-3	11-9:6-8					
TS6121B	1.25CT: 1CT	1CT:1CT	350	28	0.5	0.9	1500

Continue							
Part Number	Insertion Loss (dB Max)	Return Loss (dB Min)				Cross talk (dB Min)	DCMR (dB Min)
		0.3-30MHz	40MHz	50MHz	60-80MHz		
TS6121B	-1.15	-18	-15.5	-13.6	-12	-30	-40

Schematic



Mechanical

