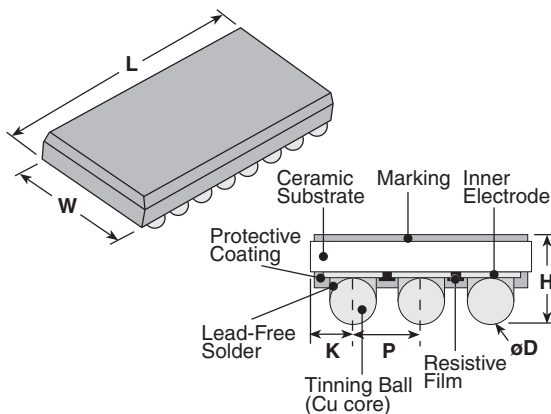


features

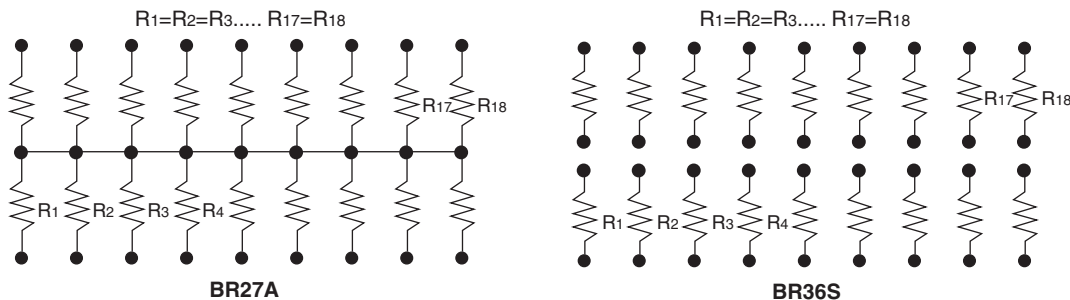
- Virtually eliminates channel capacitance, a primary cause of reduced system performance
- Eases routing design of DDR SDRAM termination
- High precision $\pm 1\%$ is standard
- Saves board space and high density mounting
- Marking: Black body color with white marking (cut-out)
- Products with lead-free terminations meet EU RoHS requirements. Pb located in glass material, electrode and resistor element is exempt per Annex 1, exemption 5 of EU directive 2005/95/EC

dimensions and construction



Size Code	Dimensions inches (mm)						Coplanarity
	P	ØD	K	H	L	W	
BR27A	.039±.010 (1.0±0.25)	.026±.002 (0.67±0.05)	.020±.010 (0.50±0.25)	.045±.006 (1.15±0.15)	.354±.006 (9.0±0.15)	.118±.006 (3.0±0.15)	.006 Max. (0.15 Max.)
BR36S	.039±.010 (1.0±0.25)	.026±.002 (0.67±0.05)	.020±.010 (0.50±0.25)	.045±.006 (1.15±0.15)	.087 Max. (9.0±0.15)	.157±.006 (4.0±0.15)	

circuit schematic



ordering information

New Part #	BR	27	A	P	T	TEB	1001	F
Type	BR	27	A	P	T	TEB	1001	F
Number of Terminals		27: 27 Terminal 36: 36 Terminal						
Circuit Symbol			A: Parallel network S: Separate					
Terminal Pitch				P: 1 mm				
Termination Material					T: Sn			
Packaging						TEB: 8 mm pitch embossed plastic		
Nominal Resistance							$\pm 1\%$: 3 significant figures + multiplier "R" indicates decimal on values <100Ω	
Resistance Tolerance								F: $\pm 1\%$

For further information on packaging, please refer to Appendix A.

Specifications given herein may be changed at any time without prior notice. Please confirm technical specifications before you order and/or use.

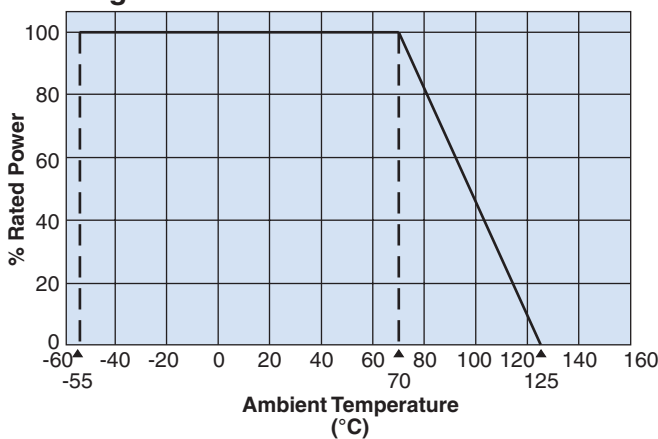
2/11/08

applications and ratings

Part Designation	Number of Terminals	Circuit Symbol	Power Rating	Resistance Range (Ω) E-24 F: $\pm 1\%$	T.C.R. (ppm/ $^{\circ}\text{C}$)	Maximum Working Voltage	Maximum Overload Voltage	Rated Ambient Temperature	Operating Temperature Range
BR	27	A	0.05W/element 1W/package	10-1K	± 200	25V	50V	+70 $^{\circ}\text{C}$	-55 $^{\circ}\text{C}$ to +125 $^{\circ}\text{C}$
	36	S							

environmental applications

Derating Curve



Performance Characteristics

Parameter	Maximum ΔR	Test Method
Resistance	1% within specified tolerance	25 $^{\circ}\text{C}$
T.C.R.	Within specified T.C.R.	-55 $^{\circ}\text{C}$ /+125 $^{\circ}\text{C}$
Short Time Overload	$\pm 0.5\%$	Rated voltage times 2.5 for 5 seconds
Resistance to Soldering Heat	$\pm 0.5\%$	250 $^{\circ}\text{C} \pm 5^{\circ}\text{C}$, 30 seconds, 3 times
Rapid Change of Temperature	$\pm 0.5\%$	-65 $^{\circ}\text{C}$ (30 min.)/+125 $^{\circ}\text{C}$ (30 min.) 5 cycles
Moisture Resistance	1	0.1 Rated load, 85 $^{\circ}\text{C}$, 85% RH, 1000 hours
Endurance at 70 $^{\circ}\text{C}$	1	70 $^{\circ}\text{C}$, full load 2000h 1.5h ON/0.5h OFF cycle
Low Temperature Storage	0.5	-65 $^{\circ}\text{C}$, 24h, no load
High Temperature Exposure	1	125 $^{\circ}\text{C}$, 1000h, no load