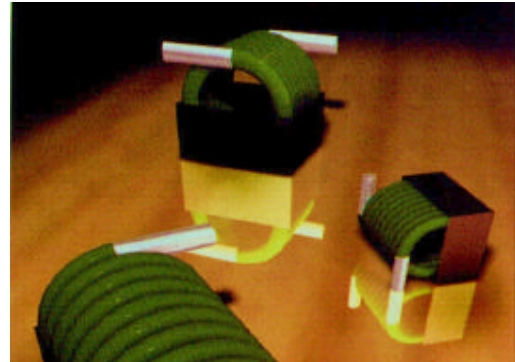


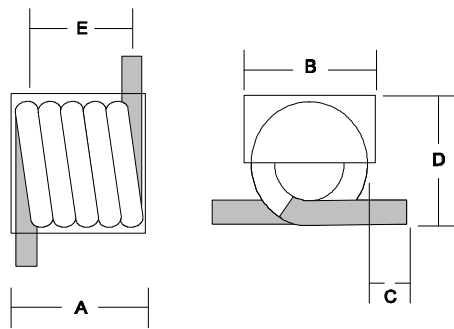
ECM SMD Mini Spring Coils

ACS C/D Series

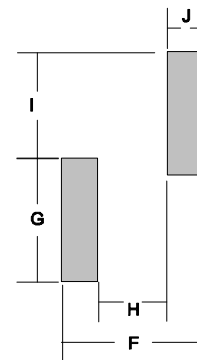
The ACS-C/DB range of surface mount spring coils offers design engineers high 'Q' over a uniquely wide frequency range. The flat moulded flat top make these parts ideal for fully automated pick and place production, thus increasing manufacturing productivity beyond that capable using conventional through hole coils.



COMPONENT OUTLINE



LAND PATTERN



DIMENSIONS (mm)

TYPE	a	b	c	d	e	f	g	h	i	j
C	3.70	3.00	0.60	3.20	2.90	4.20	3.30	1.65	2.80	1.27
D	6.90	3.00	0.60	3.20	5.80	7.24	3.30	4.70	2.79	1.27

ECM Part.	No. of Turns	Inductance (nH)	'Q' min	Test Freq. (MHz)	SRF (GHz) min.
ACS-C2N5	1	2.50+/-10%	145	150	>3
ACS-C5N0	2	5.00+/-10%	140	150	>3
ACS-C8N5	3	8.00+/-5%	140	150	>3
ACS-C012	4	12.5+/-5%	137	150	>3
ACS-C018	5	18.5+/-5%	132	150	>3
ACS-D018	6	17.5+/-5%	100	150	>3
ACS-D022	7	22.0+/-5%	102	150	>3
ACS-D028	8	28.0+/-5%	105	150	2.6
ACS-D035	9	35.5+/-5%	112	150	1.8
ACS-D043	10	43.0+/-5%	106	150	1.5

ECM Electronics Limited, Penmaen House, Ashington, West Sussex, RH20 3JR, UK
 Tel: +44(0)1903 892810: Fax: +44(0)1903 892738. Email: ecm@ecmelectronics.co.uk

Although we have attempted to accurately reflect the products we market. ECM reserve the right without prior notice to discontinue any product or make design changes we believe necessary.