

# Fuse Blocks and Clips

For 1 1/2" Long Midget Fuses

## 600 Volt Molded Base Type



Space-saving, 600 volt, molded base fuse blocks with side barriers for isolation. For use with 13/32" x 1 1/2" midget fuses. By sliding and locking blocks together, any number of poles can be achieved. Class CC fuses have a rejection feature on one end cap which mates with the rejection feature of Littelfuse Class CC fuse blocks and fuseholders to prevent the installation of fuses with lower voltage ratings or interrupting ratings.

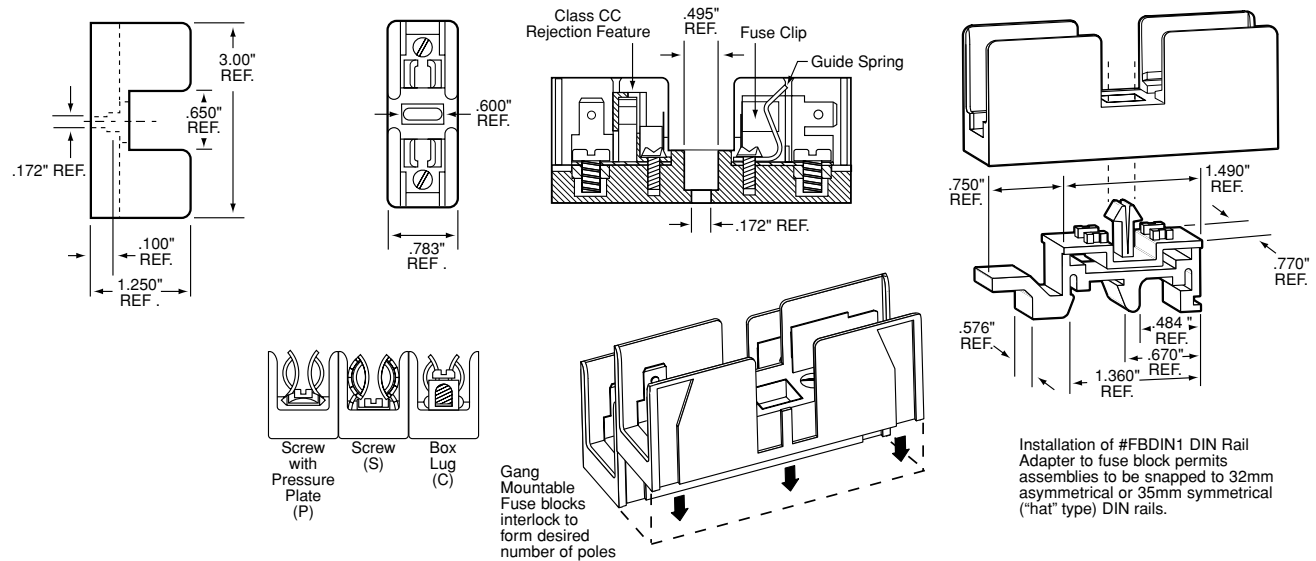
**AGENCY APPROVALS:** Midget Blocks: Recognized under the Components Program of Underwriters Laboratories. Certified by CSA. Class CC Blocks: UL Listed. Certified by CSA.

**SPECIFICATIONS:**

- Electrical:** Screw terminal, pressure plate terminal, and box lug terminals rated for 30 amperes. Q.C. terminals rated for 20 amperes.
- Dielectric Strength:** 1200V Minimum.
- Clip/Terminals:** Tin-Plated Copper Alloy.
- Box Lug:** Copper.
- Screws and Captive Pressure Plate:** Zinc-Plated Steel.
- Reinforcing Spring:** Stainless Steel. Contact factory for availability.
- Base:** Thermoplastic. UL 94V0 flammability rating.
- Ambient Temperature:** 105°C Maximum.

**PATENTED**

**DIMENSIONS:**



**ORDERING INFORMATION:**

| Catalog Number |             | Number of Poles | Connector Type               | Maximum Wire Size |
|----------------|-------------|-----------------|------------------------------|-------------------|
| Midget         | Class CC    |                 |                              |                   |
| L60030M-1C     | L60030C-1C  | 1               | Copper Box Lug               | # 6 CU            |
| L60030M-2C     | L60030C-2C  | 2               | Copper Box Lug               |                   |
| L60030M-3C     | L60030C-3C  | 3               | Copper Box Lug               |                   |
| L60030M-1SQ    | L60030C-1SQ | 1               | Screw/Q.C. Terminal          | #10 CU            |
| L60030M-2SQ    | L60030C-2SQ | 2               | Screw/Q.C. Terminal          |                   |
| L60030M-3SQ    | L60030C-3SQ | 3               | Screw/Q.C. Terminal          |                   |
| L60030M-1PQ    | L60030C-1PQ | 1               | Pressure Plate/Q.C. Terminal | #10 CU            |
| L60030M-2PQ    | L60030C-2PQ | 2               | Pressure Plate/Q.C. Terminal |                   |
| L60030M-3PQ    | L60030C-3PQ | 3               | Pressure Plate/Q.C. Terminal |                   |

DIN Rail Adapter: Part No. FBDIN1.