

2RI60G(2x60A)

POWER DIODE MODULE

1200V,1600V / 60A

2 in one-package

■ Features

- Glass Passivation Chip
- Easy Connection
- Insulated Type

■ Applications

- Inverters
- Battery Chargers
- DC Motors
- General Purpose DC Power Supplies

■ Maximum ratings and characteristics

● Absolute maximum ratings

Item	Symbol	Conditions	Rating		Unit
			-120	-160	
Repetitive peak reverse voltage	V_{RRM}		1200	1600	V
Non-repetitive peak reverse voltage	V_{RSM}		1320	1760	V
Average output current	I_O	50/60Hz Sine wave, $T_c=110^{\circ}\text{C}$	2 x 60		A
Surge current	I_{FSM}	From rated load, Sine wave 10ms	1200		A
I^2t	I^2t	From rated load	6000		A^2s
Operating junction temperature	T_j		-40 to +150		$^{\circ}\text{C}$
Storage temperature	T_{stg}		-40 to +125		$^{\circ}\text{C}$
Isolation voltage	V_{is}		AC2500(1min.)		V
Screw torque			3.5	*1	N·m

*1: Recommendable value : 2.5 to 3.0 N·m(M5)

●Electrical characteristics ($T_a=25^{\circ}\text{C}$ Unless otherwise specified)

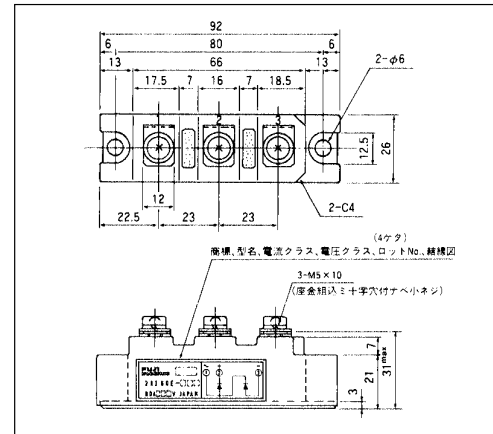
Item	Symbol	Conditions	Min.	Typ.	Max.	Unit
Forward voltage drop	V_{FM}	$T_j=25^{\circ}\text{C}$, $I_{FM}=190\text{A}$			1.40	V
Reverse current	I_{RRM}	$T_j=150^{\circ}\text{C}$, $V_R=V_{RRM}$			20	mA

● Thermal Characteristics

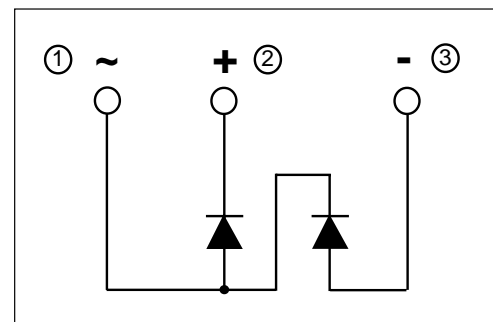
Item	Symbol	Conditions	Min.	Typ.	Max.	Unit
Thermal resistance	$R_{th(j-c)}$	Junction to case			0.25	$^{\circ}\text{C}/\text{W}$
	$R_{th(c-f)}$	the base to cooling fin *			0.10	$^{\circ}\text{C}/\text{W}$

* : With Thermal Compound

■ Outline Drawings, mm

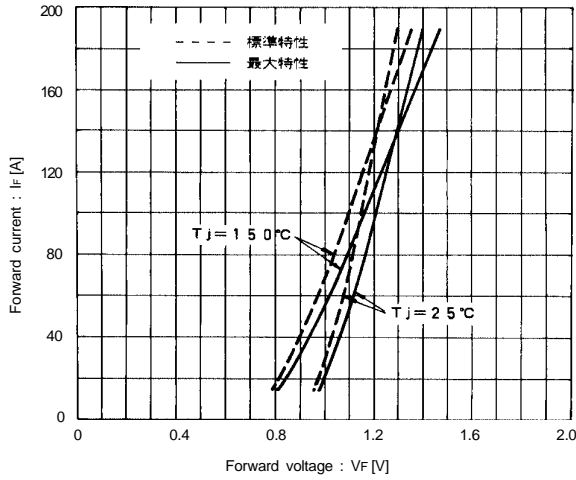


■ Inner Circuit Schematic

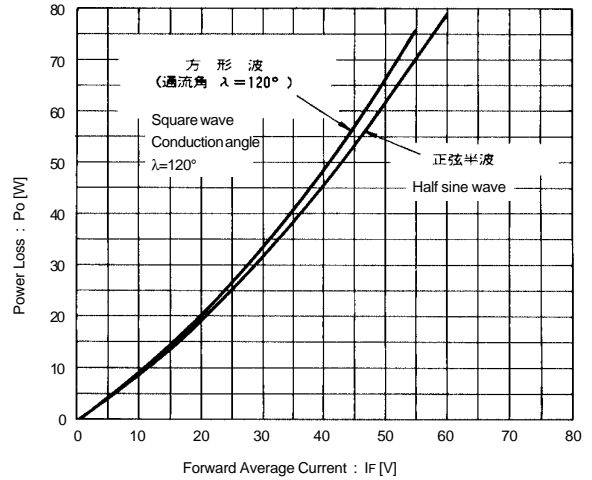


■ Characteristics

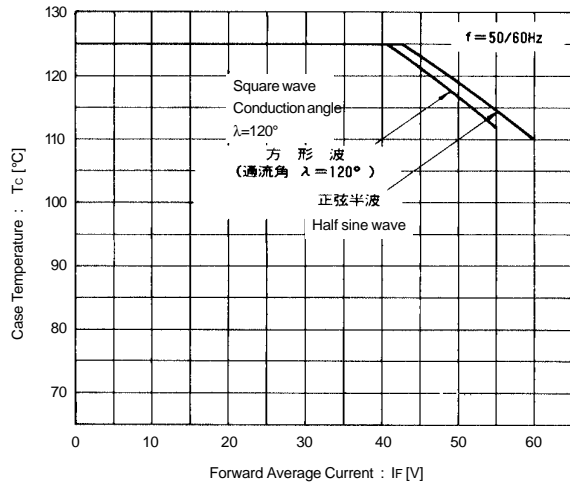
Forward Characteristics



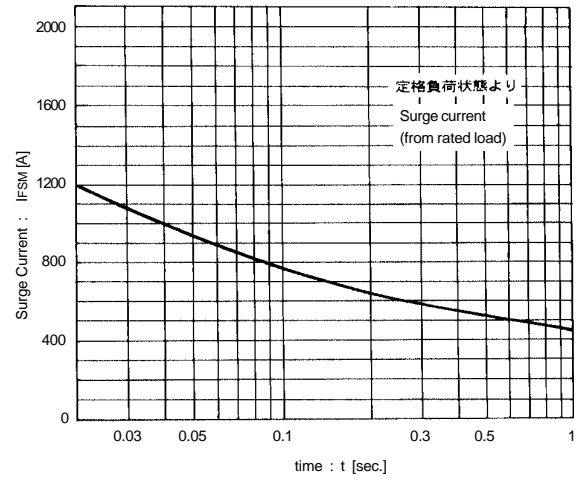
Forward Average Current vs. Power Loss



Forward Average Current vs. Case Temperature



Surge Current



Transient Thermal Impedance

