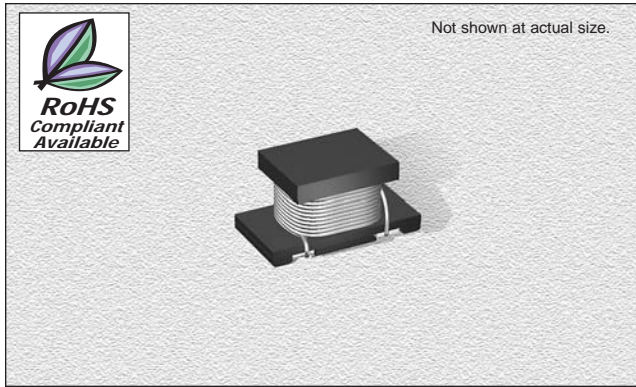


CTLQ1210C Series

From 1.0 μ H to 560 μ H



SPECIFICATIONS

Part numbers indicate available tolerance.

K = $\pm 10\%$, M = $\pm 20\%$

CTLQ1210CE Please specify "F" for RoHS compliant

Part Number	Inductance (μ H)	Test Freq. (Hz)	DCR (Ω) Max.	SRF (MHz) Min.	Rated DC (mA) Max.
CTLQ1210C_-1R0M	1.0	1M	0.12	96	800
CTLQ1210C_-2R2M	2.2	1M	0.18	64	600
CTLQ1210C_-4R7M	4.7	1M	0.28	43	450
CTLQ1210C_-100K	10	1M	0.6	26	300
CTLQ1210C_-220K	22	1M	0.95	19	250
CTLQ1210C_-470K	47	1M	1.8	15	170
CTLQ1210C_-101K	100	1M	5.0	10	100
CTLQ1210C_-221K	220	1M	12	6.8	70
CTLQ1210C_-331K	330	1M	14	5.6	60
CTLQ1210C_-391K	390	1M	23	5.0	60
CTLQ1210C_-471K	470	1K	26	5.0	60
CTLQ1210C_-561K	560	1K	30	5.0	60

PHYSICAL DIMENSIONS

Size	A	B	C	D	E	F Min.	G Min.
mm	3.2 \pm 0.3	2.0 \pm 0.2	2.5 \pm 0.2	2.5 \pm 0.2	2.5 \pm 0.2	0.7	0.7
inches	0.13 \pm 0.01	0.08 \pm 0.008	0.10 \pm 0.008	0.10 \pm 0.008	0.10 \pm 0.008	0.03	0.03

CHARACTERISTICS

Description: SMD power inductor

Applications: Power supplies for VTR, OA equipment, LCD televisions, PC notebooks, portable communication equipment, DC/DC converters, etc.

Operating Temperature: -40°C to +85°C

Inductance Tolerance: K = $\pm 10\%$ & M = $\pm 20\%$

Packaging: Tape & Reel

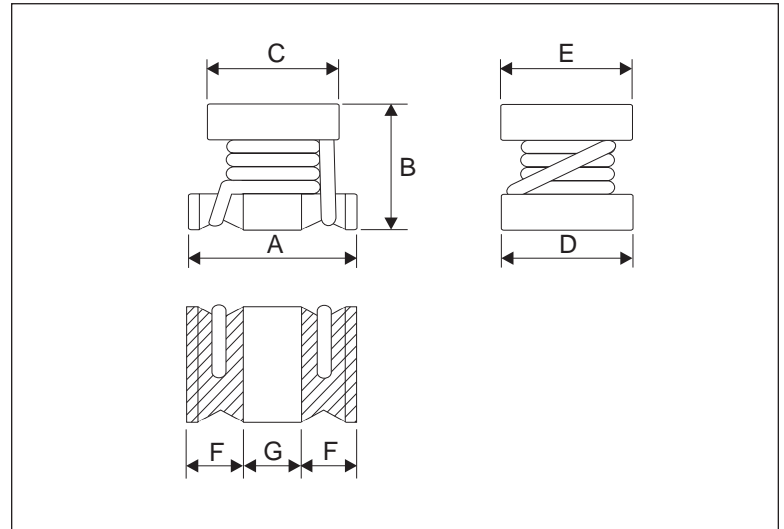
Miscellaneous: RoHS Compliant available.

Testing: Tested on a HP4285A @ specified frequency

Pads: Soft copper and pre-tinned

Additional Information: Additional electrical & physical information available upon request

Samples available. See website for ordering information.



02.15.05



Manufacturer of Inductors, Chokes, Coils, Beads, Transformers & Toroids

800-684-5322 Inside US 949-453-1811 Outside US

Copyright © 2005 by CT Magnetics, DBA Central Technologies. All rights reserved.

CT Magnetics reserves the right to make improvements or change specifications without notice