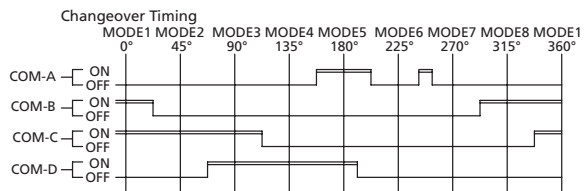
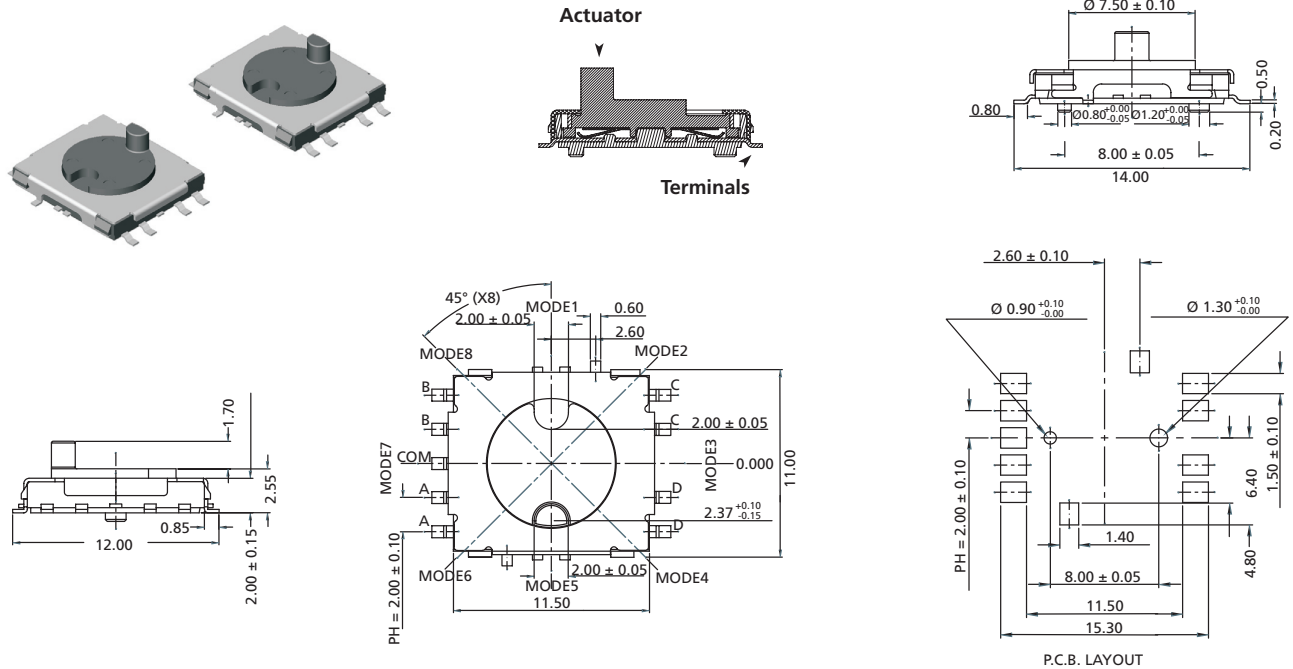


Encoders

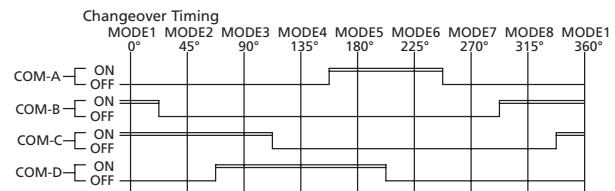
Low Profile SMT Encoder Switches with 8 Sections

EC1 Series



Changeover Angle	MODE1	MODE2	MODE3	MODE4	MODE5	MODE6	MODE7	MODE8
COM-A	OFF	OFF	OFF	OFF	ON	OFF	OFF	OFF
COM-B	ON	OFF	OFF	OFF	OFF	OFF	OFF	ON
COM-C	ON	ON	ON	OFF	OFF	OFF	OFF	OFF
COM-D	OFF	OFF	ON	ON	ON	OFF	OFF	OFF

EC1A 7 Circuit



Changeover Angle	MODE1	MODE2	MODE3	MODE4	MODE5	MODE6	MODE7	MODE8
COM-A	OFF	OFF	OFF	OFF	ON	OFF	OFF	OFF
COM-B	ON	OFF	OFF	OFF	OFF	OFF	OFF	ON
COM-C	ON	ON	ON	OFF	OFF	OFF	OFF	OFF
COM-D	OFF	OFF	ON	ON	ON	OFF	OFF	OFF

EC1K 8 Circuit

How to order:

EC1

1 CIRCUIT & BASE COLOR:

- A 7 Circuit & Black Base
- K 8 Circuit & Brown Base

2 GROUND TERMINAL:

- N Without Ground Terminal (Standard)
- G With Ground Terminal

3 ACTUATING FORCE & COLOR OF ACTUATOR:

- 000 Non-Click & Brown Actuator
- 130 130±50gf & Brown Actuator
- 040 40±30gf & Blue Actuator

4 PACKAGE:

- TR Tape & Reel

General Tolerance: ± 0.2 mm

General Specifications:

FEATURES

- » Surface mounting type low profile encoder switches
- » Non operation feeling type is available

MATERIALS

- » Contact: Alloy copper
- » Spring Plate: Stainless steel
- » Terminal: Brass with silver plated

MECHANICAL

- » Mechanical Life: 200mΩ max. 10,000 cycles
- » Operating Temperature Range: -20°C to +80°C
- » Storage Temperature: -40°C to +85°C

ELECTRICAL

- » Electrical Life: 200mΩ max. 10,000 cycles
- » Non-Switching Rating: 100mA, 50VDC
- » Switching Rating: 25mA, 24VDC

LEADFREE SOLDERING PROCESSES

- » Reflow Soldering: When applying reflow soldering, the peak temperature or the reflow oven should be set to 260°C 10 seconds max.