

Radial Shielded Choke Coil Inductors

**Choke coils shielded construction design
for higher frequency (TCRS)**

▶ Preview

Token TCRS series structure with magnetic shielded construction design and protect by UL or PVC Heat-shrinkable tube. The TCRS features with small size, space savings, wide inductance range, high Q value, low cost, high availability of a large induced current, high self-resonance frequency, small magnetic flux leakage and so on.

Choke coils, also known as: Choke, differential mode inductors, is used to limit the alternating current through the coil, high-frequency and low frequency choke coils.

The TCRS is ideal for notebook computers, inkjet printers, photocopying machines, color TV, VCR, camera, microwave ovens, display monitors, mobile phones, broadband modems, game consoles, lighting equipment, automotive electronics products.

Token will also produce devices outside these specifications to meet specific customer requirements, please contact our sales for more information.

Features :

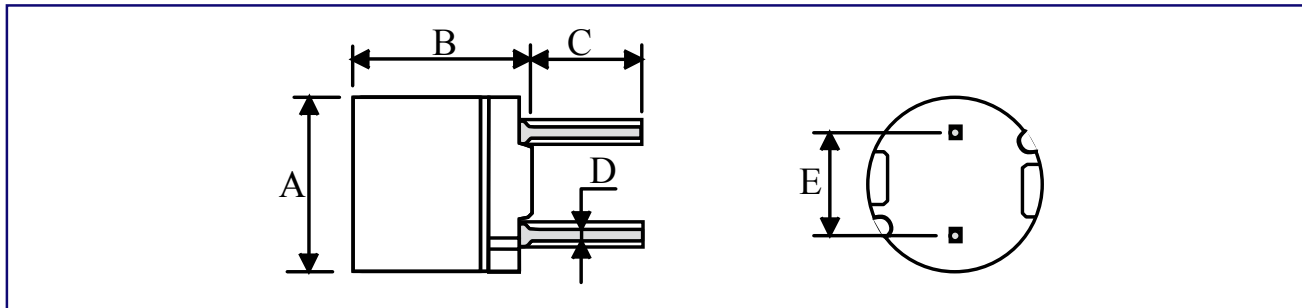
- Magnetic shielded construction.
- Ideal for use as an inductor for high current power supplies in all types of electronic instruments.

Applications :

- Notebook, Inkjet printer, Copying machine,
- Display Monitor, Cellular Phone, ADSL Modem,
- Gaming machine, Color TV, Video tape recorder,
- Microwave Oven, Lighting and Car Electronics.



Configurations & Dimensions



Type	ΦA (max)	B (max)	$C \pm 1.0$	$D \pm 0.05$	$E \pm 0.5$
TCRS0606	6.5	6.5	4.0	0.50	4.0
TCRS0807	8.3	7.5	5.0	0.65	5.0

Note: Design as Customer's Requested Specifications.

(TCRS0606) Electrical Characteristics

Part Number	Inductance(μ H)	Test Freq.(KHz)	DCR (Ω)(max)	IDC (A)(max)
TCRS0606 - 220M	22.00	1	0.130	0.96
TCRS0606 - 270M	27.00	1	0.180	0.87
TCRS0606 - 330M	33.00	1	0.210	0.78
TCRS0606 - 390M	39.00	1	0.260	0.72
TCRS0606 - 470M	47.00	1	0.290	0.66
TCRS0606 - 560M	56.00	1	0.330	0.60
TCRS0606 - 680M	68.00	1	0.360	0.55
TCRS0606 - 820M	82.00	1	0.390	0.50
TCRS0606 - 101M	100.00	1	0.540	0.45
TCRS0606 - 121M	120.00	1	0.620	0.41
TCRS0606 - 151M	150.00	1	0.720	0.37
TCRS0606 - 181M	180.00	1	0.880	0.34
TCRS0606 - 221M	220.00	1	0.990	0.30
TCRS0606 - 271M	270.00	1	1.520	0.27
TCRS0606 - 331M	330.00	1	1.690	0.25
TCRS0606 - 391M	390.00	1	1.850	0.23
TCRS0606 - 471M	470.00	1	2.850	0.21
TCRS0606 - 561M	560.00	1	3.210	0.19
TCRS0606 - 681M	680.00	1	3.600	0.17
TCRS0606 - 821M	820.00	1	4.870	0.16
TCRS0606 - 102M	1000.00	1	5.560	0.14

Note: Test Freq.: 1KHz / 0.25V.

Operating Temp.: -40°C ~ +85°C

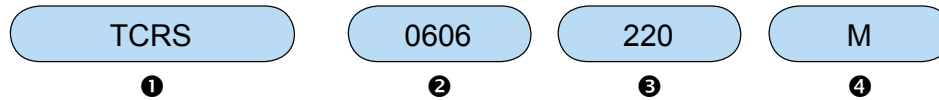
Inductance drop = 10% typ. at IDC.

▶ (TCRS0807) Electrical Characteristics

Part Number	Inductance(μ H)	Test Freq.(KHz)	DCR (Ω)(max)	IDC (A)(max)
TCRS0807 - 220M	22.00	1	0.080	1.60
TCRS0807 - 270M	27.00	1	0.100	1.40
TCRS0807 - 330M	33.00	1	0.140	1.30
TCRS0807 - 390M	39.00	1	0.150	1.20
TCRS0807 - 470M	47.00	1	0.170	1.10
TCRS0807 - 560M	56.00	1	0.190	0.99
TCRS0807 - 680M	68.00	1	0.210	0.89
TCRS0807 - 820M	82.00	1	0.270	0.81
TCRS0807 - 101M	100.00	1	0.320	0.74
TCRS0807 - 121M	120.00	1	0.360	0.67
TCRS0807 - 151M	150.00	1	0.510	0.60
TCRS0807 - 181M	180.00	1	0.570	0.55
TCRS0807 - 221M	220.00	1	0.760	0.50
TCRS0807 - 271M	270.00	1	0.860	0.45
TCRS0807 - 331M	330.00	1	0.970	0.41
TCRS0807 - 391M	390.00	1	1.280	0.37
TCRS0807 - 471M	470.00	1	1.440	0.34
TCRS0807 - 561M	560.00	1	1.610	0.31
TCRS0807 - 681M	680.00	1	2.070	0.28
TCRS0807 - 821M	820.00	1	2.330	0.26
TCRS0807 - 102M	1000.00	1	2.720	0.23
TCRS0807 - 122M	1200.00	1	3.980	0.21
TCRS0807 - 152M	1500.00	1	4.500	0.19
TCRS0807 - 182M	1800.00	1	6.810	0.17
TCRS0807 - 222M	2200.00	1	7.560	0.16
TCRS0807 - 272M	2700.00	1	8.540	0.14
TCRS0807 - 332M	3300.00	1	9.740	0.13
TCRS0807 - 392M	3900.00	1	12.900	0.12
TCRS0807 - 472M	4700.00	1	14.700	0.11
TCRS0807 - 562M	5600.00	1	20.400	0.099
TCRS0807 - 682M	6800.00	1	23.000	0.089
TCRS0807 - 822M	8200.00	1	30.600	0.081
TCRS0807 - 103M	10000.00	1	35.000	0.074

Note: Test Freq.: 1KHz / 0.25V.
 Operating Temp.: -40°C ~ +85°C
 Inductance drop = 10% typ. at IDC.

▶ How to Order



❶ Part Number: TCRS

❷ Size

Code	Size
0606	6.5×6.5mm
0807	8.5×7.3mm

❸ Inductance

Code	Inductance
220	22.00μH
101	100.00μH
102	1000.00μH
103	10000.00μH

❹ Tolerance

Code	Tolerance
J	5%
K	10%
L	15%
M	20%
N	30%
Y	min

[Back to 1st Page - Choke Coil Inductors Radial \(TCRS\)](#)