

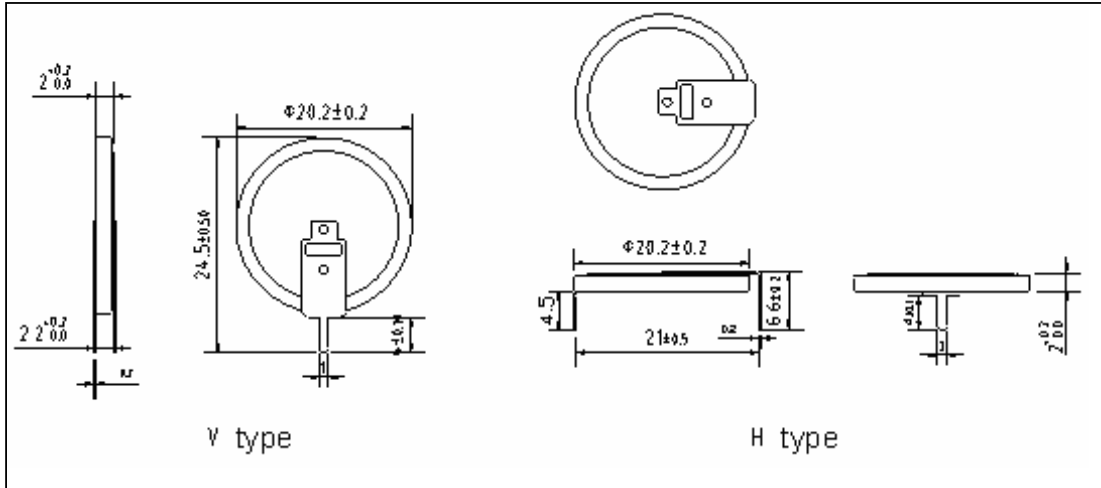


2.7V/3.0F

SC2R7303Z



■ **Dimensions in mm(not to scale)**



■ **Specifications**

Items	Specification
Nominal capacitance	3.0F
Capacitance tolerance	-20%~+80% (at 25°C)
Rated voltage	2.7V
ESR (1kHz)	≤10Ω
Weight	1.76g±0.1g
Dimension (φDxL mm)	Φ20.2x2.0
Solder fashion	V type, H type
Operation temperature	-25 - 70°C
Storage temperature	-40 ~ 85°C
High/low temperature characteristics	From -25°C to +70°C, ΔC ≤ 30% and ESR ≤ 4 times of initially measured values
Moistureproof characteristics	After fully charge, storage 500 hours at 55°C:and 90-95%RH, ΔC ≤ 30% and ESR ≤ 4 times of initially measured values
Load life test	After 1,000 hours application under 2.7V DC at 70°C, ΔC ≤ 30% of the initial value and ESR ≤4 times of initially measured values
Cycle life	Charge-discharge for 100,000 cycles at 2.7V and 25°C, ΔC ≤ 30% and ESR ≤4 times of initially measured value

Supercapacitor

■ Features

- RoHS compliant
- High capacitance and low resistance for long cycle life applications
- Small sized, light weight and maintenance free
- Wider temperature range(-25 ~ 70°C)

■ Applications

Primary or back-up power supply for video, audio, camera, printer, hand held scanner, telephone, car stereo, computer, toy, LED display, relay, electric buzzer, etc

■ Product list:

Part Number	Rated Voltage(V)	Nominal Capacitance(F)	ESR (Ω) (@1kHz)	Dimension (mm)		Solder Type
				Φ	L (or) T	
SR2R5223Z	2.5	2.2	≤ 0.28	10.0 ± 0.1	21.0 ± 0.2	
SR2R5333Z	2.5	3.3	≤ 0.15	10.0 ± 0.1	21.0 ± 0.2	
SR2R5473Z	2.5	4.7	≤ 0.10	13.0 ± 0.1	21.0 ± 0.2	
SR2R5104Z	2.5	10	≤ 0.05	13.0 ± 0.1	34.0 ± 0.2	
SR2R5204Z	2.5	20	≤ 0.04	16.0 ± 0.1	34.0 ± 0.2	
SR2R5304Z	2.5	30	≤ 0.03	16.0 ± 0.1	32.0 ± 0.2	
SR2R5504Z	2.5	50	≤ 0.02	18.0 ± 0.1	32.0 ± 0.2	
SR2R5105Z	2.5	100	≤ 0.02	22.0 ± 0.2	54.0 ± 0.2	
SR2R5125Z	2.5	120	≤ 0.02	22.0 ± 0.2	45.0 ± 0.2	
SC2R7302Z	2.7	0.3	≤ 70	7.05 ± 0.1	2.5 ± 0.2	V type
SC2R7702Z	2.7	0.7	≤ 30	9.65 ± 0.1	2.7 ± 0.2	V type, H type
SC2R7103Z	2.7	1.0	≤ 25	12.75 ± 0.1	2.4 ± 0.2	V type, H type
SC2R7203Z	2.7	2.0	≤ 15	16.3 ± 0.1	2.4 ± 0.2	V type, H type
SC2R7303Z	2.7	3.0	≤ 10	20.2 ± 0.1	2.0 ± 0.2	V type, H type
SC2R7603Z	2.7	6.0	≤ 6	20.3 ± 0.1	3.3 ± 0.2	V type, H type
SC2R7803Z	2.7	8.0	≤ 5	24.8 ± 0.1	3.5 ± 0.2	V type, H type
SC5R5152Z	5.5	0.15	≤ 150	7.05 ± 0.1	5.0 ± 0.2	V type
SC5R5222Z	5.5	0.22	≤ 70	9.65 ± 0.1	4.6 ± 0.2	V type, H type
SC5R5332Z	5.5	0.33	≤ 60	9.65 ± 0.1	6.0 ± 0.2	V type, H type
SC5R5472Z	5.5	0.47	≤ 45	12.75 ± 0.1	4.3 ± 0.2	V type, H type
SC5R5802Z	5.5	0.8	≤ 40	20.8 ± 0.1	7.2 ± 0.2	C, H, V type
SC5R5103Z	5.5	1.0	≤ 35	20.8 ± 0.1	7.2 ± 0.2	C, H, V type
SC5R5153Z	5.5	1.5	≤ 24	20.2 ± 0.1	3.7 ± 0.2	V type, H type
SC5R5303Z	5.5	3.0	≤ 15	20.3 ± 0.1	6.7 ± 0.2	V type, H type
SC5R5403Z	5.5	4.0	≤ 15	24.8 ± 0.1	6.5 ± 0.2	V type, H type

■ Part Number System

