

Leaded Varistors

HICAP; SHCV Series

Construction

- Combination of a multilayer ceramic capacitor and a multilayer varistor, leaded
- Coating: epoxy resin, flame-retardant to UL 94 V-0
- Terminals: tinned iron wire

Features

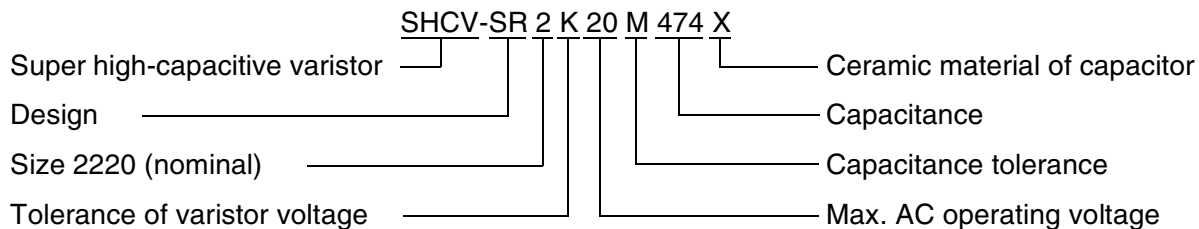
- High capacitance (up to 4,7 μF)
- Overvoltage protection and RFI suppression provided by a single component
- Load-dump withstand capability
- Jump-start strength
- PSpice models

Taping

- Upon request

Type designation

Detailed description of coding system on page 39, chapter "General Technical Information"



General technical data

Climatic category	X ¹⁾ Z ²⁾	40/85/56 25/85/56	in accordance with IEC 60068-1
LCT	X	- 40 °C	
	Z	- 25 °C	
UCT	X	+ 85 °C	
	Z	+ 85 °C	in accordance with IEC 60068-2-3
Damp heat, steady state (93 % r.h., 40 °C)		56 days	
Operating temperature (full load)	X	- 40 ... + 85 °C	in accordance with CECC 42 000
	Z	- 25 ... + 85 °C	
Storage temperature	X	- 40 ... + 125 °C	
	Z	- 25 ... + 85 °C	
Electric strength		$\geq 1,0 \text{ kV}_{\text{RMS}}$	in accordance with CECC 42 000
Insulation resistance		$\geq 1,0 \text{ G}\Omega$	in accordance with CECC 42 000
Response time		< 25 ns	

1) Ceramic material: X = X7R

2) Ceramic material: Z = Z5U



Leaded Varistors

HICAP; SHCV Series

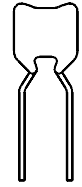
Maximum ratings ($T_A = 85\text{ °C}$)

Type (untaped) SHCV-	Ordering code	V_{RMS} V	V_{DC} V	i_{max} 8/20 μ s A	W_{max} (2 ms) J	P_{max} W	W_{LD} (10x) J
SR1S14BM474X	B72587E3140S200	14	16	800	2,4	0,015	6
SR2S14BM474X	B72547E3140S200	14	16	1200	5,8	0,030	12
SR1S14BM105Z	B72588G3140S200	14	16	800	2,4	0,015	6
SR1S14BM155Z	B72588H3140S200	14	16	800	2,4	0,015	6
SR2S14BM105Z	B72548G3140S200	14	16	1200	5,8	0,030	12
SR2S14BM155Z	B72548H3140S200	14	16	1200	5,8	0,030	12
SR2S14BM475Z	B72548L3140S200	14	16	1200	5,8	0,030	12
SR1K20M474X	B72587E3200K000	20	26	800	3,0	0,015	6
SR2K20M474X	B72547E3200K000	20	26	1200	7,8	0,030	12
SR1K20M105Z	B72588G3200K000	20	26	800	3,0	0,015	6
SR1K20M155Z	B72588H3200K000	20	26	800	3,0	0,015	6
SR1K20M225Z	B72588J3200K000	20	26	800	3,0	0,015	6
SR2K20M105Z	B72548G3200K000	20	26	1200	7,8	0,030	12
SR2K20M155Z	B72548H3200K000	20	26	1200	7,8	0,030	12

Characteristics ($T_A = 25\text{ °C}$)

Type (untaped) SHCV-	V_{Jump} (5 min) V	V_V (1 mA) V	ΔV_V (1 mA) %	Max. clamping voltage		$C \pm 20\%$ (1 kHz) μ F ¹⁾	Derating curve Page	V/I char- acteristic Page
				v V	i A			
SR1S14BM474X	24,5	22	+ 23/- 0	40	5,0	0,47	244	272
SR2S14BM474X	24,5	22	+ 23/- 0	40	10,0	0,47	245	272
SR1S14BM105Z	24,5	22	+ 23/- 0	40	5,0	1,00	244	272
SR1S14BM155Z	24,5	22	+ 23/- 0	40	5,0	1,50	244	272
SR2S14BM105Z	24,5	22	+ 23/- 0	40	10,0	1,00	245	272
SR2S14BM155Z	24,5	22	+ 23/- 0	40	10,0	1,50	245	272
SR2S14BM475Z	24,5	22	+ 23/- 0	40	10,0	4,70	245	272
SR1K20M474X	26,0	33	\pm 10	58	5,0	0,47	244	270
SR2K20M474X	26,0	33	\pm 10	58	10,0	0,47	245	271
SR1K20M105Z	26,0	33	\pm 10	58	5,0	1,00	244	270
SR1K20M155Z	26,0	33	\pm 10	58	5,0	1,50	244	270
SR1K20M225Z	26,0	33	\pm 10	58	5,0	2,20	244	270
SR2K20M105Z	26,0	33	\pm 10	58	10,0	1,00	245	271
SR2K20M155Z	26,0	33	\pm 10	58	10,0	1,50	245	271

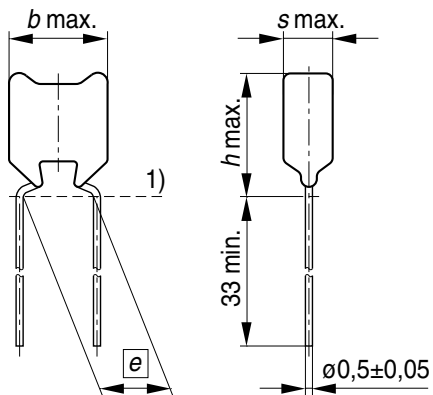
1) at 0,5 V



Leaded Varistors
HICAP; SHCV Series

Notes

- If the maximum loads specified for load dump and jump start are fully utilized, subsequent polarity reversal of the AUTO varistors are inadmissible.
- If the load remains under the maximum ratings, polarity reversal may be admissible. Contact EPCOS for consultancy on this kind of problem.
- Load dump or jump start can decrease the varistor voltage in load direction by max. 15 %.
- Load dump: min. time of energy input 40 ms, interval 60 s.



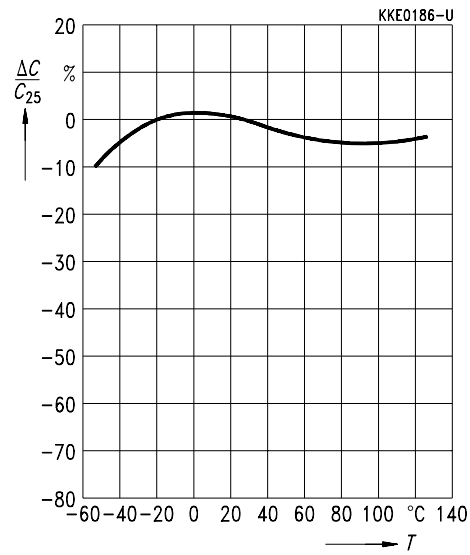
$e = 5,0 \pm 1$
Offset = $0,0 \pm 1$

1) Seating plane according to IEC 60717
VAR0394B

Weight:
approx. 1 g

Typical characteristics of X7R-MLCC²⁾

Capacitance change $\Delta C/C_{25}$
versus temperature T

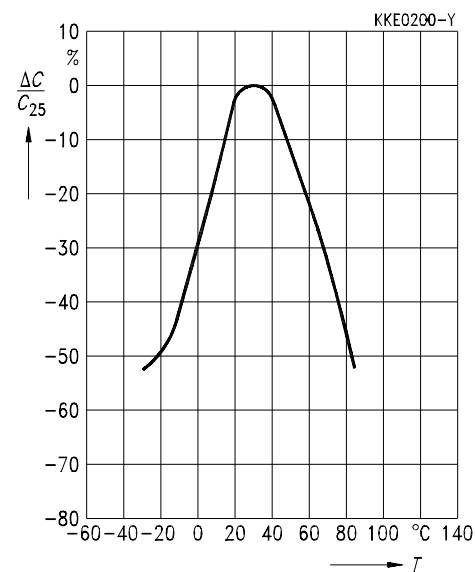


Dimensions

Type	b_{max} mm	s_{max} mm	h_{max} mm
SHCV-SR1 ... 474X	7,3	3,7	7,8
SHCV-SR1 ... 105Z	7,3	3,7	7,8
SHCV-SR1 ... 155Z	7,3	3,7	7,8
SHCV-SR1 ... 225Z	7,3	4,1	7,8
SHCV-SR2 ... 474X	7,8	3,6	9,0
SHCV-SR2 ... 105Z	7,8	4,1	9,0
SHCV-SR2 ... 155Z	7,8	4,1	9,0
SHCV-SR2 ... 475Z	7,8	4,1	9,0

Typical characteristics of Z5U-MLCC²⁾

Capacitance change $\Delta C/C_{25}$
versus temperature T



2) MLCC: Multilayer chip capacitors

Herausgegeben von EPCOS AG

Unternehmenskommunikation, Postfach 80 17 09, 81617 München, DEUTSCHLAND

☎ ++49 89 636 09, FAX (0 89) 636-2 26 89

© EPCOS AG 2002. Vervielfältigung, Veröffentlichung, Verbreitung und Verwertung dieser Broschüre und ihres Inhalts ohne ausdrückliche Genehmigung der EPCOS AG nicht gestattet.

Bestellungen unterliegen den vom ZVEI empfohlenen Allgemeinen Lieferbedingungen für Erzeugnisse und Leistungen der Elektroindustrie, soweit nichts anderes vereinbart wird.

Diese Broschüre ersetzt die vorige Ausgabe.

Fragen über Technik, Preise und Liefermöglichkeiten richten Sie bitte an den Ihnen nächstgelegenen Vertrieb der EPCOS AG oder an unsere Vertriebsgesellschaften im Ausland. Bauelemente können aufgrund technischer Erfordernisse Gefahrstoffe enthalten. Auskünfte darüber bitten wir unter Angabe des betreffenden Typs ebenfalls über die zuständige Vertriebsgesellschaft einzuholen.

Published by EPCOS AG

Corporate Communications, P.O. Box 80 17 09, 81617 Munich, GERMANY

☎ ++49 89 636 09, FAX (0 89) 636-2 26 89

© EPCOS AG 2002. Reproduction, publication and dissemination of this brochure and the information contained therein without EPCOS' prior express consent is prohibited.

Purchase orders are subject to the General Conditions for the Supply of Products and Services of the Electrical and Electronics Industry recommended by the ZVEI (German Electrical and Electronic Manufacturers' Association), unless otherwise agreed.

This brochure replaces the previous edition.

For questions on technology, prices and delivery please contact the Sales Offices of EPCOS AG or the international Representatives.

Due to technical requirements components may contain dangerous substances. For information on the type in question please also contact one of our Sales Offices.