

MODEL TMPRT - SURFACE MOUNT AND PIPE PLUG RTD SENSORS



SURFACE MOUNT



PIPE PLUG

MODEL TMPRT - ADVANCED DESIGN SURFACE MOUNT RTD SENSOR

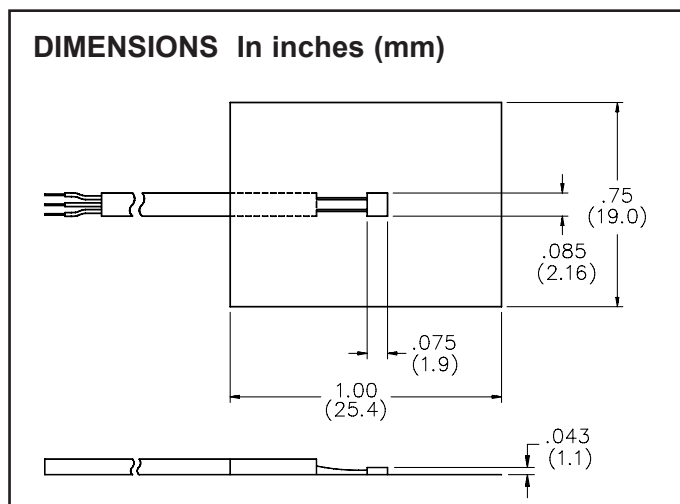
GENERAL DESCRIPTION

Model TMPRT "stick-on" style RTD temperature sensor mounts on flat surfaces and provides Class B accuracy for critical monitoring applications. Based on a bare 2 X 2 X 0.08 mm thin film platinum RTD, the unit is supplied in a Neoflon PFA insulated configuration and can be easily applied using its self-adhesive backing. Some of the applications of this versatile RTD sensor include monitoring chip, heat sink, and environmental temperatures in electronic devices; checking piping or ducting temperatures; monitoring motor and transformer core heat; testing insulation capabilities, as well as checking other applications in which surface and/or gradient temperatures need to be monitored and controlled.

- 100 Ω DIN CLASS B (± 0.12 % AT 0 °C) ACCURACY STANDARD
- EASY-INSTALLATION SILICONE BASED, SELF BACKING RATED TO 260 °C (500 °F)
- SENSOR CAN BE REAPPLIED
- STRIPPED 3 WIRE LEADS (CONNECTORS SOLD SEPARATELY)
- 10 FOOT LEAD LENGTH
- IDEAL FOR FLAT OR CURVED SURFACES

SPECIFICATIONS

- MINIMUM/MAXIMUM TEMPERATURE:**
-73 °C (-100 °F) to 260 °C (500 °F) continuous
- SENSING ELEMENT:** 100 Ω at 0 °C (32 °F)
Temperature coefficient of 0.00385 Ω/Ω/°C (IEC60751)
- ACCURACY:** ± 0.12% at 0 °C (DIN Class B)
- RESPONSE TIME:** Less than 0.9 sec (63% response time in water flowing at 3 feet per second), less than 2 sec response time on a hot plate.
- LEAD WIRE:** 10 foot 26 AWG stranded nickel plated copper, Neoflon PFA-insulated and jacket cable
- ADHESIVE PAD DIMENSIONS:** 1 x ¾" (25 X 19 mm)



ORDERING INFORMATION

MODEL NO.	DESCRIPTION	INSULATION TYPE	TERMINATION (COLD SIDE)	CABLE LENGTH (IN FEET)	PART NUMBER
TMPRT	SMT RTD	NEOFロン PFA	Stripped Wire Bare Ends	10	TMPRT001

MODEL TMPRT - PIPE PLUG RTD SENSOR

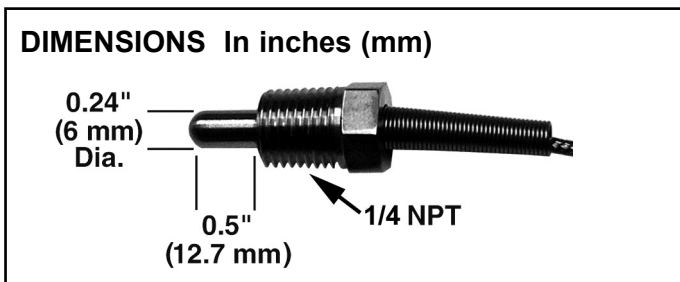
GENERAL DESCRIPTION

The pipe plug RTD sensor is a unit specially designed for use in pressure vessel applications. Its 3 wire construction provides connectivity to most hand held instruments with Red/Red/White per IE/ASTM-E-1137. The unit features a high accuracy 100 Ω Class A DIN platinum element and steel braided, Neoflon PFA insulated wires for the necessary durability and protection demanded by harsher environments.

- IDEAL FOR USE IN PRESSURE VESSEL APPLICATIONS, 172 BAR (2500 PSI) MAXIMUM
- 6 MM (0.24") DIAMETER, SST PROBE
- STEEL BRAIDED, NEOFロン PFA INSULATED LEAD WIRES
- HIGH ACCURACY 100 Ω CLASS A DIN PLATINUM ELEMENT (ALPHA = 0.00385)
- STRAIN RELIEF SPRING

SPECIFICATIONS

1. **WIRE:** 6' long 26 AWG insulated Neoflon PFA
2. **MAX TEMPERATURE:** 230 °C (450 °F)
3. **TERMINATION:** Stripped bare wire ends
4. **OVERBRAID:** Stainless Steel
5. **THREADS:** 1/4" NPT
6. **SENSING ELEMENT END DIAMETER:** 0.24" (6mm)



ORDERING INFORMATION

MODEL NO.	DESCRIPTION	CABLE LENGTH (IN FEET)	TERMINATION (COLD SIDE)	PART NUMBER
TMPRT	Pipe Plug RTD Sensor	6'	Stripped Bare Wire Ends	TMPRT002

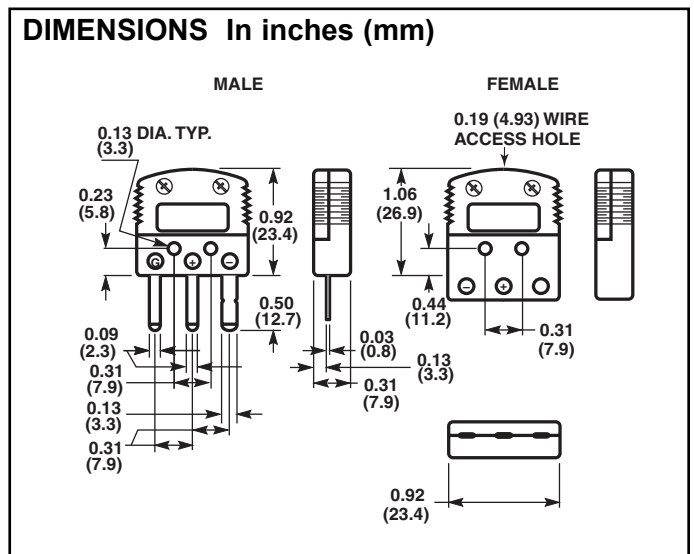
MODEL TMPCN - RTD PROBE CONNECTORS

GENERAL DESCRIPTION

RTD Mini Connectors are for use with RTD probes. They are miniature size, and are available in both male and female termination.

SPECIFICATIONS

1. **CONNECTOR BODY MATERIAL:** Glass Filled Nylon, for temperature ranges of -29 to 220 °C.
2. **CONNECTOR BODY COLOR:** White
3. **WIRE GAGE:** Accepts stranded or solid wire up to 20 AWG
4. **WIRE TERMINATION:** Combination Phillips/Slot Screws
5. **CONNECTOR ENDS:** Copper



ORDERING INFORMATION

MODEL NO.	DESCRIPTION	TYPE	TERMINATION	PART NUMBER
TMPCN	RTD Miniature Male Connector	U	Male	TMPCNM09
	RTD Miniature Female Connector	U	Female	TMPCNM10