

## Single Phase Bridge Rectifier

### Features

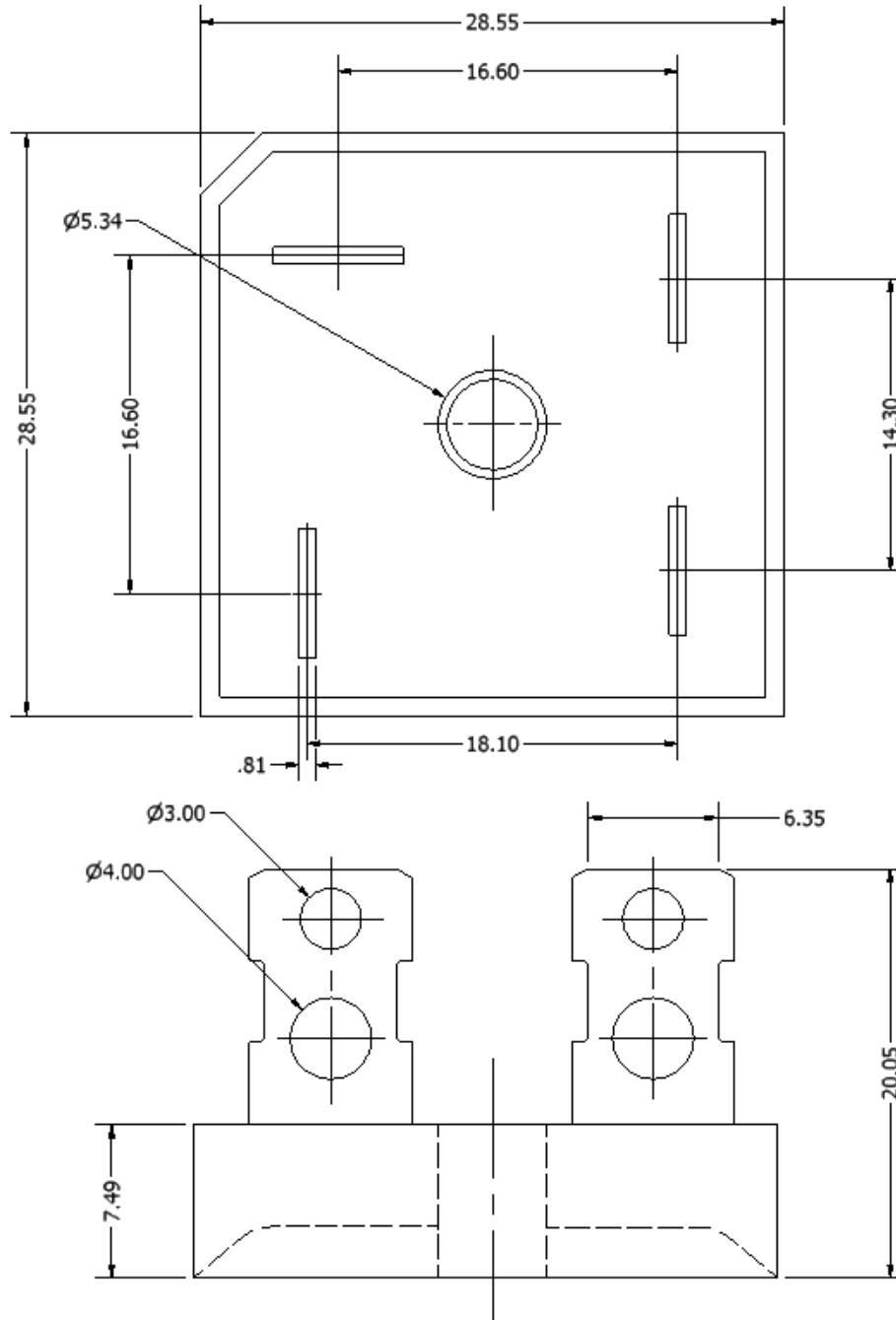
- Glass passivated chip junction
- Surge capability of 150 A
- High efficiency
- Electrically isolated metal case for maximum heat dissipation
- Mounting: thru hole for # 6 screw

Thermal and Mechanical Specifications ( $T_A = 25^{\circ}\text{C}$ unless otherwise noted)			
Parameters	Symbol	Values	Units
Maximum operating junction temperature range	$T_J$	- 55 to + 125	$^{\circ}\text{C}$
Maximum storage temperature range	$T_{\text{Stg}}$	- 55 to + 150	$^{\circ}\text{C}$
Approximate weight	$W_T$	30	g



GBPC

Voltage Ratings ( $T_A = 25^{\circ}\text{C}$ unless otherwise noted)										
Parameter	Symbol	10MB							Units	
Maximum repetitive peak reverse voltage	$V_{\text{RRM}}$	50	100	200	400	600	800	1000	V	
Maximum RMS voltage	$V_{\text{RMS}}$	35	70	140	280	420	560	700	V	
Maximum DC blocking voltage	$V_{\text{DC}}$	50	100	200	400	600	800	1000	V	
Maximum average forward output current	$I_{\text{F(AV)}}$	10.0							A	
Peak forward surge current (10ms) single half sine-wave superimposed on rated load	$I_{\text{FSM}}$	150							A	
Maximum DC forward voltage drop per element @ 7.5 A	$V_{\text{F}}$	1.1							V	
Maximum DC reverse current at rated DC blocking voltage per element	$T_A = 25^{\circ}\text{C}$	$I_{\text{R}}$	5.0							$\mu\text{A}$
	$T_A = 125^{\circ}\text{C}$		500							



ALL DIMENSIONS ARE IN MM