



SF161 THRU SF168

SUPER FAST RECOVERY RECTIFIER

VOLTAGE: 50-600V

CURRENT: 16.0A

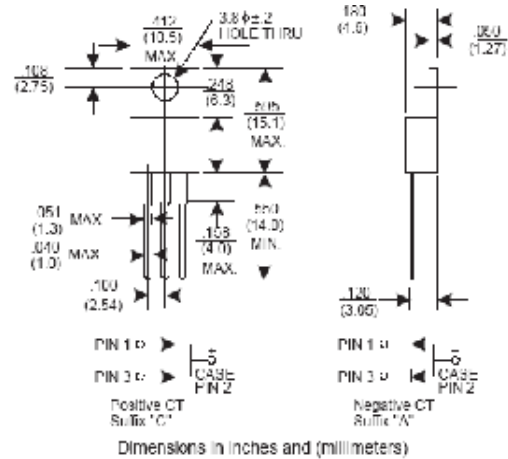
FEATURES

- High reliability
- Low leakage
- Low forward voltage
- High current capability
- Super fast switching speed
- High surge capability
- Good for switching mode circuit

MECHANICAL DATA

- **Case:** Molded plastic
- **Epoxy:** UL94V-0 rate flame retardant
- **Lead:** MIL-STD- 202E, Method 208 guaranteed
- **Polarity:** Color band denotes cathode end
- **Mounting position:** Any
- **Weight:** 2.24 grams

To-220



MAXIMUM RATINGS AND ELECTRONICAL CHARACTERISTICS

Ratings at 25°C ambient temperature unless otherwise specified.

Single phase, half wave, 60Hz, resistive or inductive load.

For capacitive load, derate current by 20%.

	SYMBOL	SF161	SF162	SF163	SF164	SF165	SF166	SF168	units
Maximum Recurrent Peak Reverse Voltage	V_{RRM}	50	100	150	200	300	400	600	V
Maximum RMS Voltage	V_{RMS}	35	70	105	140	210	280	420	V
Maximum DC Blocking Voltage	V_{DC}	50	100	150	200	300	400	600	V
Maximum Average Forward rectified Current at $T_A=125^\circ C$	I_o	16.0							A
Peak Forward Surge Current 8.3ms single half sine-wave superimposed on rate load (JEDEC method)	I_{FSM}	200							A
Maximum Instantaneous forward Voltage at 8.0A DC	V_F	0.95			1.3		1.7		V
Maximum DC Reverse Current at Rated DC Blocking Voltage $T_A=25^\circ C$	I_R	10.0							μA
Maximum Full Load Reverse Current Full Cycle Average, .375"(9.5mm) lead length at $T_L=75^\circ C$		100							
Maximum Reverse Recovery Time (Note 1)	t_{rr}	35			50			nS	
Typical Junction Capacitance (Note 2)	C_J	15			10			pF	

Notes: 1. Test Conditions: $I_F=0.5A$, $I_R=1.0A$, $I_{RR}=0.25A$

2. Measured at 1MHz and applied reverse voltage of 4.0 volts