



The RSF70 series is designed for external fitting, achieved with a high grade compression seal. This avoids the need for access to the inside of the chamber and is ideally suited to applications where space or fitting time are prime considerations.

They are manufactured in a variety of materials, with a choice of gasket materials, to suit most commonly used liquids.

The switch action may be reversed by rotating the device through 180°.

Typical applications include auxilliary tanks on vehicles and commercial dishwashers.



- **External Mount**
- **Fast Fitting**
- **Compact size**
- **WRAS Approval**
- **Many variants are UL recognised components file number E171218**

Technical Specification		RSF73	RSF74	RSF76
Material		Nylon	Polypropylene	Polyphenylene Sulphide (PPS)
Colour		Black	Opaque	Grey
Temp. Range	°C	-20 / +75	-20 / +100	-10 / +120*
	°F	-4 / +167	-4 / +212	+14 / +248*
Min. Fluid S.G.		0.85	0.85	0.85
Must Close Level (S.G.=1)		7mm	8mm	9mm
Must Open Level (S.G.=1)		20mm	20mm	24mm

*Maximum temperature requires ETFE cable to be specified.

Electrical Specification	
Contact Form	N/O (N/C)
Switching Power Max. VA	25
Switching Voltage AC Max.	240
Switching Voltage DC Max.	120
Switching Current Max. A	0.6

All ratings are for resistive load only.

Standard Parts	Material	Leadouts	Gaskets
RSF73Y100RN	Nylon	1.0m PVC 16/0.2 UL approved	Nitrile
RSF74Y100RN	Polypropylene	1.0m PVC 16/0.2 UL approved	Nitrile
RSF76Y100RN	PPS	1.0m PVC 16/0.2 UL approved	Nitrile

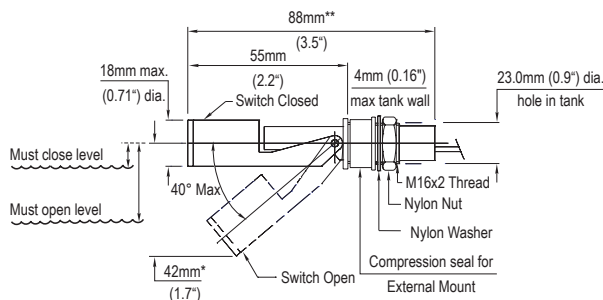
Custom versions can be made for particular applications. Please contact Cynergy3 with your requirements.

USA
Cynergy3 Components
2320 Paseo de las Americas, Suite 104
San Diego, CA 92154
Sales & Tech Support (866) 258-5057
Email: sales@cynergy3.com

EUROPE - UK
Cynergy3 Components Ltd.
7 Cobham Road
Ferndown Industrial Estate
Wimborne, Dorset BH21 7PE
Telephone +44 (0) 1202 897969
Fax +44 (0) 1202 891918
Email:sales@cynergy3.com

Mechanical Dimensions

All dimensions are in millimeters (inches)



* 49mm RSF76
** Add 10mm to dims. RSF76