



The RSF10 series drop float has been designed to eliminate problems associated with limescale build up around the pivot point of a conventional float switch. It is also suitable in more viscous liquids, that might affect the pivot action of a standard float type.



- **Pivot Clear of Liquid**
- **Compact design**
- **Available in Polypropylene or PPS**
- **Many variants are UL recognised components File No. E171218**
- **WRAS approval**

The drop float actuator allows the switch housing and float pivots to be located above the surface of the liquid and provides normally closed switch contact, opening as the liquid level rises. They are manufactured in a variety of materials, with a choice of gasket materials, to suit most commonly used liquids.

Typical applications include wall kettles and hot vending machines.

Technical Specification	RSF14	RSF16
Material	Polypropylene	Polyphenylene Sulphide (PPS)
Colour	Opaque	Grey
Temp. Range °C	-20 / +100	-10 / +120*
°F	-4 / +212	+14 / +248*
Min. Fluid S.G.	0.75	0.75
Must Close Level (S.G.=1)	39mm	33mm
Must Open Level (S.G.=1)	24mm	22mm

\*Maximum temperature requires ETFE cable to be specified.

Electrical Specification	
Contact Form	N/C
Switching Power Max. VA	25
Switching Voltage AC Max.	240
Switching Voltage DC Max.	120
Switching Current Max. A	0.6

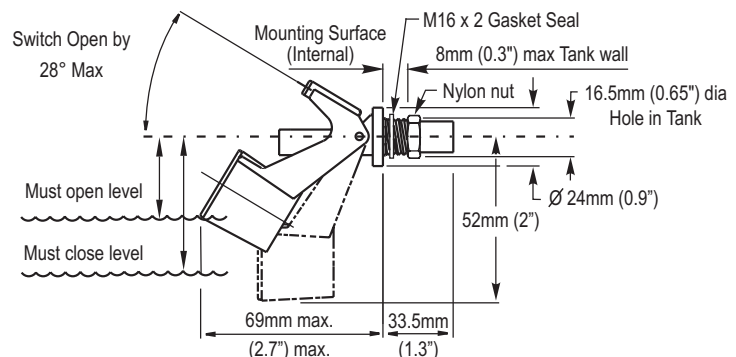
All ratings are for resistive load only.

Standard Parts	Material	Leadouts	Gaskets
RSF14Y100RF	Polypropylene	1.0m PVC 16/0.2 UL approved	Nitrile
RSF16Y100RF	PPS	1.0m PVC 16/0.2 UL approved	Nitrile

Custom versions can be made for particular applications. Please contact Cynergy<sup>3</sup> with your requirements.

**Mechanical Dimensions**

All dimensions are in millimeters (inches)



**USA**

Cynergy3 Components  
2320 Paseo de las Americas, Suite 104  
San Diego, CA 92154  
Sales & Tech Support (866) 258-5057  
Email: sales@cynergy3.com

**EUROPE - UK**

Cynergy3 Components Ltd.  
7 Cobham Road  
Ferndown Industrial Estate  
Wimborne, Dorset BH21 7PE  
Telephone +44 (0) 1202 897969  
Fax +44 (0) 1202 891918  
Email:sales@cynergy3.com