

Under Development

## Square type Optical Fiber Transmitter / Receiver Unit for 3V Operation and Double Speed

[GP1FA313TZ/RZ, GP1FA352TZ/RZ]

### Features

- Double speed for high quality audio signal I/O (Data rate: MAX. 15.5 Mbps)
- Low voltage operation ( $V_{CC}$ =2.7 to 3.6V)
- Low current consumption

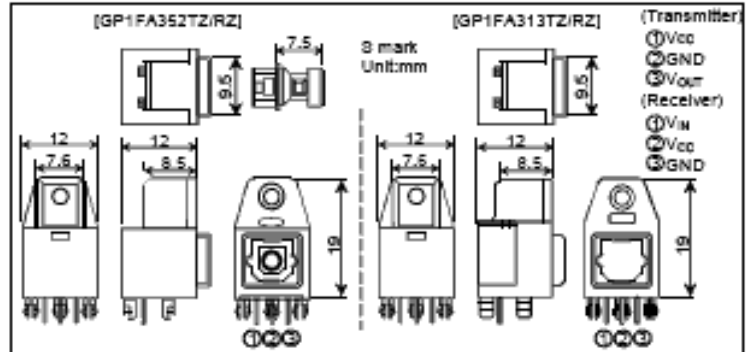
### Applications

- DVD player
- AV amplifier

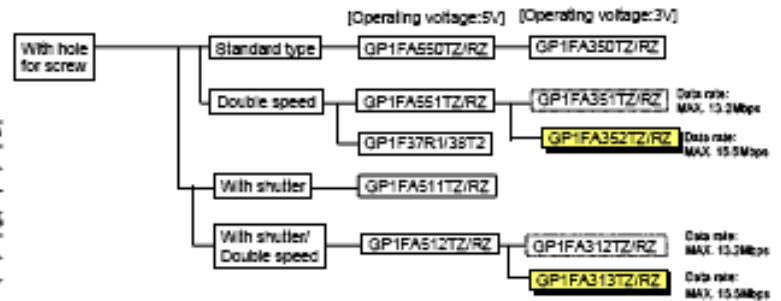
### Development of Square type optical fiber for double speed



### Outline dimensions



### Line-up of Square type Optical fiber unit



### Specifications

| Transmitter                        |             |                 | Receiver                    |            |                 |
|------------------------------------|-------------|-----------------|-----------------------------|------------|-----------------|
| Parameter                          | Symbol      | Characteristics | Parameter                   | Symbol     | Characteristics |
| Operating supply voltage           | $V_{CC}$    | 2.7 to 3.6 V    | Operating supply voltage    | $V_{CC}$   | 2.7 to 3.6 V    |
| Consumption current                | $I_{CC}$    | MAX. 12 mA      | Consumption current         | $I_{CC}$   | MAX. 15 mA      |
| Peak emission wavelength           | $\lambda_p$ | TYP. 680 nm     | Minimum input optical level | $P_{0dBm}$ | MAX. -27 dBm    |
| Optical output coupling with fiber | $P_c$       | MIN. -21 dBm    | Data rate                   | f          | MAX. 15.5 Mbps  |
| Data rate                          | f           | MAX. 15.5 Mbps  | Jitter                      | j          | TYP. 1 ns       |
| Jitter                             | j           | TYP. 1 ns       | Operating temperature       | $T_{op}$   | -20 to +70 °C   |
| Operating temperature              | $T_{op}$    | -20 to +70 °C   |                             |            |                 |