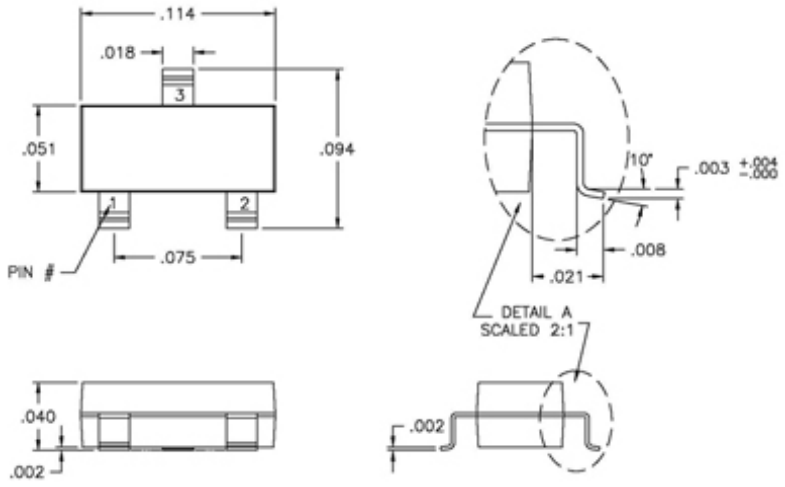


# Noise Diodes SM4 10 kHz to 100 MHz



## Specifications

RF Frequency	10 kHz to 100 MHz
Noise Output	34 dB Min (10 KHz to 1 MHz) ENR 33 dB min (1 MHz to 10 MHz) ENR 31 db min (10 MHz to 100 MHz) ENR
Noise Spectral Density ( $N_o$ )	-140 dBm/Hz Min (10 kHz-1 MHz)
Bias Voltage	5.8 nominal V
Supply Current	4 mA Max
Impedance	50 ohms

## Package and Connectivity

Construction	SMT SOT23
--------------	-----------

## Environmental

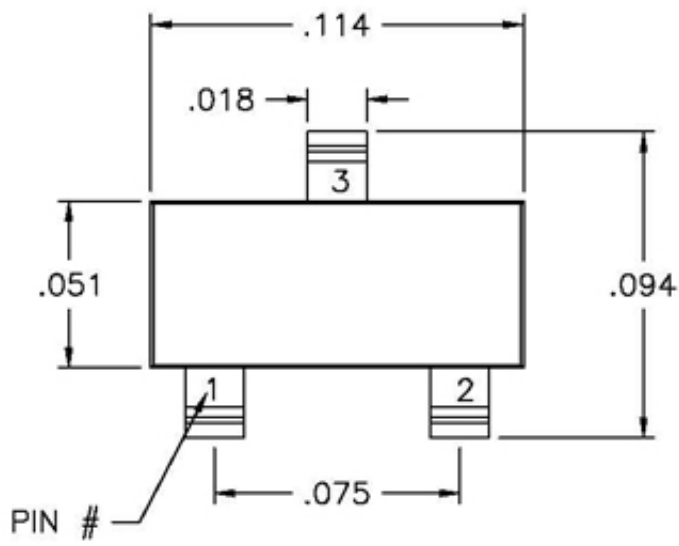
Operating Temperature	-40 to 85 °C
Storage Temperature	-55 to 125 °C

## Notes

Specifications subject to change without notice

Micronetics, Inc. | Hudson, NH | Tel: 1-603-883-2900 | [www.Micronetics.com](http://www.Micronetics.com)





PIN #

