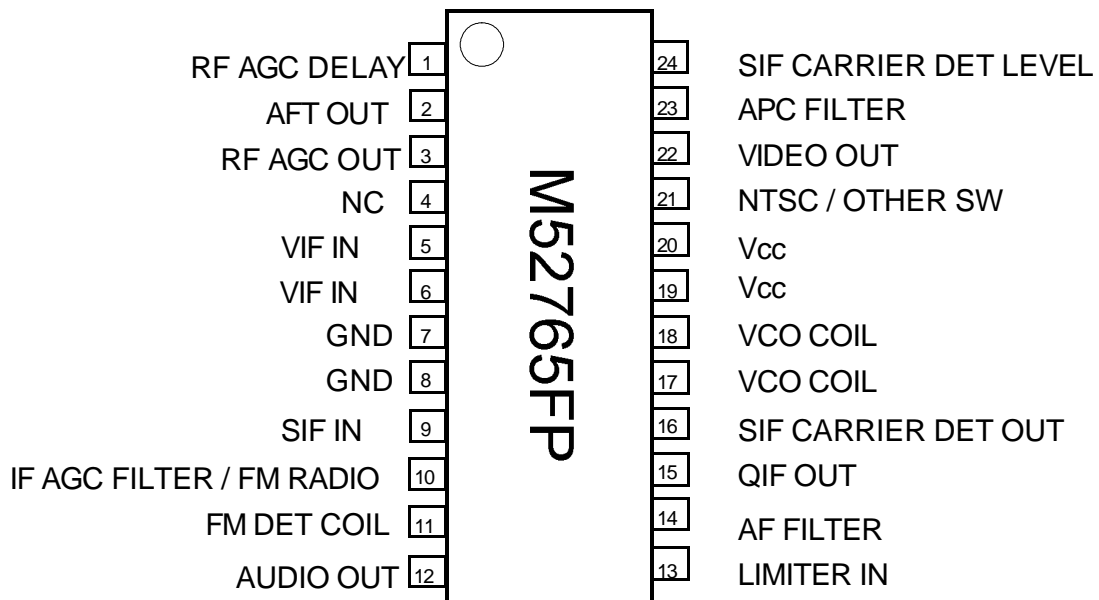


INTEGRATED CIRCUIT

1. Model Number : M52765FP
2. Functions VIF amplification, Picture detection, APC detection, IF / RF AGC, VCO, AFT, Lock detection, Analog SW, SIF amplification, QIF amplification, QIF detection, QIF AGC, SIF limiter, FM detection.
 - 2.1 Function name _____
 - 2.2 Block diagram Figure 1
3. Applications : TV,VTR
4. Package specifications
 - 4.1 Package name 24 - pin plastic mold flat package
 - 4.2 Package diagram number G465098
5. Circuit diagram number _____
6. Pin configuration

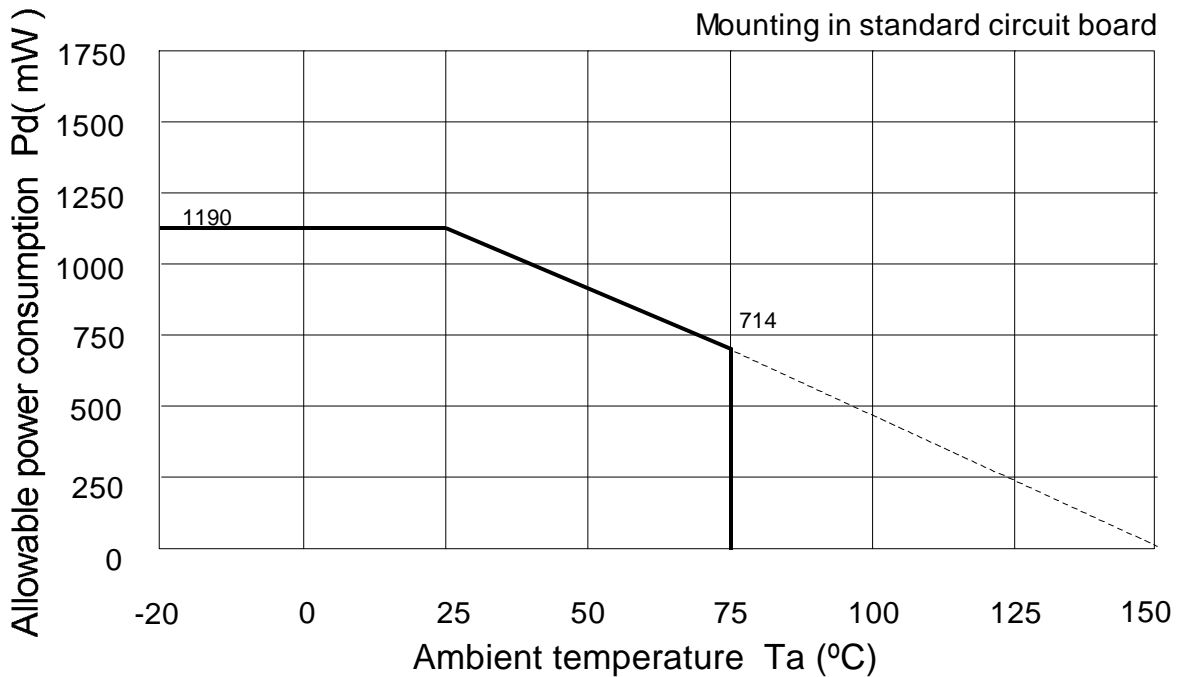


7. Related standards _____

8. Absolute maximum ratings (Ta = 25°C, unless otherwise noted)

Parameter	Symbol	Ratings	Unit	Note
Supply Voltage 1	Vcc	6.0	V	
Power Consumption	Pd	1190	mW	
Operating Temperature	Topr	-20 ~ +75	°C	
Storage Temperature	Tstg	-40 ~ +150	°C	

Temperature Characteristics (maximum ratings)



9. Recommended Operating Condition

Supply Voltage Range (Vcc) ••••• 4.75 to 5.25 V

Rated Supply Voltage (Vcc) ••••• 5.0 V

10. Block diagram and peripheral circuit

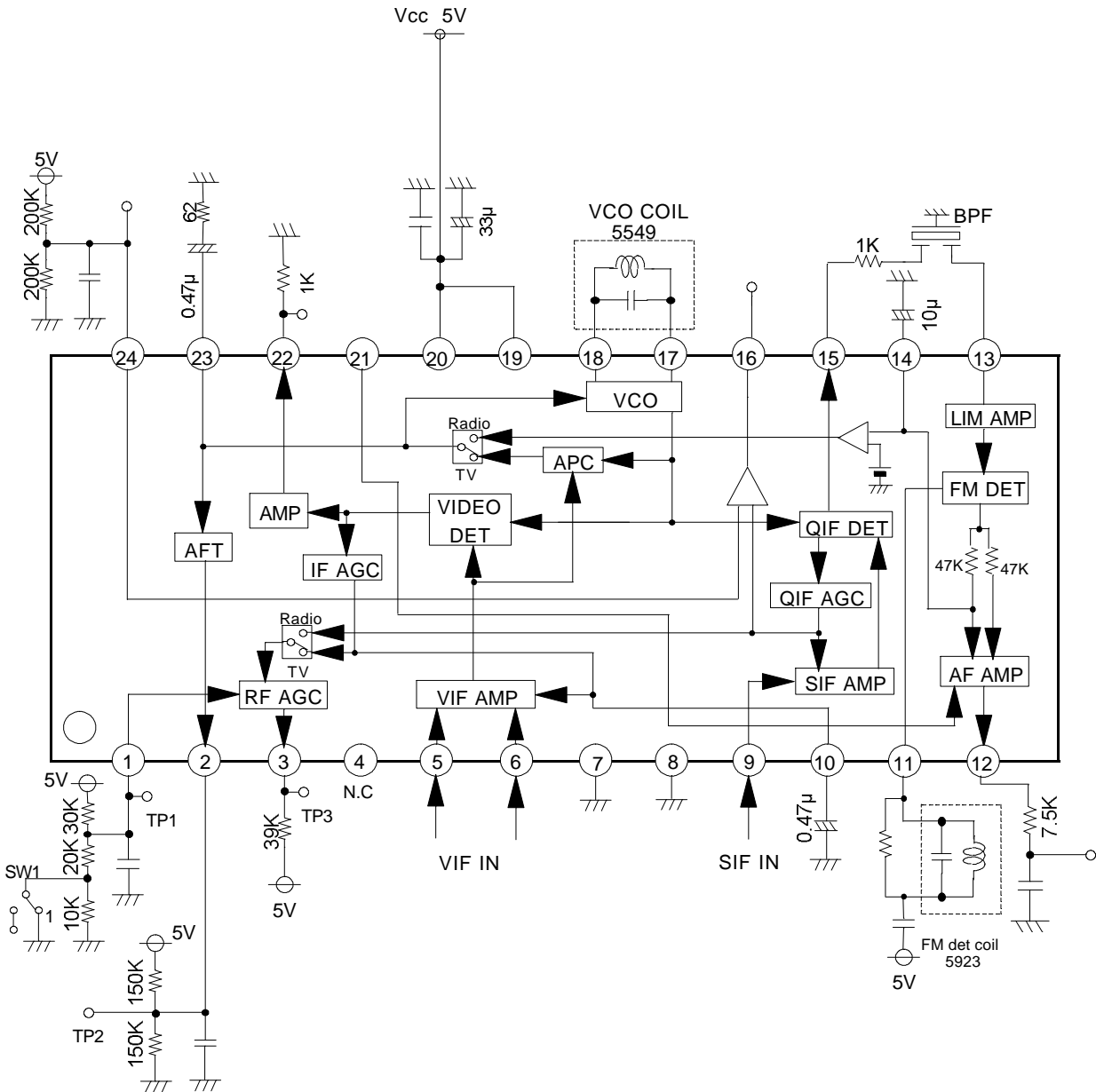


FIG.1

11. Electrical Characteristics (VCC=5V, Ta=25°C unless otherwise noted)

TV Mode

NO	Parameter	Symbol	Test Circuit	Test Point	Input Point	Input SG	Measurement condition			Limits			Unit	Note
							External power		switches set to position 1 unless otherwise noted	MIN	TYP	MAX		
							V10	V14						
1	Circuit Current 1 Vcc=5V	ICC1	1	A	VIF IN	SG1	—	—	VCC=5V SW19=2	30	43	56	mA	
2	Video Output DC Voltage 1	V22	1	TP22A	—	—	0	—	SW10=2	3.2	3.5	3.8	V	
3	Video Output Voltage 1	Vo det	1	TP22A	VIF IN	SG1	—	—		1.8	2.1	2.4	Vp-p	
4	Video S/N	Video S/N	1	TP22B	VIF IN	SG2	—	—	SW22=2	51	56	—	dB	1
5	Video Band Width	BW	1	TP22A	VIF IN	SG3	Vari- able	—	SW10=2	6.0	7.0	—	MHz	2
6	Input Sensitivity	VIN MIN	1	TP22A	VIF IN	SG4	—	—		—	48	52	dBμ	3
7	Maximum Allowable Input	VIN MAX	1	TP22A	VIF IN	SG5	—	—		101	105	—	dBμ	4
8	AGC Control Range Input	GR	—	—	—	—	—	—		50	57	—	dB	5
9	IF AGC Voltage	V10	1	TP10	VIF IN	SG6	—	—		2.9	3.2	3.5	V	
10	Maximum IF AGC Voltage	V10H	1	TP10	—	—	—	—		4.0	4.4	—	V	
11	Minimum IF AGC Voltage	V10L	1	TP10	VIF IN	SG7	—	—		2.2	2.4	2.6	V	
12	Maximum RF AGC Voltage	V3H	1	TP3	VIF IN	SG6	—	—		4.2	4.7	—	V	
13	Minimum RF AGC Voltage	V3L	1	TP3	VIF IN	SG7	—	—		—	0.1	0.5	V	
14	RF AGC Delay Point	V3	1	TP3	VIF IN	SG8	—	—	SW1=1	89	92	95	dBμ	6
15	Capture Range U	CL-U	1	TP22A	VIF IN	SG9	—	—		1.0	1.7	—	MHz	7
16	Capture Range L	CL-L	1	TP22A	VIF IN	SG9	—	—		1.8	2.4	—	MHz	8
17	Capture Range T	CL-T	—	—	—	—	—	—		3.1	4.1	—	MHz	9
18	AFT Sensitivity	μ	1	TP2	VIF IN	SG10	—	—		23	35	70	$\frac{mV}{kHz}$	10
19	AFT Maximum Voltage	V2H	1	TP2	VIF IN	SG10	—	—		3.85	4.15	—	V	10
20	AFT Minimum Voltage	V2L	1	TP2	VIF IN	SG10	—	—		—	0.7	1.2	V	10

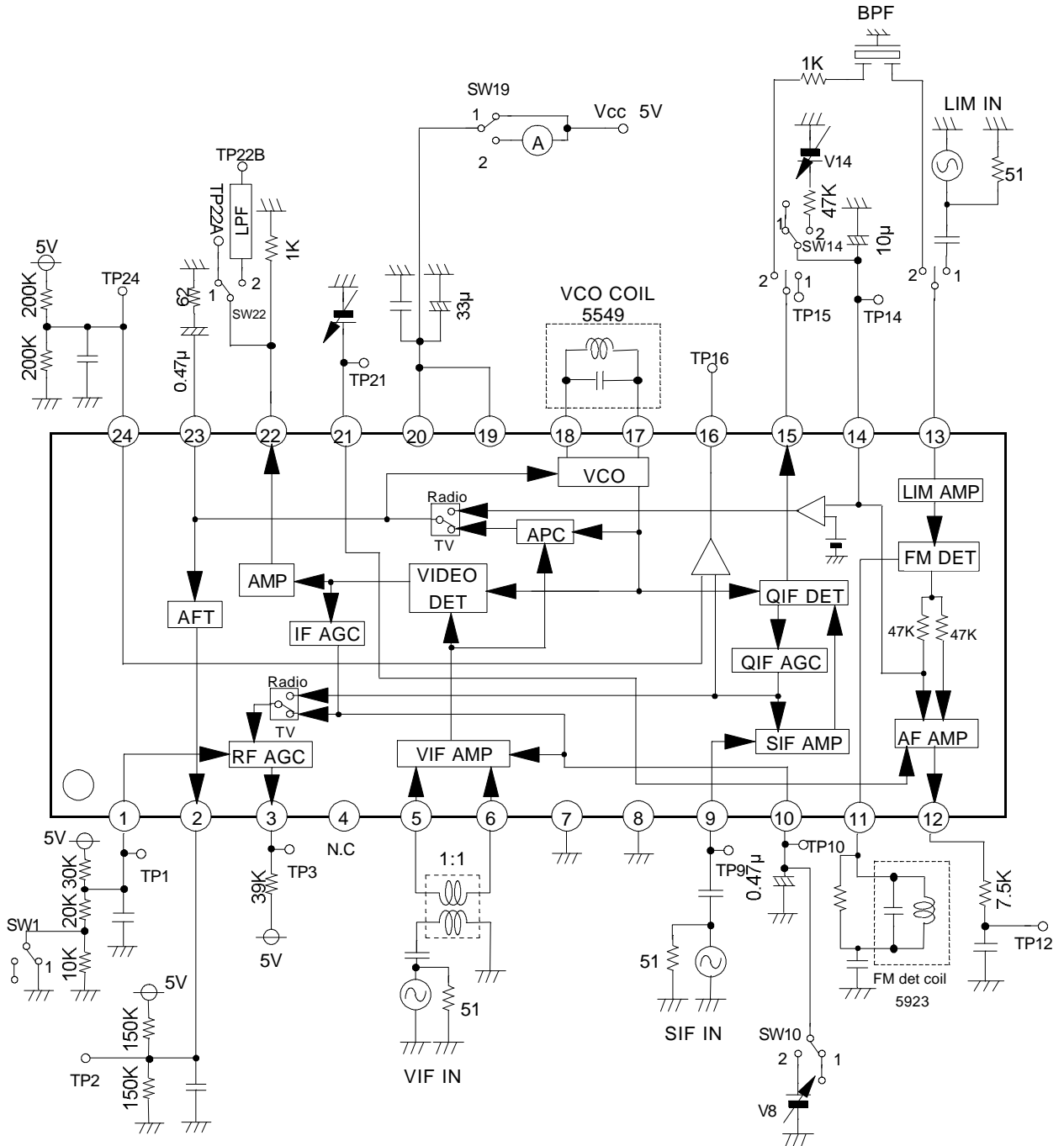
NO	Parameter	Symbol	Test Circuit	Test Point	Input Point	Input SG	Measurement condition			Limits			Unit	Note
							External power		switches set to position 1 unless otherwise noted	MIN	TYP	MAX		
							V10	V14						
21	Inter Modulation	IM	1	TP22A	VIF IN	SG11	Variable	—	SW10=2	35	40	—	dB	11
22	Differential Gain	DG	1	TP22A	VIF IN	SG12	—	—		—	2	5	%	
23	Differential Phase	DP	1	TP22A	VIF IN	SG12	—	—		—	2	5	deg	
24	Sync. tip level	V22 SYNC	1	TP22A	VIF IN	SG2	—	—		0.85	1.15	1.45	v	
25	VIF Input Resistor	RINV	2	TP5	—	—	—	—			1.2		k Ω	
26	VIF Input capacitance	CINV	2	TP5	—	—	—	—			5		pF	

NO	Parameter	Symbol	Test Circuit	Test Point	Input Point	Input SG	Measurement condition			Limits			Unit	Note
							External power		switches set to position 1 unless otherwise noted	MIN	TYP	MAX		
							V10	V14						
27	QIF Output Voltage 1	QIF1	1	TP15	VIF IN SIF IN	SG2 SG13	—	—		90	96	102	dB μ	
28	QIF Output Voltage 2	QIF2	1	TP15	VIF IN SIF IN	SG2 SG14	—	—		90	96	102	dB μ	
29	AF Output (4.5MHz)	VoAF1	1	TP12	LIM IN	SG15	—	—		300	430	615	mVrms	
30	AF Output Distortion (4.5MHz)	THD AF1	1	TP12	LIM IN	SG15	—	—		—	0.2	1.0	%	
31	Limiting Sensitivity (4.5MHz)	LIM1	1	TP12	LIM IN	SG16	—	—		—	55	60	dB μ	12
32	AM Rejection (4.5MHz)	AMR1	1	TP12	LIM IN	SG17	—	—		40	46	—	dB	13
33	AF S/N (4.5MHz)	AF S/N1	1	TP12	LIM IN	SG19	—	—		46	53	—	dB	14
34	SIF Input Resistor	RINS	2	TP9	—	—	—	—		—	1.5	—	k Ω	
35	SIF Input capacitance	CINS	2	TP9	—	—	—	—		—	4	—	pF	

FM Radio Mode

NO	Parameter	Symbol	Test Circuit	Test Point	Input Point	Input SG	Measurement condition			Limits			Unit	Note
							External power		switches set to position 1 unless otherwise noted	MIN	TYP	MAX		
							V10	V14						
32	SIF detection out High Voltage	V16H	1	TP16	—	—	0	—	SW10=2	4.0	4.8	—	V	
33	SIF detection out Low Voltage	V16L	1	TP16	SIF IN	SG20	0	—	SW10=2	—	0.2	1.0	V	
34	SIF detection Threshold Point	TSIF	1	TP16	SIF IN	SG21	0	—	SW10=2	85	90	95	dB μ	15
35	RF AGC Delay Point	V3F	1	TP3	SIF IN	SG21	0	—	SW1=2 SW10=2	85	90	95	dB μ	16
36	AF Output	VoF	1	TP12	LIM IN	SG22	0	—	SW10=2	400	560	800	mVrms	
37	AF Output Distortion	THD F	1	TP12	LIM IN	SG22	0	—	SW10=2	—	0.2	1.0	%	
38	AF S/N	S/N F	1	TP12	LIM IN	SG19	0	—	SW10=2	55	62	—	dB	17

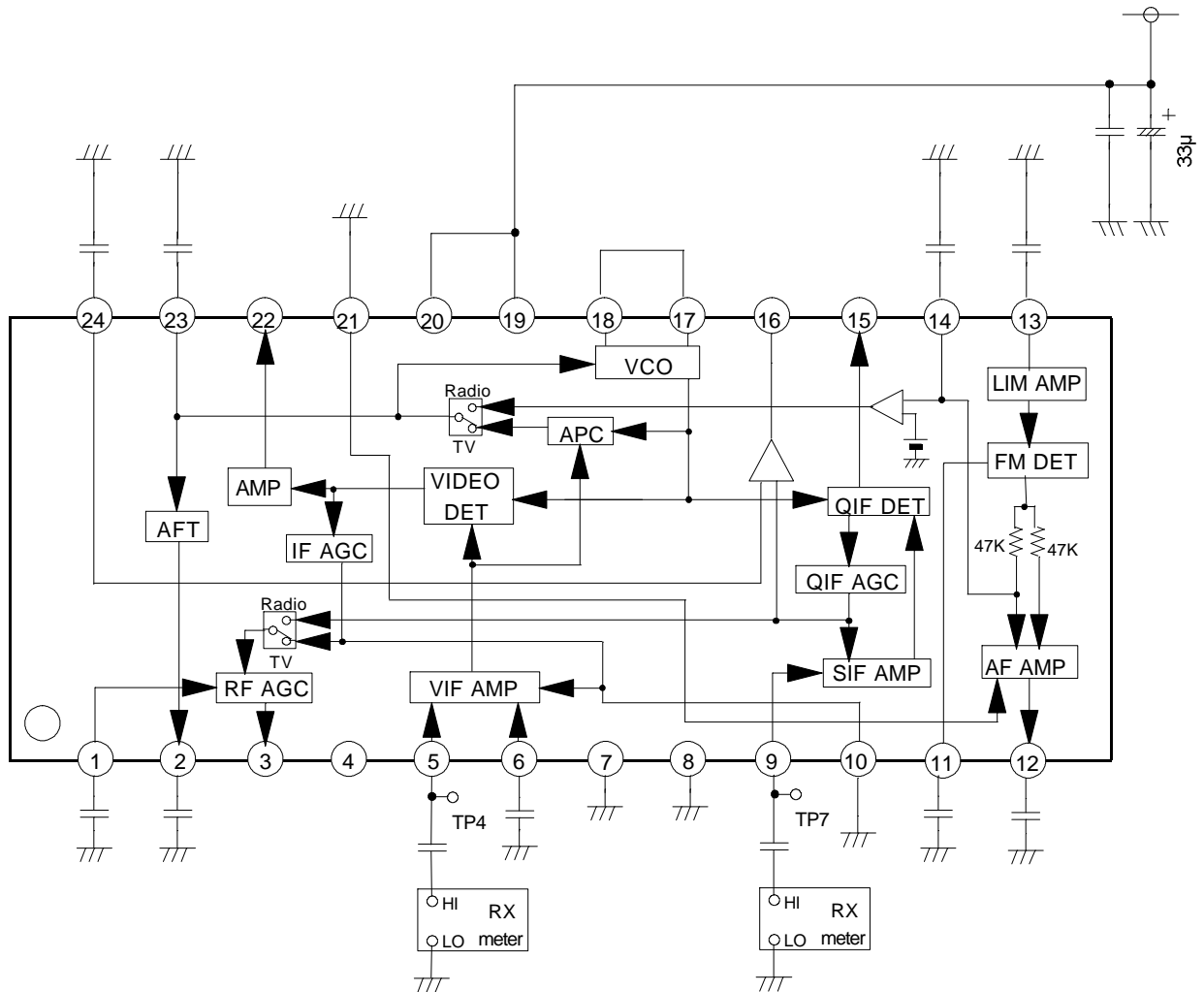
Measuring Circuit Diagram 1



- ◆ All capacitor is 0.01 μ F, unless otherwise noted.
- ◆ The Measuring Circuit 1 is Mitsubishi standard evaluation fixture.

Fig.2

Measuring Circuit Diagram 2



◆ All capacitor is 0.01µF, unless otherwise noted.

INPUT SIGNAL

SG	50 Ω Termination
1	f ₀ =58.75MHz AM 20 KHz 77.8 % 90 dBμ
2	f ₀ =58.75MHz 90 dBμ Cw
3	f ₁ =58.75MHz 90 dBμ Cw f ₂ =Frequency Variable 70 dBμ Cw } Mixed Signal
4	f ₀ =58.75MHz AM 20 KHz 77.8% Level Variable
5	f ₀ =58.75MHz AM 20 KHz 14.0% Level Variable
6	f ₀ =58.75 MHz 80 dBμ Cw
7	f ₀ =58.75 MHz 110 dBμ Cw
8	f ₀ =58.75 MHz Cw Level Variable
9	f ₀ =Frequency Variable AM 20 KHz 77.8 % 90 dBμ
10	f ₀ =Frequency Variable 90 dBμ Cw
11	f ₁ =58.75MHz 90 dBμ Cw f ₂ =55.17MHz 80 dBμ Cw f ₃ =54.25MHz 80 dBμ Cw } Mixed Signal
12	f ₀ =58.75MHz 87.5 % TV modulation Ten-step waveform Sync Tip Level 90 dBμ
13	f ₀ =54.25MHz 95 dBμ Cw
14	f ₀ =54.25MHz 75 dBμ Cw
15	f ₀ =4.5 MHz 90 dBμ FM 400 Hz ±25 KHz dev
16	f ₀ =4.5 MHz Level Variable FM 400Hz ±25KHz dev
17	f ₀ =4.5 MHz 100 dBμ AM 400 Hz 30 %
18	f ₀ =4.5 MHz Level Variable Cw
19	f ₀ =4.5 MHz 90 dBμ Cw
20	f ₀ =54.25 MHz 90 dBμ Cw
21	f ₀ =54.25 MHz Level Variable Cw
22	f ₀ =4.5 MHz 90 dBμ FM 400 Hz ±75 KHz dev

Notes

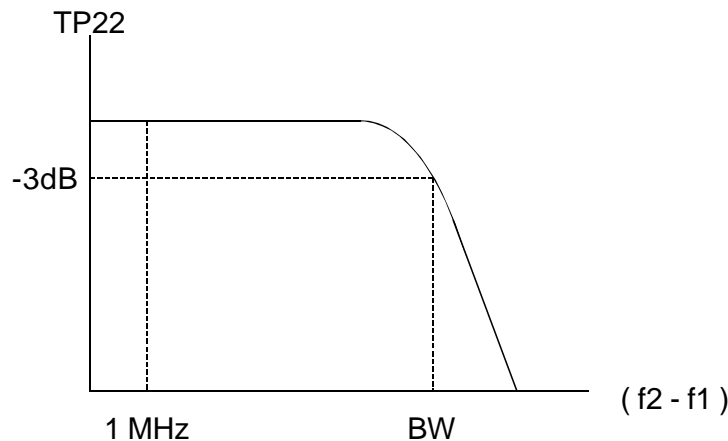
1. Video S/N

Input SG2 into VIF IN and measure the video out(Pin 22) noise in r.m.s at TP22-B through a 5MHz (-3dB) L.P.F.

$$S/N=20 \log \left(\frac{0.7 \times V_0 \text{ det}}{\text{NOISE}} \right) \quad (\text{dB})$$

2. Video Band width: BW

1. Measure the 1MHz component level of Video output TP22A with a spectrum analyzer when SG3($f_2=57.75\text{MHz}$) is input into VIF IN. At that time, measure the voltage at TP10 with SW10, set to position 2, and then fix V10 at that voltage.
2. Reduce f_2 and measure the value of (f_2-f_1) when the (f_2-f_1) component level reaches -3dB from the 1MHz component level as shown below.



3. Input Sensitivity: $V_{IN \text{ MIN}}$

Input SG4 ($V_i=90\text{dB}\mu$) into VIF IN, and then gradually reduce V_i and measure the input level when the 20KHz component of Video output TP22A reaches -3dB from $V_0 \text{ det}$ level.

4. Maximum Allowable Input: $V_{IN \text{ MAX}}$

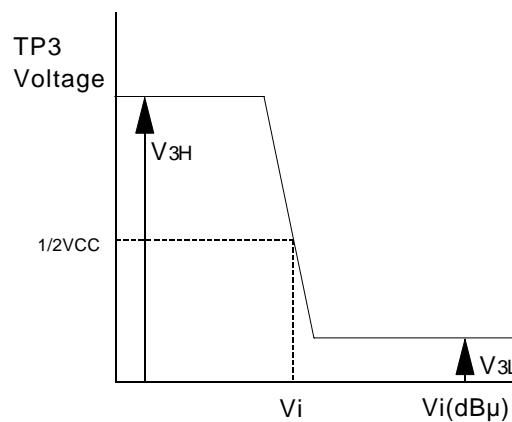
1. Input SG5 ($V_i=90\text{dB}\mu$) into VIF IN, and measure the level of the 20KHz component of Video output.
2. Gradually increase the V_i of SG and measure the input level when the output reaches -3dB.

5. AGC Control Range: GR

$$GR = V_{IN \text{ MAX}} - V_{IN \text{ MIN}} \quad (\text{dB})$$

6. RF AGC Operating Voltage: V_3

Input SG8 into VIF IN and gradually reduce V_i and then measure the input level when RF AGC output TP3 reaches $1/2 V_{CC}$, as shown below.



7. Capture range: CL - U

1. Increase the frequency of SG9 until the VCO is out of locked-oscillation.
2. Decrease the frequency of SG9 and measure the frequency f_U when the VCO locks.

$$CL - U = f_U - 58.75 \quad (\text{MHz})$$

8. Capture range: CL - L

1. Decrease the frequency of SG9 until the VCO is out of locked-oscillation.
2. Increase the frequency of SG9 and measure the frequency f_L when the VCO locks.

$$CL - L = 58.75 - f_L \quad (\text{MHz})$$

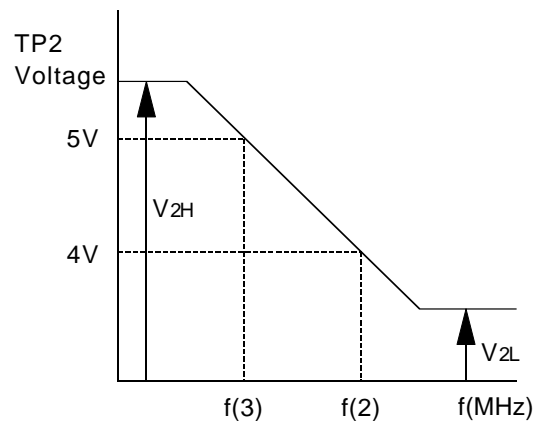
9. Capture range: CL - T

$$CL - T = CL - U + CL - L \quad (\text{MHz})$$

10. AFT sensitivity μ , Maximum AFT voltage V_{2H} , Minimum AFT voltage V_{2L}

1. Input SG10 into VIF IN, and set the frequency of SG10 so that the voltage of AFT output TP2 is 3V . This frequency is named $f(3)$.
2. Set the frequency of SG10 so that the AFT output voltage is 2V. This frequency is named $f(2)$
3. IN the graph, maximum and minimum DC voltage is V_{2H} and V_{2L} , respectively.

$$\mu = \frac{1000 \text{ (mV)}}{f(2) - f(3) \text{ (kHz)}} \quad (\text{mV/kHz})$$

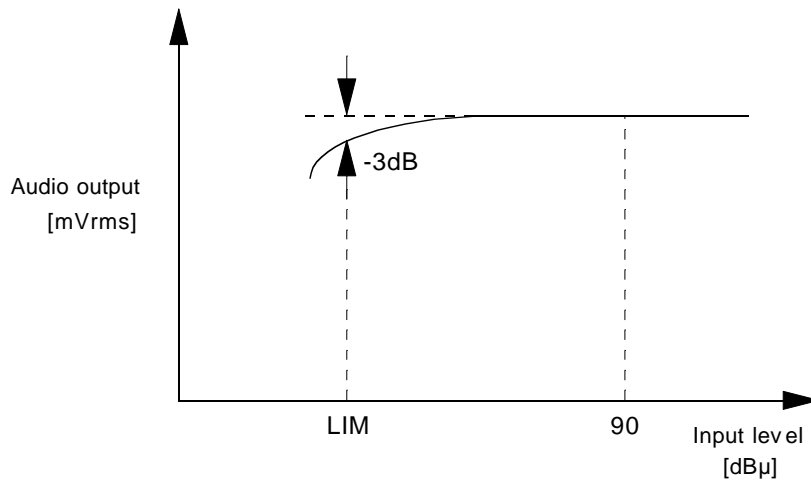


11. Inter modulation: IM

1. Input SG11 into VIF IN, and measure EQ output TP22A with an oscilloscope.
2. Adjust AGC filter voltage V_{10} so that the minimum DC level of the output waveform is 1.0V.
3. At this time, measure TP22A with a spectrum analyzer .
The inter modulation is defined as a difference between 0.92MHz and 3.58 MHz frequency components.

12. Limiting Sensitivity: LIM

1. Input SG16 ($V_i=90\text{dB}\mu$) into SIF IN, and measure the 400Hz component level of AF output TP12.
2. Lower the input level of SG16, and measure the level of SG16 when the V_{oAF} level reaches -3dB.



13. AM Rejection: AMR

1. Input SG17 into SIF IN, and measure the output level of AF OUT (TP12). This level is named VAM.

2. AMR is;

$$\text{AMR} = 20\log \left(\frac{V_{oAF} (\text{mVr.m.s})}{V_{AM} (\text{mVr.m.s})} \right) \quad (\text{dB})$$

14. AF S/N: AF S/N

1. Input SG19 into SIF IN, and measure the output noise level of AF OUT (TP12). This level is named VN.

2. S/N is;

$$\text{S/N} = 20\log \left(\frac{V_{oAF} (\text{mVr.m.s})}{V_N (\text{mVr.m.s})} \right) \quad (\text{dB})$$

15. SIF detection threshold level TSIF

SG21 is applied to SIF IN and the input amplitude is swept.
Then, the level of SG21, TSIF, is measured at the time when the DC voltage of SIF CARRIER DET OUT (TP16) has just begun to vary.

16. RF AGC voltage V3F

SG21 is applied to SIF IN and the input amplitude is swept.
Then, the level of SG21, V3F, is measured at the time when the DC voltage of RF AGC OUT (TP3) has just reached 1/2Vcc.

17. AF S/N (S/N F)

1. SG19 is applied to SIF IN and the output noise of AUDIO OUT (TP12) is measured. The measured noise is named VNF.

2. S/N F is,
$$S/N F = 20 \log \left(\frac{VoF [mVr.m.s]}{VNF [mVr.m.s]} \right) \quad [dB]$$

VCO coil adjustment methods

1. Input SG2 (fo=58.75MHz, 90dBμ CW) into VIF IN.
2. And adjust the coil until the voltage of AFT output reaches about $V_{cc}/2=2.5V$.

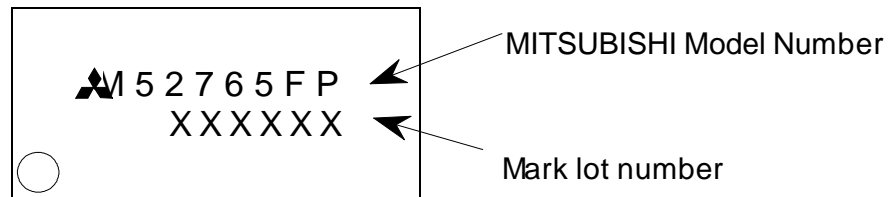
FM DET coil adjustment methods

1. The first thing, adjust the VCO coil.
2. Input SG13 (fo=54.25MHz, 95dBμ CW) into SIF IN.
3. Change the switch of SW13 and SW15 to 2 position.
4. Change to FM RADIO mode (V10=0V).
5. Adjust the DC voltage of AFT OUT to $V_{cc}/2$ and SIF det OUT to Low (under 1V).

Material

- Frame : Copper alloy
- Lead plating : Solder plating
- Plastic molded

Indications



Lot number constitution

