

**CMPT404A**  
**SURFACE MOUNT**  
**PNP SILICON**  
**CHOPPER TRANSISTOR**



[www.centralemi.com](http://www.centralemi.com)

**DESCRIPTION:**

The CENTRAL SEMICONDUCTOR CMPT404A type is an PNP silicon transistor manufactured by the epitaxial planar process, epoxy molded in a surface mount package, designed for chopper applications.

**MARKING CODE: C2N**



**SOT-23 CASE**

**MAXIMUM RATINGS:** ( $T_A=25^\circ\text{C}$ )

Collector-Base Voltage
Collector-Emitter Voltage
Emitter-Base Voltage
Continuous Collector Current
Power Dissipation
Operating and Storage Junction Temperature
Thermal Resistance

SYMBOL		UNITS
$V_{CBO}$	40	V
$V_{CEO}$	35	V
$V_{EBO}$	25	V
$I_C$	150	mA
$P_D$	350	mW
$T_J, T_{stg}$	-65 to +150	$^\circ\text{C}$
$\theta_{JA}$	357	$^\circ\text{C/W}$

**ELECTRICAL CHARACTERISTICS:** ( $T_A=25^\circ\text{C}$  unless otherwise noted)

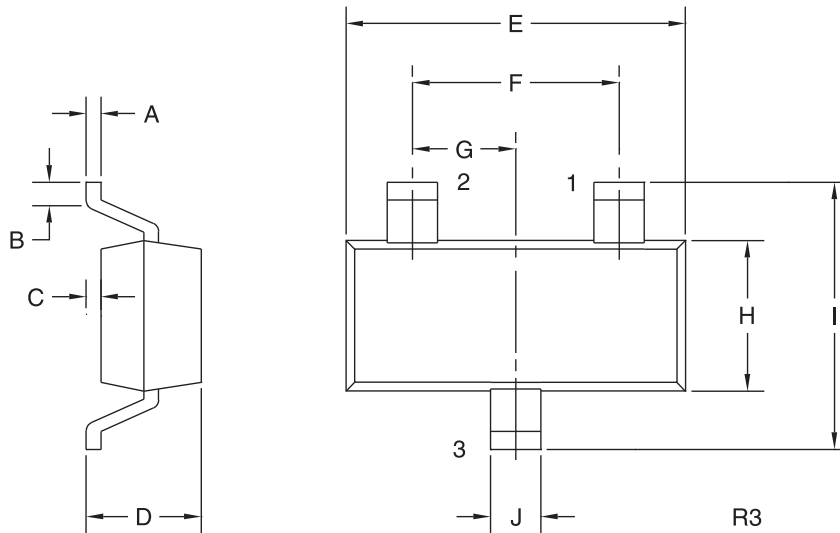
SYMBOL	TEST CONDITIONS	MIN	TYP	MAX	UNITS
$I_{CBO}$	$V_{CB}=10\text{V}$			100	nA
$I_{EBO}$	$V_{EB}=10\text{V}$			100	nA
$BV_{CBO}$	$I_C=10\mu\text{A}$	40			V
$BV_{CEO}$	$I_C=10\text{mA}$	35			V
$BV_{EBO}$	$I_E=10\mu\text{A}$	25			V
$V_{CE(SAT)}$	$I_C=12\text{mA}, I_B=400\mu\text{A}$			0.15	V
$V_{CE(SAT)}$	$I_C=24\text{mA}, I_B=1.0\text{mA}$			0.20	V
$V_{BE(SAT)}$	$I_C=12\text{mA}, I_B=400\mu\text{A}$			0.85	V
$V_{BE(SAT)}$	$I_C=24\text{mA}, I_B=1.0\text{mA}$			1.00	V
$h_{FE}$	$V_{CE}=0.15\text{V}, I_C=12\text{mA}$	100		400	
$C_{ob}$	$V_{CB}=6.0\text{V}, I_E=0, f=1.0\text{MHz}$		40		pF
$t_d$	$V_{CC}=10\text{V}, I_C=10\text{mA}, I_{B1}=1.0\text{mA}$		150		ns
$t_r$	$V_{CC}=10\text{V}, I_C=10\text{mA}, I_{B1}=1.0\text{mA}$		400		ns
$t_s$	$V_{CC}=10\text{V}, I_C=10\text{mA}, I_{B1}=I_{B2}=1.0\text{mA}$		3.0		$\mu\text{s}$
$t_f$	$V_{CC}=10\text{V}, I_C=10\text{mA}, I_{B1}=I_{B2}=1.0\text{mA}$		750		ns

R3 (27-January 2010)

CMPT404A  
 SURFACE MOUNT  
 PNP SILICON  
 CHOPPER TRANSISTOR



SOT-23 CASE - MECHANICAL OUTLINE



LEAD CODE:

- 1) Base
- 2) Emitter
- 3) Collector

MARKING CODE: C2N

DIMENSIONS				
SYMBOL	INCHES		MILLIMETERS	
	MIN	MAX	MIN	MAX
A	0.003	0.007	0.08	0.18
B	0.006	-	0.15	-
C	-	0.005	-	0.13
D	0.035	0.043	0.89	1.09
E	0.110	0.120	2.80	3.05
F	0.075		1.90	
G	0.037		0.95	
H	0.047	0.055	1.19	1.40
I	0.083	0.098	2.10	2.49
J	0.014	0.020	0.35	0.50

SOT-23 (REV: R3)

R3 (27-January 2010)