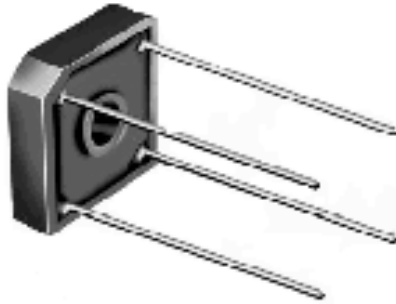


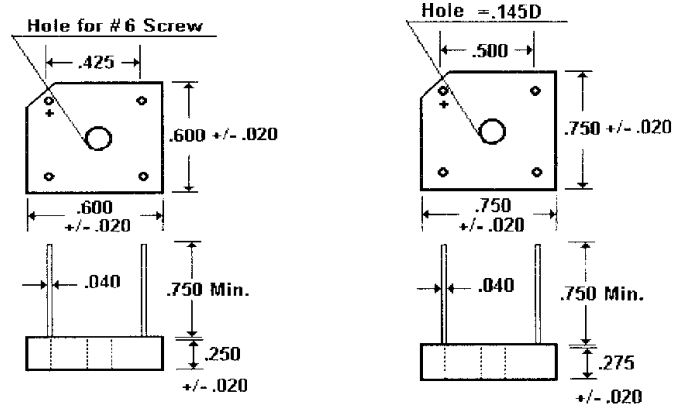
# 10 to 15 Amp SINGLE PHASE SILICON BRIDGE

**KBPSC-10 & 15 Series**

## Description



## Mechanical Dimensions



## Features

- BUILT-IN INTEGRAL HEAT SINK
- UL RECOGNITION AVAILABLE
- SMALL PACKAGE
- UP TO 300 AMP SURGE OVERLOAD RATING
- LOW LEAKAGE CURRENT, LESS THAN 1μA

Electrical Characteristics @ 25°C.	KBPSC10 ... 15 Series							Units
Maximum Ratings	-00	-01	-02	-04	-06	-08	-10	
Peak Repetitive Reverse Voltage... $V_{RRM}$	50	100	200	400	600	800	1000	Volts
RMS Reverse Voltage... $V_{R(rms)}$	35	70	140	280	420	560	700	Volts
DC Blocking Voltage... $V_{DC}$	50	100	200	400	600	800	1000	Volts
Average Forward Rectified Current... $I_{F(av)}$	KBPSC10 .....			10	KBPSC15 .....			Amps
	KBPSC15 .....			15	KBPSC15 .....			Amps
Non-Repetitive Peak Forward Surge Current... $I_{FSM}$	KBPSC10 .....			200	KBPSC15 .....			Amps
	KBPSC15 .....			300	KBPSC15 .....			Amps
Forward Voltage... $V_F$	KBPSC10 .....			1.1	KBPSC15 .....			Volts
	KBPSC15 .....			1.1	KBPSC15 .....			Volts
Isolation Voltage Case to Leads... $V_{ISO}$	.....			2000	.....			Volts AC
DC Reverse Current... $I_R$ @ Rated DC/Element	.....			10	.....			μAmps
Thermal Resistance... $R_{\theta JC}$ (Note 1)	.....			1.2	.....			°C / W
Operating & Storage Temperature Range... $T_J, T_{STRG}$	.....			-65 to 175	.....			°C