



KBPC300 THRU KBPC310

SINGLE PHASE 3.0 AMPS . SILICON BRIDGE RECTIFIERS

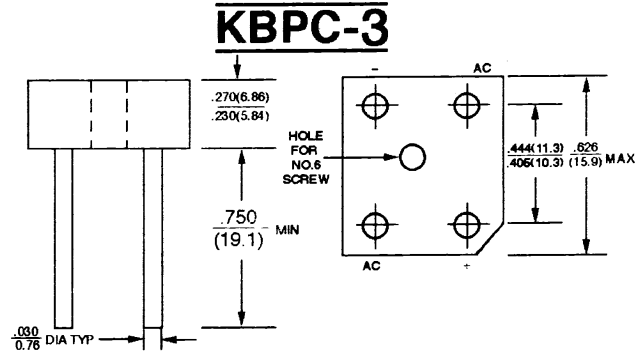


FEATURES

- * Low forward voltage drop
- * High Surge Current Capability
- * Small size, simple installation
- * Leads solderable per MIL-STD-202, method 208

VOLTAGE RANGE

50 to 1000 Volts
CURRENT
3.0 Amperes



Dimensions in inches and (millimeters)

MAXIMUM RATINGS AND ELECTRICAL CHARACTERISTICS

Rating at 25°C ambient temperature unless otherwise specified.
Single phase, half wave, 60 Hz, resistive or inductive load.
For capacitive load, derate current by 20%

TYPE NUMBER	SYMBOLS	KBPC 300	KBPC 301	KBPC 302	KBPC 304	KBPC 306	KBPC 308	KBPC 310	UNITS
Maximum Recurrent Peak Reverse Voltage	V_{RRM}	50	100	200	400	600	800	1000	V
Maximum RMS Bridge Input Voltage	V_{RMS}	35	70	140	280	420	560	700	V
Maximum D. C Blocking Voltage	V_{DC}	50	100	200	400	600	800	1000	V
Maximum Average Forward Rectified Current @ $T_C = 60^\circ C$	$I_{F(AV)}$	3.0							A
Peak Forward Surge Current, 8.3 ms single half sine-wave superimposed on rated load(JEDEC method)	I_{FSM}	60							A
Maximum Forward Voltage Drop per element @ 1.5A	V_F	1.10							V
Maximum Reverse Current at Rated @ $T_A = 25^\circ C$ D. C. Blocking Voltage per element @ $T_A = 100^\circ C$	I_R	10 500							μA μA
Operating Temperature Range	T_J	- 55 to + 125							$^\circ C$
Storage Temperature Range	T_{STG}	- 55 to + 150							$^\circ C$

RATINGS AND CHARACTERISTIC CURVES (KBPC300 THRU KBPC310)

FIG. 1-MAXIMUM NON-REPETITIVE FORWARD SURGE CURRENT - PER ELEMENT

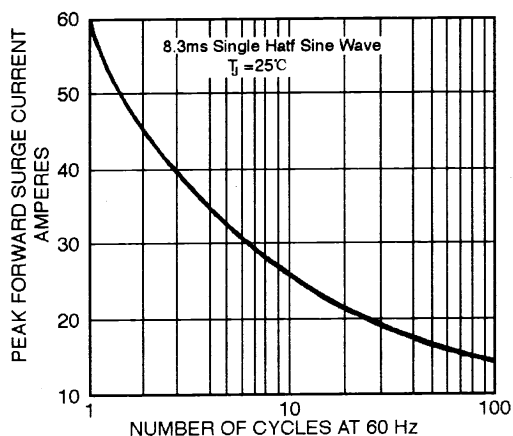


FIG. 2-TYPICAL FORWARD OUTPUT CURRENT DERATING CURVE

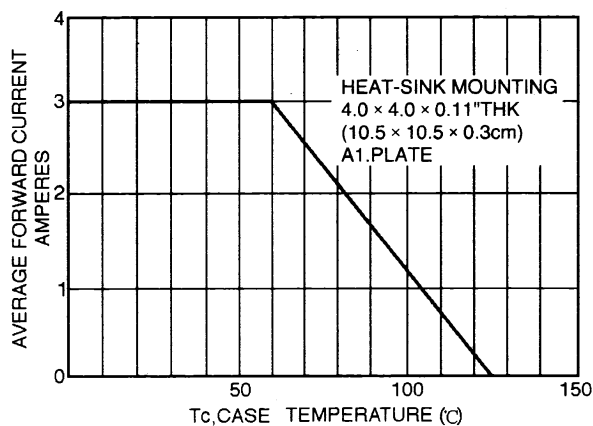


FIG. 3-TYPICAL FORWARD CHARACTERISTICS - PER ELEMENT

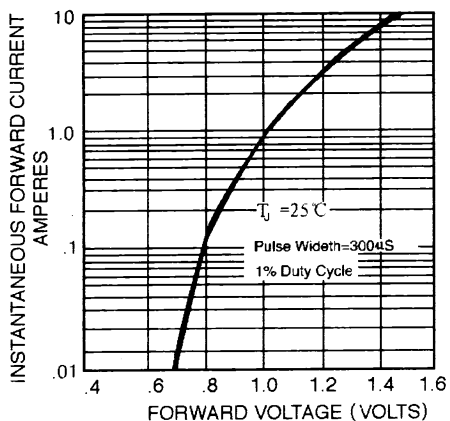


FIG. 4-TYPICAL REVERSE CHARACTERISTICS PER ELEMENT

