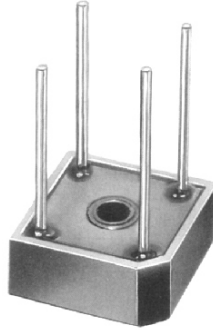


# MP15M SERIES

## SINGLE-PHASE 15 AMPS. SILICON BRIDGE RECTIFIERS



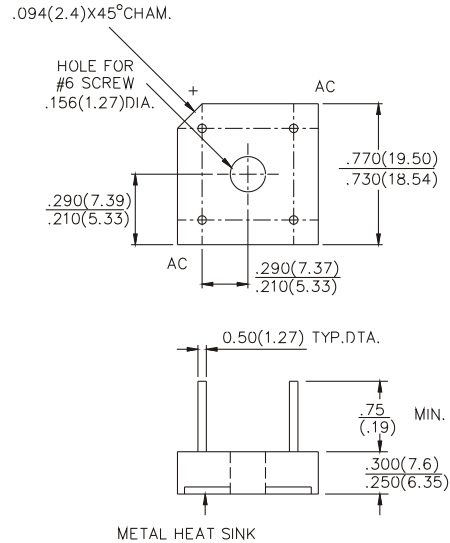
**CHENG-YI  
ELECTRONIC**



### FEATURES

- 300 Amps Surge capability
- CASE: Molded Plastic with Heatsink Internally Mounted in the Bridge Encapsulation
- Electrically isolated metal case for maximum heat dissipation
- Mounting: thru hole for #6 screw

VOLTAGE RANGE  
50 TO 1000 VOLTS PRV  
CURRENT  
15 Amperes



Dimensions in inches and (millimeters)

### MAXIMUM RATINGS AND ELECTRICAL CHARACTERISTICS

Ratings at 25°C ambient temperature unless otherwise specified.  
Single phase, half wave, 60Hz, resistive or inductive load.  
For capacitive load, derate current by 20%.

		MP15005M	MP15010M	MP15020M	MP15040M	MP15060M	MP15080M	MP15100M	UNITS
Maximum Recurrent Peak Reverse Voltage	$V_{RRM}$	50	100	200	400	600	800	1000	V
Maximum RMS Bridge Input Voltage	$V_{RMS}$	35	70	140	280	420	560	700	V
Maximum DC Blocking Voltage	$V_{DC}$	50	100	200	400	600	800	1000	V
Maximum Average Forward Output Current @ $T_A=55^\circ\text{C}$	$I_{(AV)}$	15							A
Peak Forward Surge Current 8.3 ms single half sine-wave superimposed on rated load(JEDEC Method)	$I_{FSM}$	200							A
Maximum Forward Voltage per Bridge Element MP15 at IF 7.5A	$V_F$	1.1							V
Maximum DC Reverse Current at rated DC Blocking Voltage Per Bridge Element @ $T_A=25^\circ\text{C}$	$I_R$	10							$\mu\text{A}$
Operating Temperature Range	$T_J$	-55 to +125							$^\circ\text{C}$
Storage Temperature Range	$T_{STG}$	-55 to +125							$^\circ\text{C}$

\*(Plastic case & Metal base)

# MP15M SERIES

SINGLE-PHASE 15 AMPS. SILICON  
BRIDGE RECTIFIERS



CHENG-YI  
ELECTRONIC

## RATING AND CHARACTERISTICS CURVES MP15M SERIES

Fig.1 - MAXIMUM FORWARD SURGE CURRENT

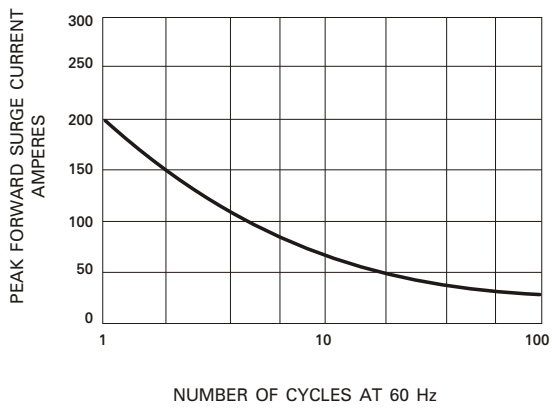


Fig.2 - DERATING CURVE FOR  
OUTPUT RECTIFIED CURRENT

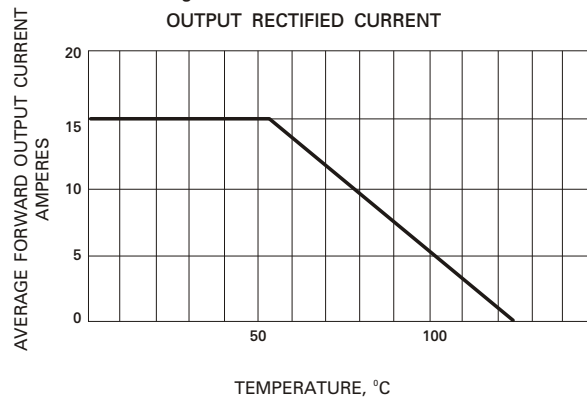


Fig.3 - TYPICAL FORWARD  
CHARACTERISTICS

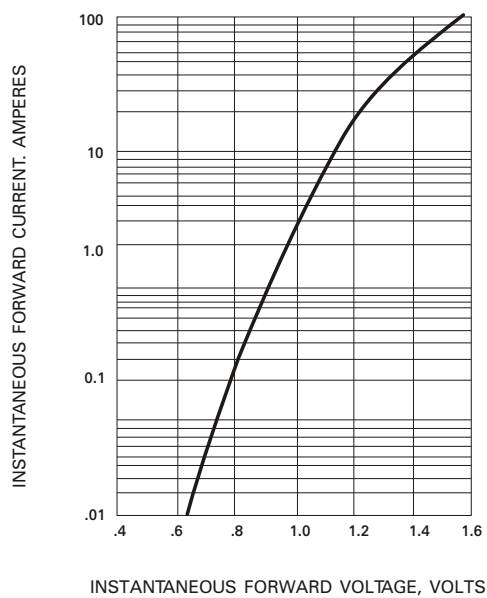


Fig.4 - TYPICAL REVERSE  
CHARACTERISTICS

