

FEATURES

- HIGH RELIABILITY FOR LOW COST
- WIDE FREQUENCY RANGE
- SMD PACKAGES WITH SMALL DIMENSIONS AND LOW PROFILE
- EXCELLENT ATTENUATION BEHAVIOUR

ONE - PORT & TWO - PORT SAW RESONATORS

TYPE	Δf_0^* (MHz)	Δf_0 (kHz)	Insertion Loss (dB)	PACKAGE	Freq.-Temp.-Coeff.
SR433	433.02	+75 / +-100	<2.5 for One-Port <7.5 for Two-Port	T0-39 / F-11 / 5x5 SMD	0.032 ppm/°C ²
SR418	418.00	+75 / +-100	<2.5 for One-Port <7.5 for Two-Port	T0-39 / F-11 / 5x5 SMD	0.032 ppm/°C ²
SR318	318.00	+75 / +-100	<2.5 for One-Port <7.5 for Two-Port	T0-39 / F-11 / 5x5 SMD	0.032 ppm/°C ²
SR315	315.00	+75 / +-100	<2.5 for One-Port <7.5 for Two-Port	T0-39 / F-11 / 5x5 SMD	0.032 ppm/°C ²

* The nominal center frequency (f_0) range is from 200 MHz to 1 GHz

Other parameters and packages are available on request

SAW-FILTER FOR REMOTE CONTROL

TYPE	Center Frequency (MHz)	Band Width		Insertion Loss (dB)	Package
		dB	MHz		
SF314	314.0	3	$f_0 \pm 0.35$	2.5	T0-39 / F-11
SF315	315.0	3	$f_0 \pm 0.35$	2.5	T0-39 / F-11
SF418	418.0	3	$f_0 \pm 0.35$	2.5	T0-39 / F-11
SF433	433.92	3	$f_0 \pm 0.35$	2.5	T0-39 / F-11

Other parameters and packages are available on request

SAW-FILTER FOR COMMUNICATION

TYPE	Center Frequency (MHz)	Band Width		Insertion Loss (dB)	Package
		dB	MHz		
D150RFQ	138 ~ 174	3	$f_0 \pm 0.05$	<5	F-11
D280RFQ	278 ~ 284	3	$f_0 \pm 0.05$	<5	F-11
D150TFN	138 ~ 174	3	$f_0 \pm 4.0$	<6.5	F-11
D280TFN	178 ~ 284	3	$f_0 \pm 3.3$	<4.5	F-11
D450TFN	400 ~ 500	3	$f_0 \pm 4.0$	<4.5	F-11

Other parameters and packages are available on request

Other Typical D1106(110.592MHz), D304TFN(304 MHz), D325TFN(325 MHz), D388(388MHz), D930(930.5MHz)
Types D450 (402/406/410/414/418/422/426/430/430/434/438/442/446/450/454/458/462/466/470/474/478/482/486/
490/492/494/498/502/506/510/514/518 MHz)

SAW-FILTER FOR CORDLESS PHONE & COMMUNICATION

TYPE	Center Frequency (MHz)	Band Width		Insertion Loss (dB)	Package
		dB	MHz		
D45	45.36	3	f0 +1	<5	SF-712
D48	48.36	3	f0 +1	<5	SF-712
D45/48	45.36/48.36	3	f0 +1	<5	SF-915
D903	903.75	3	f0 +2	<5	F-11
D927	927.75	3	f0 +2	<5	F-11
D886	886.0	3	f0 +2	<4	F-11
D931	931.0	3	f0 +2	<4	F-11
D914	914.0	3	f0 +2	<4	F-11
D959	959.0	3	f0 +2	<4	F-11

Other parameters and packages are available on request

SAW-FILTER FOR SATELLITE-RECEIVER

TYPE	Center Frequency (MHz)	Band Width		Insertion Loss (dB)	Package
		dB	MHz		
D479.5B	479.5	3	f0 +13.5	<21	TO-39

Other parameters and packages are available on request

SAW-FILTER FOR CELLULAR PHONE / RF-STAGE SERIES

TYPE	Center Frequency (MHz)	Pass-Band Width	Insertion Loss max.	WSWR max.	Package Application
D902	902.5	25 MHz	3.5 dB	2.5	3 x 3 mm SMD FOR GSM
D947	947.5	25 MHz	3.5 dB	2.5	3 x 3 mm SMD FOR GSM
D942	942.5	35 MHz	3.5 dB	2.5	3 x 3 mm SMD FOR PDC/EGSM
D836	836.5	25 MHz	3.5 dB	2.5	3 x 3 mm SMD FOR CDMA/AMPS

Other parameters and packages are available on request

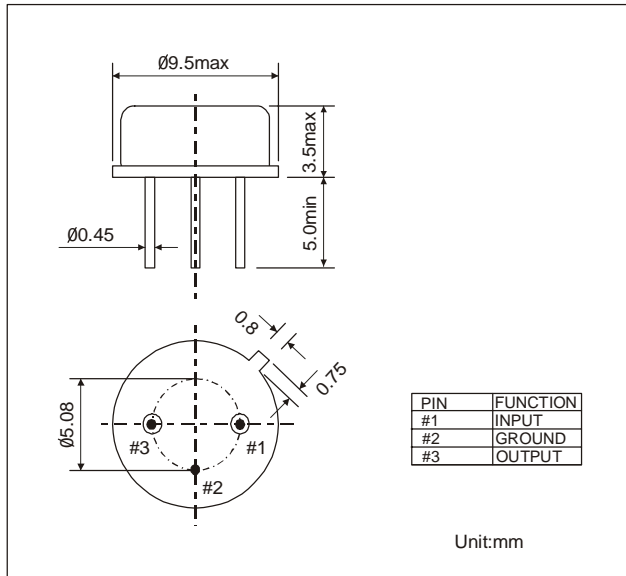
SAW-FILTER FOR CELLULAR PHONE / IF-STAGE SERIES

TYPE	Center Frequency (MHz)	Pass-Band Width	Insertion Loss max.	WSWR max.	Package Application
D881	881.5	25 MHz	3.5 dB	2.5	3 x 3 mm SMD FOR CDMA/AMPS
D246	246.0	+80 MHz	8 dB	2.0 μ s	5 x 5 mm SMD FOR GSM
D400	400.0	+83 MHz	6 dB	1.0 μ s	5 x 5 mm SMD FOR GSM
D85	85.38	+300 MHz	15 dB	3.0 μ s	7 x 5 mm SMD FOR CDMA

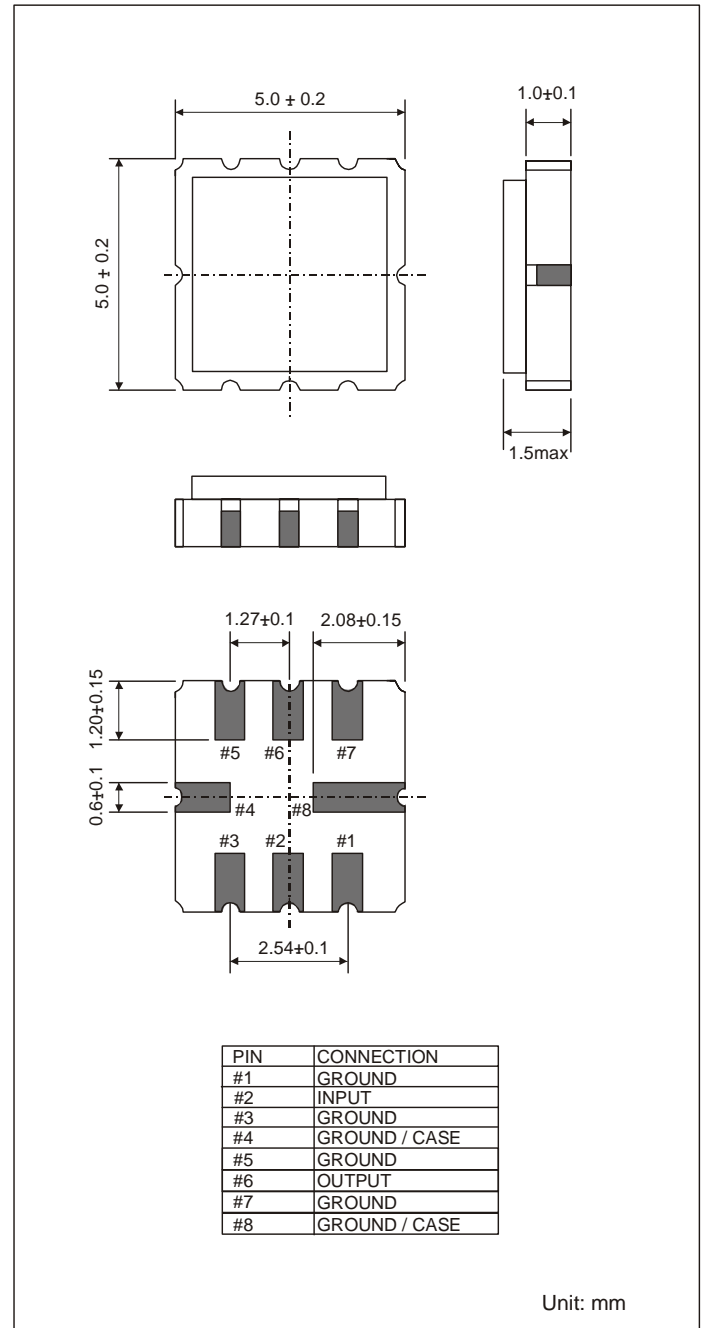
Other parameters and packages are available on request

PACKAGE DRAWINGS

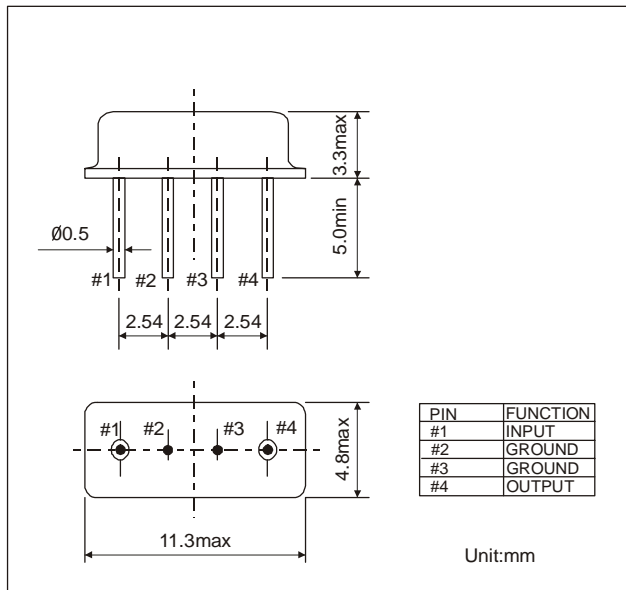
TO-39



5 x 5 mm SMD

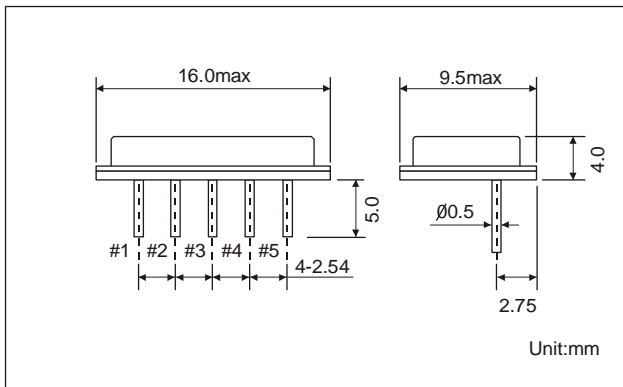


F-11

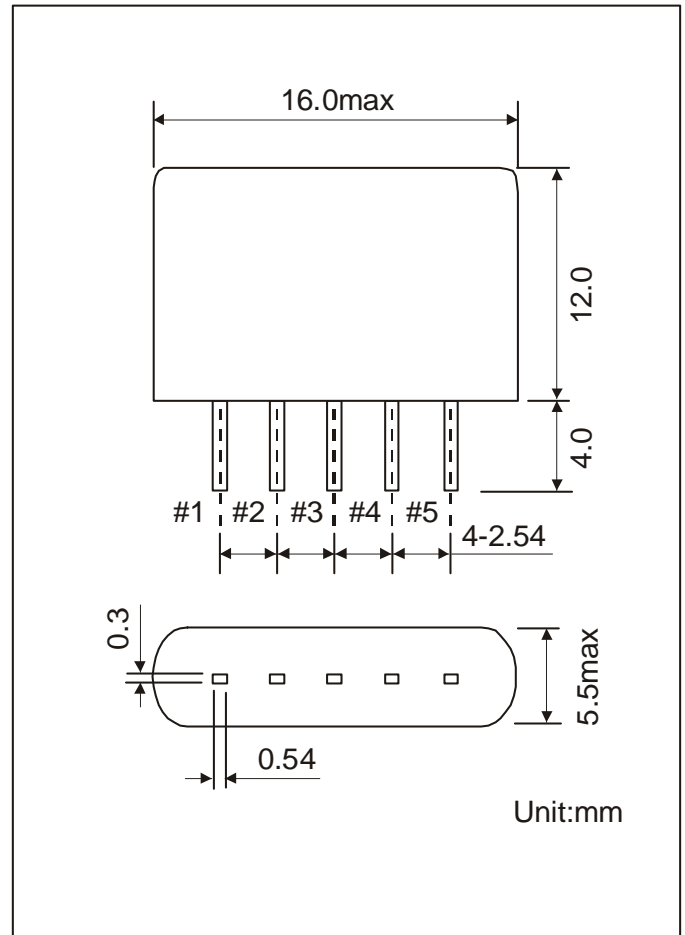




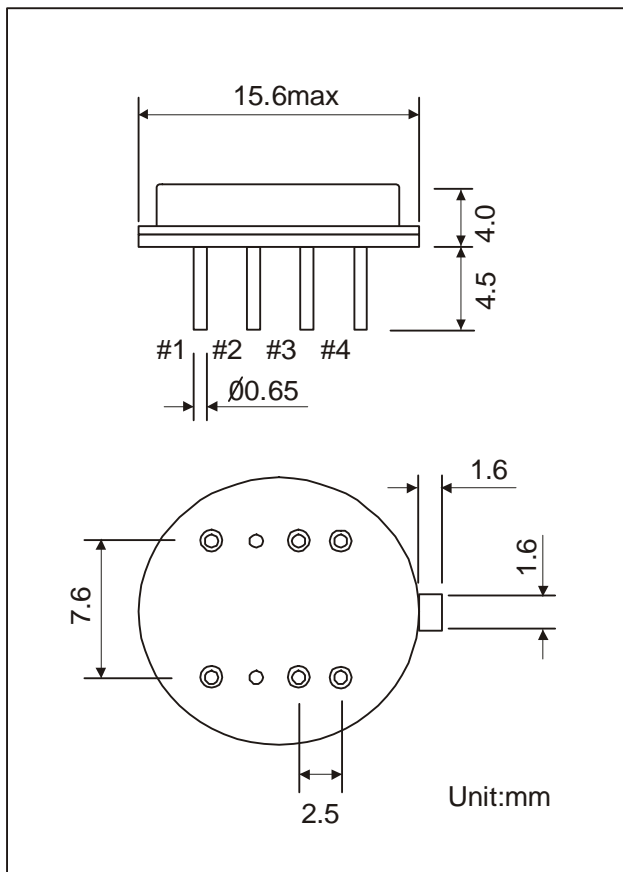
SF-915



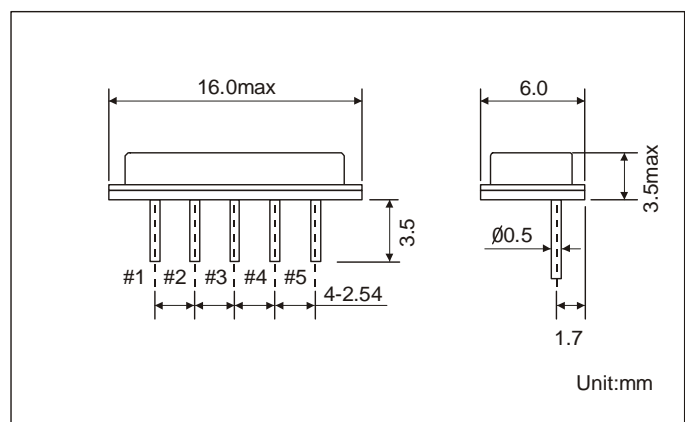
SIP5L



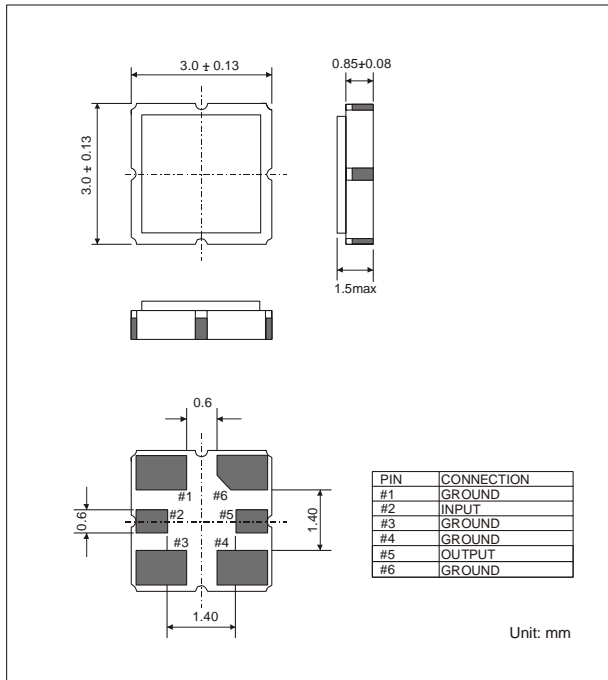
T-4



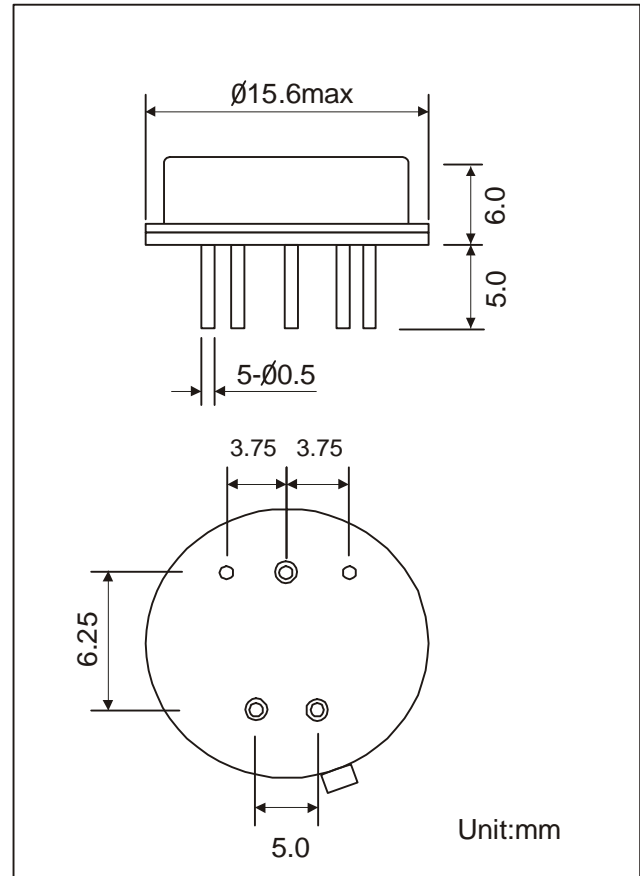
S-6BA



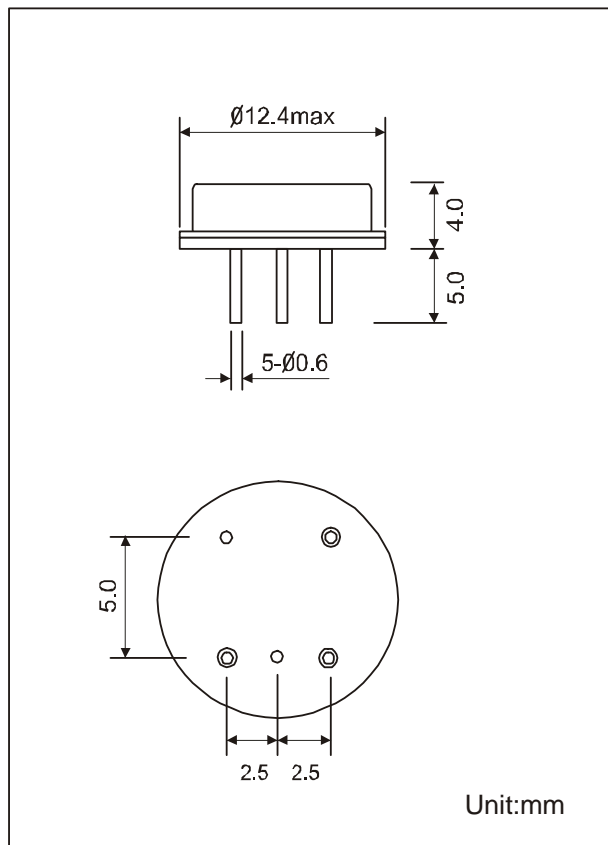
3 x 3 mm SMD



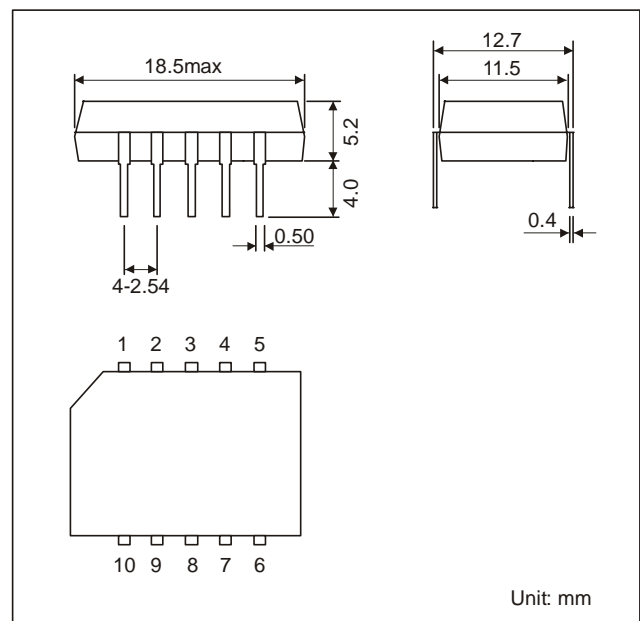
TO-8



TO-5



DIP10K





7 x 5 mm SMD

