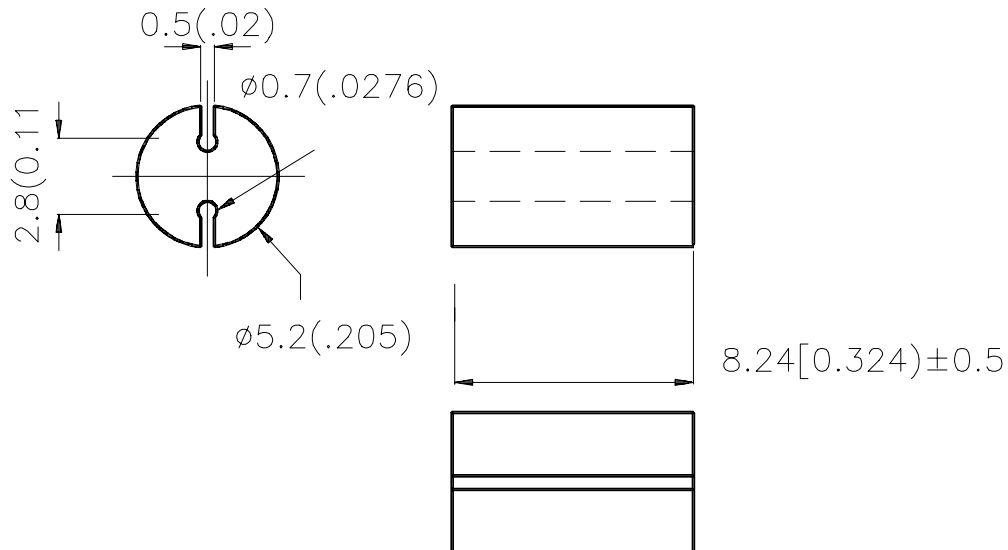


BR8.24

### Features

- LED FIRMLY HELD BY SPACER - NO ADDITIONAL FIXTURING OR GLUEING NECESSARY.
- CATHODE IS CLEARLY IDENTIFIED ON PACKAGE.
- SUITABLE FOR BACK PANEL ILLUMINATION, CIRCUIT BOARD INDICATOR, LED INDICATOR.
- UL RATING : 94V-0.
- HOUSING MATERIAL: TYPE 66 NYLON.

### Package Dimensions



### Notes:

1. All dimensions are in millimeters (inches).
2. Tolerance is  $\pm 0.25 (0.01)$ " unless otherwise noted.
3. Lead spacing is measured where the lead emerge package.
4. Specifications are subject to change without notice.