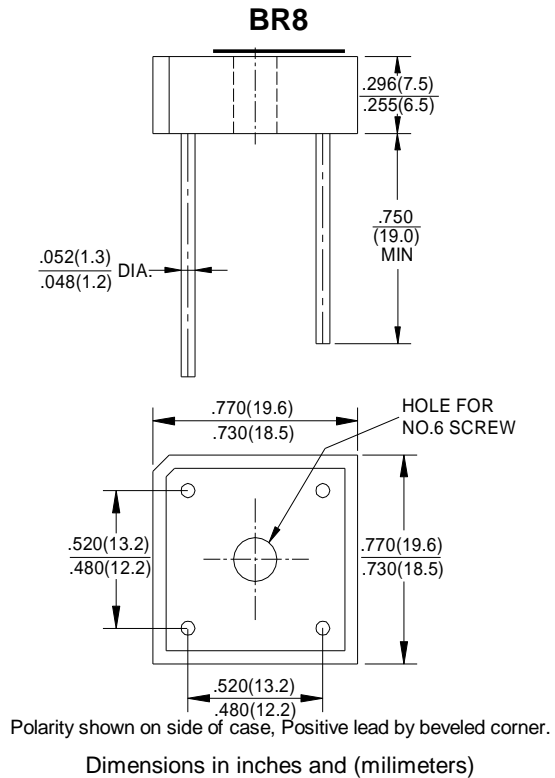


SILICON BRIDGE RECTIFIERS	REVERSE VOLTAGE - 50 to 1000Volts FORWARD CURRENT - 8.0 Amperes
----------------------------------	--

FEATURES

- Surge overload rating -200 amperes peak
- Low forward voltage drop
- Small size; simple installation
- Silver plated copper leads
- Mounting position: Any



MAXIMUM RATINGS AND ELECTRICAL CHARACTERISTICS

Rating at 25°C ambient temperature unless otherwise specified.

Single phase, half wave, 60Hz, resistive or inductive load.

For capacitive load, derate current by 20%

CHARACTERISTICS	SYMBOL	BR8005	BR801	BR802	BR804	BR806	BR808	BR810	UNIT	
Maximum Recurrent Peak Reverse Voltage	V _{RRM}	50	100	200	400	600	800	1000	V	
Maximum RMS Bridge Input Voltage	V _{RMS}	30	70	140	280	420	560	700	V	
Maximum Average Forward Rectified Output Current at T _C =100°C (Note1) T _A =40°C (Note2)	I _(AV)	8.0						3.0		A
Peak Forward Surge Current 8.3ms Single Half Sine-Wave Super Imposed on Rated Load	I _{FSM}	200								A
Maximum Forward Voltage Drop Per Bridge Element at 4.0A Peak	V _F	1.0								V
Maximum Reverse Current at Rated DC Blocking Voltage Per Element	I _R	10.0						1.0		uA mA
Operating Temperature Range	T _J	-55 to +125								°C
Storage Temperature Range	T _{STG}	-55 to +125								°C

- Notes: 1. Unit mounted on metal chassis
 2. Unit mounted on P.C. board

FIG.1-DERATING CURVE FOR
 OUTPUT RECTIFIED CURRENT

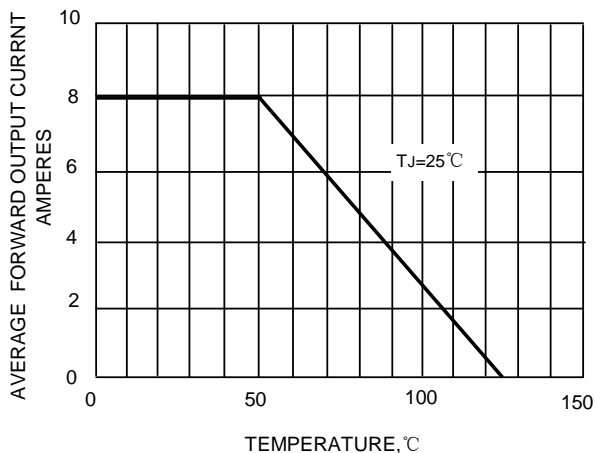


FIG.2-MAXIMUM FORWARD SURGE CURRENT

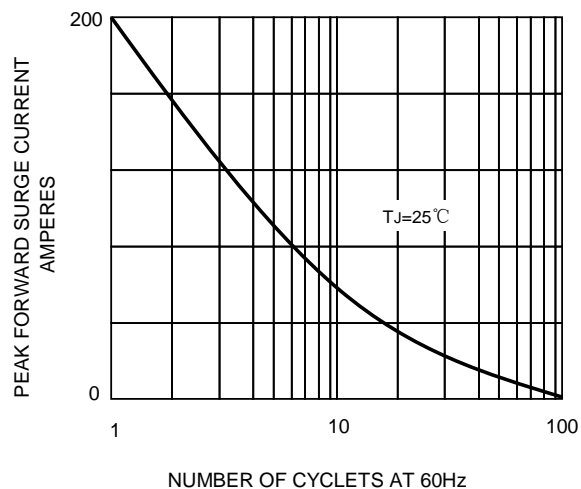


FIG.3-TYPICAL FORWARD
 CHARACTERISTICS

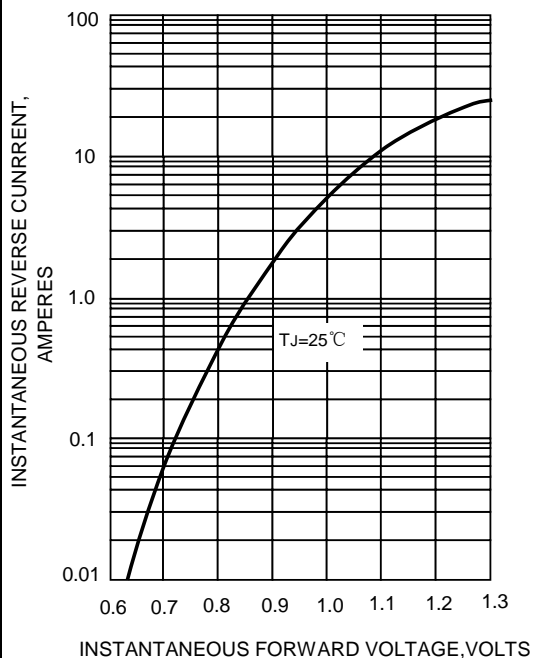


FIG.4-TYPICAL REVERSE
 CHARACTERISTICS

