

# Square Type

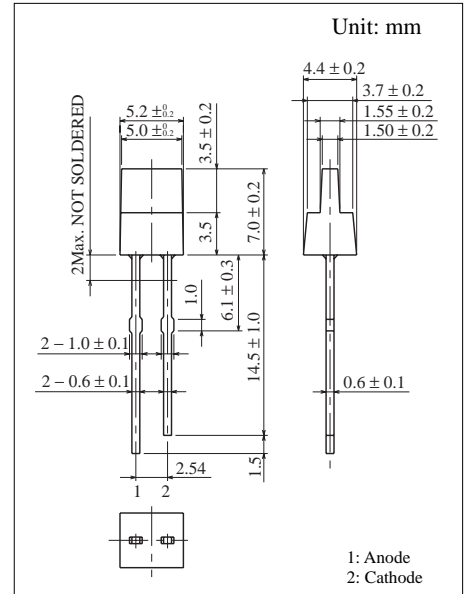
## 5.0 mm × 1.5 mm Series

Conventional Part No.	Global Part No.	Lighting Color
LN229RP	LNG229RDR	Red
LN329GP	LNG329GDG	Green
LN429YP	LNG429YDX	Amber

### Absolute Maximum Ratings (T<sub>a</sub> = 25°C)

Lighting Color	P <sub>D</sub> (mW)	I <sub>F</sub> (mA)	I <sub>FP</sub> (mA)*	V <sub>R</sub> (V)	T <sub>opr</sub> (°C)	T <sub>stg</sub> (°C)
Red	70	25	150	4	-25 ~ +85	-30 ~ +100
Green	90	30	150	4	-25 ~ +85	-30 ~ +100
Amber	90	30	150	4	-25 ~ +85	-30 ~ +100

I<sub>FP</sub>の条件は duty 10% Pulse width 1 msec. The condition of I<sub>FP</sub> is duty 10%, Pulse width 1 msec



### Electro-Optical Characteristics (T<sub>a</sub> = 25°C)

Conventional Part No.	Lighting Color	Lens Color	I <sub>O</sub>			V <sub>F</sub>		λ <sub>p</sub>	Δλ	I <sub>F</sub>	I <sub>R</sub>	
			Typ	Min	I <sub>F</sub>	Typ	Max				Max	V <sub>R</sub>
LN229RP	Red	Red Diffused	0.5	0.2	15	2.2	2.8	700	100	20	5	4
LN329GP	Green	Green Difused	1.5	0.5	20	2.2	2.8	565	30	20	10	4
LN429YP	Amber	Amber Diffused	1.5	0.5	20	2.2	2.8	590	30	20	10	4
Unit	—	—	mcd	mcd	mA	V	V	nm	nm	mA	μA	V

