



The Future of Analog IC Technology™

MP2303

3A, 28V, 340KHz Synchronous Rectified Step-Down Converter

INITIAL RELEASE – SPECIFICATIONS SUBJECT TO CHANGE

DESCRIPTION

The MP2303 is a monolithic synchronous buck regulator. The device integrates power MOSFETS that provide 3A continuous load current over a wide operating input voltage of 4.75V to 28V. Current mode control provides fast transient response and cycle-by-cycle current limit.

An adjustable soft-start prevents inrush current at turn-on. In shutdown mode, the supply current drops to 1µA.

This device, available in 8-pin SOIC and 3x3 10-pin QFN packages, provides a very compact system solution with minimal reliance on external components.

EVALUATION BOARD REFERENCE

| Board Number | Dimensions |
|--------------|-----------------------|
| EV2303DN-00A | 2.0"X x 1.5"Y x 0.5"Z |

FEATURES

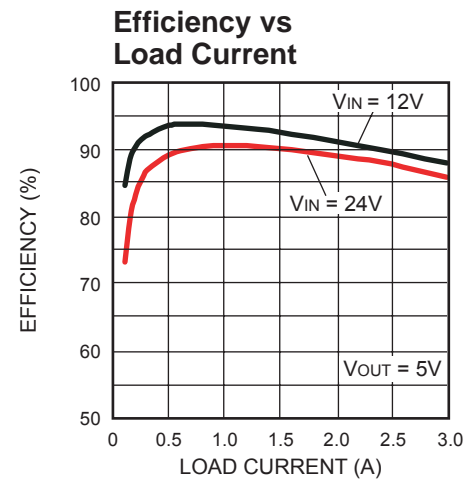
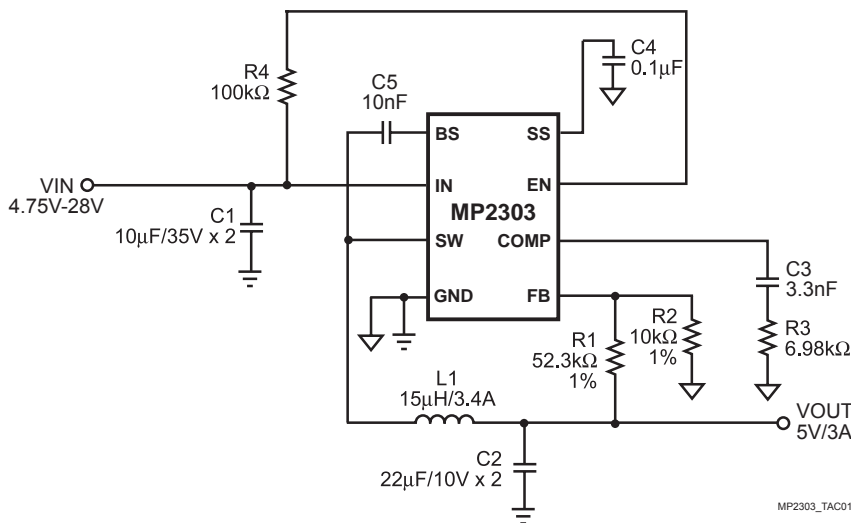
- 3A Output Current
- Wide 4.75V to 28V Operating Input Range
- Integrated Power MOSFET Switches
- Output Adjustable from 0.8V to 25V
- Up to 95% Efficiency
- Programmable Soft-Start
- Stable with Low ESR Ceramic Output Capacitors
- Fixed 340KHz Frequency
- Cycle-by-Cycle Over Current Protection
- Input Under Voltage Lockout
- Thermally Enhanced 8-Pin SOIC and 3x3 QFN10 Packages

APPLICATIONS

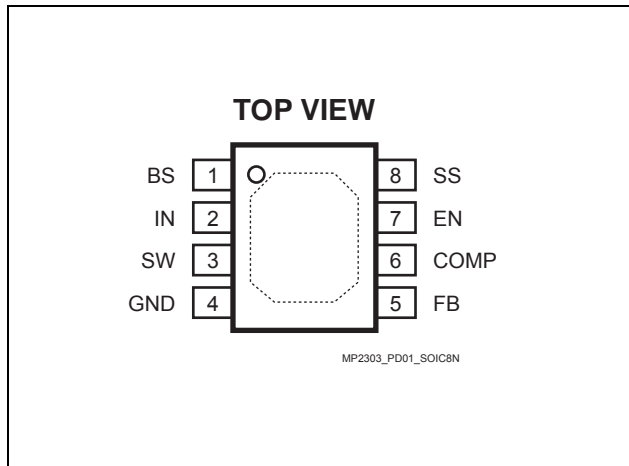
- Distributed Power Systems
- Pre-Regulator for Linear Regulators
- Notebook Computers

"MPS" and "The Future of Analog IC Technology" are Trademarks of Monolithic Power Systems, Inc.

TYPICAL APPLICATION



PACKAGE REFERENCE

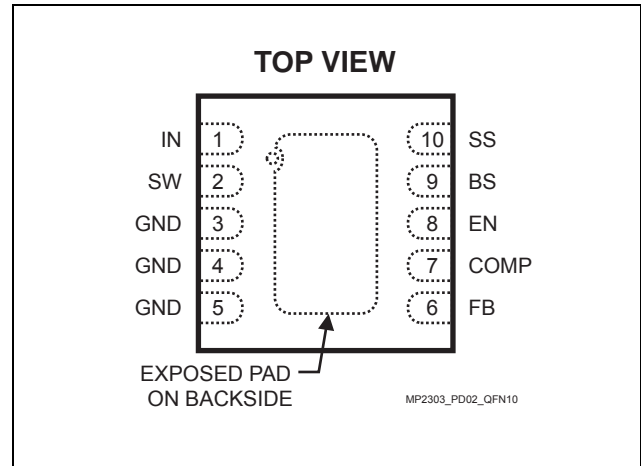


| Part Number* | Package | Temperature |
|--------------|-------------------------|----------------|
| MP2303DN | SOIC8N (Exposed Pad) | -40°C to +85°C |

* For Tape & Reel, add suffix -Z (eg. MP2303DN-Z)
 For RoHS compliant packaging, add suffix -LF (eg. MP2303DN-LF-Z)

ABSOLUTE MAXIMUM RATINGS ⁽¹⁾

| | |
|-------------------------------|----------------------------------|
| Supply Voltage V_{IN} | -0.3V to +30V |
| Switch Voltage V_{SW} | -1V to $V_{IN} + 0.3V$ |
| Boost Voltage V_{BS} | $V_{SW} - 0.3V$ to $V_{SW} + 6V$ |
| All Other Pins | -0.3V to +6V |
| Junction Temperature | 150°C |
| Lead Temperature | 260°C |
| Storage Temperature | -65°C to +150°C |



| Part Number* | Package | Temperature |
|--------------|--------------------|----------------|
| MP2303DQ | 3mm x 3mm QFN10 | -40°C to +85°C |

* For Tape & Reel, add suffix -Z (eg. MP2303DQ-Z)
 For RoHS compliant packaging, add suffix -LF (eg. MP2303DQ-LF-Z)

Recommended Operating Conditions ⁽²⁾

| | |
|-----------------------------------|----------------|
| Input Voltage V_{IN} | 4.75V to 28V |
| Output Voltage V_{OUT} | 0.8V to 25V |
| Ambient Operating Temperature ... | -40°C to +85°C |

| Thermal Resistance ⁽³⁾ | θ_{JA} | θ_{JC} | Units |
|-----------------------------------|---------------|---------------|-------|
| SOIC8N | 50 | 10 | °C/W |
| 3x3 QFN10 | 50 | 12 | °C/W |

Notes:

- Exceeding these ratings may damage the device.
- The device is not guaranteed to function outside of its operating conditions.
- Measured on approximately 1" square of 1 oz copper.

ELECTRICAL CHARACTERISTICS ⁽⁴⁾

$V_{IN} = 12V$, $T_A = +25^\circ C$, unless otherwise noted.

| Parameter | Symbol | Condition | Min | Typ ⁽⁴⁾ | Max | Units |
|----------------------------------|----------|---|-------|--------------------|-------|-----------|
| Shutdown Supply Current | | $V_{EN} = 0V$ | | 0.3 | 3.0 | μA |
| Supply Current | | $V_{EN} = 2.7V$, $V_{FB} = 1.0V$ | | 1.3 | 1.5 | mA |
| Feedback Voltage | V_{FB} | $4.75V \leq V_{IN} \leq 28V$, $T_A = +25^\circ C$ | 0.780 | 0.800 | 0.820 | V |
| | | $-40^\circ C \leq T_A \leq +85^\circ C$ | 0.772 | | 0.828 | V |
| OVP Threshold Voltage | | | 0.90 | 0.95 | 1.00 | V |
| Error Amplifier Voltage Gain | A_{EA} | | | 400 | | V/V |
| Error Amplifier Transconductance | G_{EA} | $\Delta I_C = \pm 10\mu A$ | 550 | 820 | 1100 | $\mu A/V$ |

ELECTRICAL CHARACTERISTICS ⁽⁴⁾ (continued)
 $V_{IN} = 12V$, $T_A = +25^{\circ}C$, unless otherwise noted.

| Parameter | Symbol | Condition | Min | Typ ⁽⁴⁾ | Max | Units |
|--|---------------|---|-----|--------------------|------|-------------|
| High-Side Switch-On Resistance | $R_{DS(ON)1}$ | | | 125 | | m Ω |
| Low-Side Switch-On Resistance | $R_{DS(ON)2}$ | | | 125 | | m Ω |
| High-Side Switch Leakage Current | | $V_{EN} = 0V$, $V_{SW} = 0V$ | | 0 | 10 | μA |
| Upper-Switch Current Limit | | | 4.3 | 6.3 | | A |
| Lower-Switch Current Limit | | From Drain to Source | | 1.25 | | A |
| COMP to Current Sense Transconductance | G_{CS} | | | 9 | | A/V |
| Oscillation Frequency | F_{osc1} | $T_A = +25^{\circ}C$ | 300 | 340 | 380 | KHz |
| | | $-40^{\circ}C \leq T_A \leq +85^{\circ}C$ | 270 | | 400 | KHz |
| Short Circuit Oscillation Frequency | F_{osc2} | $V_{FB} = 0V$ | | 110 | | KHz |
| Maximum Duty Cycle | D_{MAX} | $V_{FB} = 0.7V$ | | 90 | | % |
| Minimum On-Time | | | | 220 | | ns |
| EN Shutdown Threshold Voltage | | V_{EN} Rising | 1.1 | 1.5 | 2.0 | V |
| EN Shutdown Threshold Voltage Hysteresis | | | | 220 | | mV |
| EN Lockout Threshold Voltage | | | 2.2 | 2.5 | 2.7 | V |
| | | $-40^{\circ}C \leq T_A \leq +85^{\circ}C$ | 2.1 | | 2.8 | V |
| EN Lockout Hysteresis | | | | 210 | | mV |
| Input Under Voltage Lockout Threshold | UVLO | V_{IN} rising, $T_A = +25^{\circ}C$ | 3.8 | 4.05 | 4.30 | V |
| | | $-40^{\circ}C \leq T_A \leq +85^{\circ}C$ | 3.5 | | 4.70 | V |
| Input Under Voltage Lockout Threshold Hysteresis | | | | 210 | | mV |
| Soft-Start Current | | $V_{SS} = 0V$ | | 6 | | μA |
| Thermal Shutdown | | | | 160 | | $^{\circ}C$ |

Note:

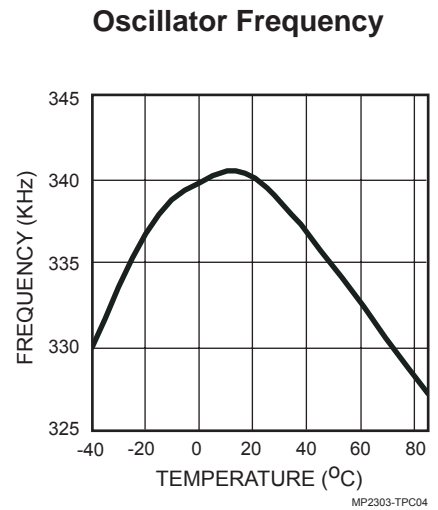
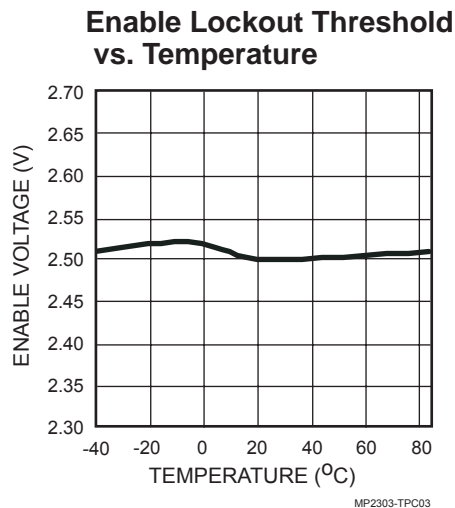
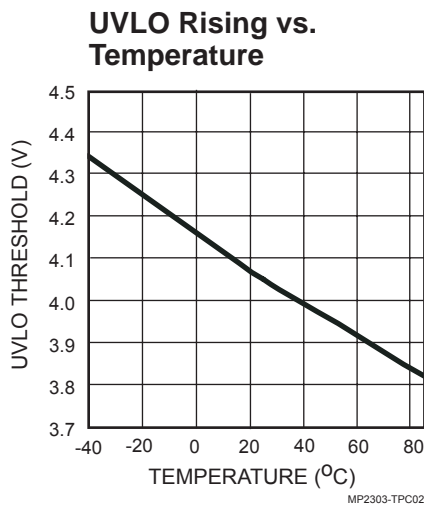
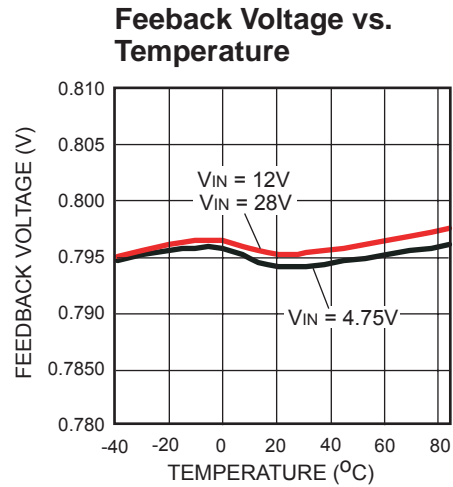
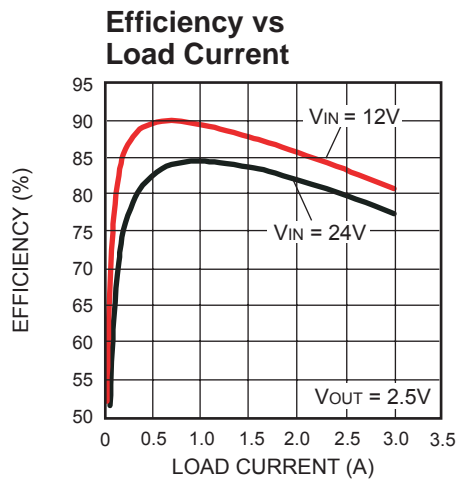
 4) 100% production test at $+25^{\circ}C$. Specifications over the temperature range are guaranteed by design and characterization.

PIN FUNCTIONS

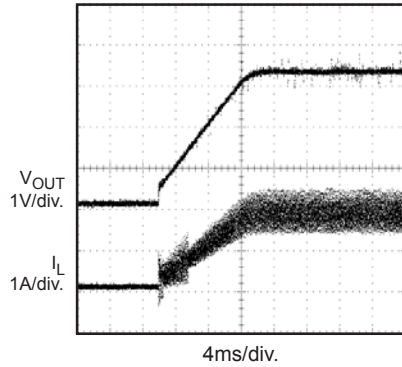
| SOIC8N Pin # | 3x3 QFN10 Pin # | Name | Description |
|-----------------|-----------------------|------|--|
| 1 | 9 | BS | High-Side Gate Drive Boost Input. BS supplies the drive for the high-side N-Channel MOSFET switch. Connect a 0.01 μ F or greater capacitor from SW to BS to power the high side switch. |
| 2 | 1 | IN | Power Input. IN supplies the power to the IC, as well as the step-down converter switches. Drive IN with a 4.75V to 28V power source. Bypass IN to GND with a suitably large capacitor to eliminate noise on the input to the IC. See <i>Input Capacitor</i> . |
| 3 | 2 | SW | Power Switching Output. SW is the switching node that supplies power to the output. Connect the output LC filter from SW to the output load. Note that a capacitor is required from SW to BS to power the high-side switch. |
| 4 | 3, 4, 5 | GND | Ground. SOIC8: Connect the exposed pad to pin 4. 3x3 QFN10: Connect to pins 3, 4 and 5 and ensure that said pins are tied together. |
| 5 | 6 | FB | Feedback Input. FB senses the output voltage to regulate that voltage. Drive FB with a resistive voltage divider from the output voltage. The feedback reference voltage is 0.8V. See <i>Setting the Output Voltage</i> . |
| 6 | 7 | COMP | Compensation Node. COMP is used to compensate the regulation control loop. Connect a series RC network from COMP to GND to compensate the regulation control loop. In some cases, an additional capacitor from COMP to GND is required. See <i>Compensation Components</i> . |
| 7 | 8 | EN | Enable Input. EN is a digital input that turns the regulator on or off. Drive EN higher than 2.7V to turn on the regulator, drive it lower than 1.1V to turn it off. Pull up to the IN pin with 100k Ω resistor for automatic startup. |
| 8 | 10 | SS | Soft-start Control Input. SS controls the soft-start period. Connect a capacitor from SS to GND to set the soft-start period. See <i>Soft-Start Capacitor</i> . |

TYPICAL PERFORMANCE CHARACTERISTICS

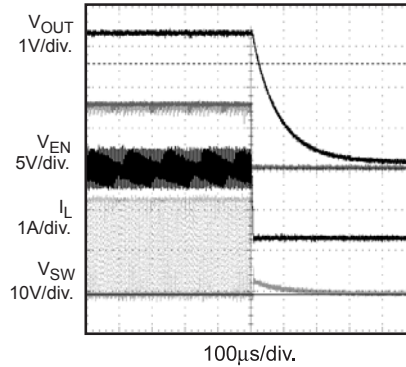
$V_{IN} = 12V$, $V_O = 3.3V$, $L = 10\mu H$, $C1 = 10\mu F$, $C2 = 22\mu F \times 2$, $T_A = +25^\circ C$, unless otherwise noted.



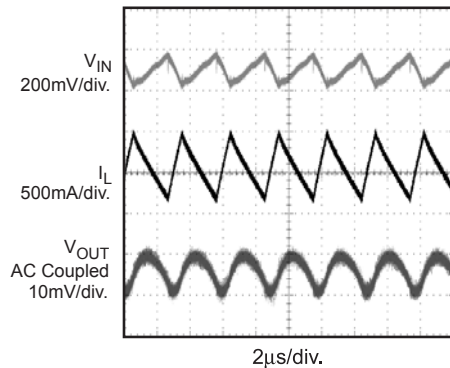
TYPICAL PERFORMANCE CHARACTERISTICS (continued)
 $V_{IN} = 12V, V_O = 3.3V, L = 10\mu H, C1 = 10\mu F, C2 = 22\mu F \times 2, T_A = +25^\circ C$, unless otherwise noted.

Power Up
 $V_{IN} = 24V, V_{OUT} = 3.3V, I_{OUT} = 2A, C_{SS} = 0.1\mu F$


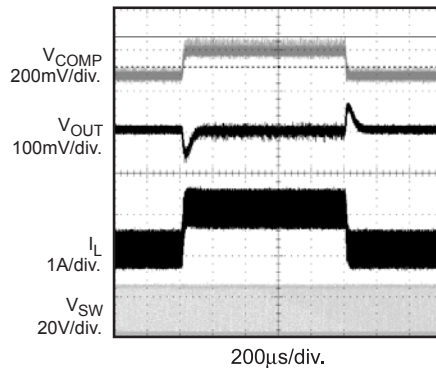
MP2303-TPC05

Power Off through Enable
 $V_{IN} = 24V, V_{OUT} = 3.3V, I_{OUT} = 2A$


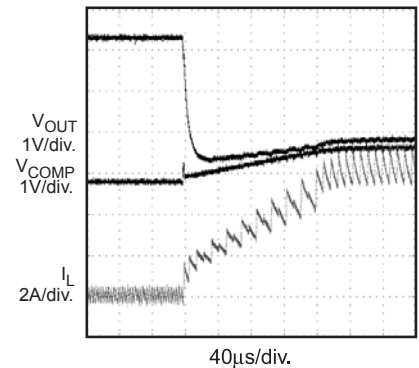
MP2303-TPC06

Steady State Test
 $V_{IN} = 12V, V_{OUT} = 3.3V, I_{OUT} = 1A$


MP2303-TPC07

Load Transient Test
 $V_{IN} = 24V, V_{OUT} = 3.3V, I_{OUT} = 0A-1A$ step with $C_{FF} = 470pF$


MP2303-TPC08

Short Circuit Protection
 $V_{IN} = 24V, V_{OUT} = 3.3V, I_{OUT} = 0A$


MP2303-TPC09

OPERATION

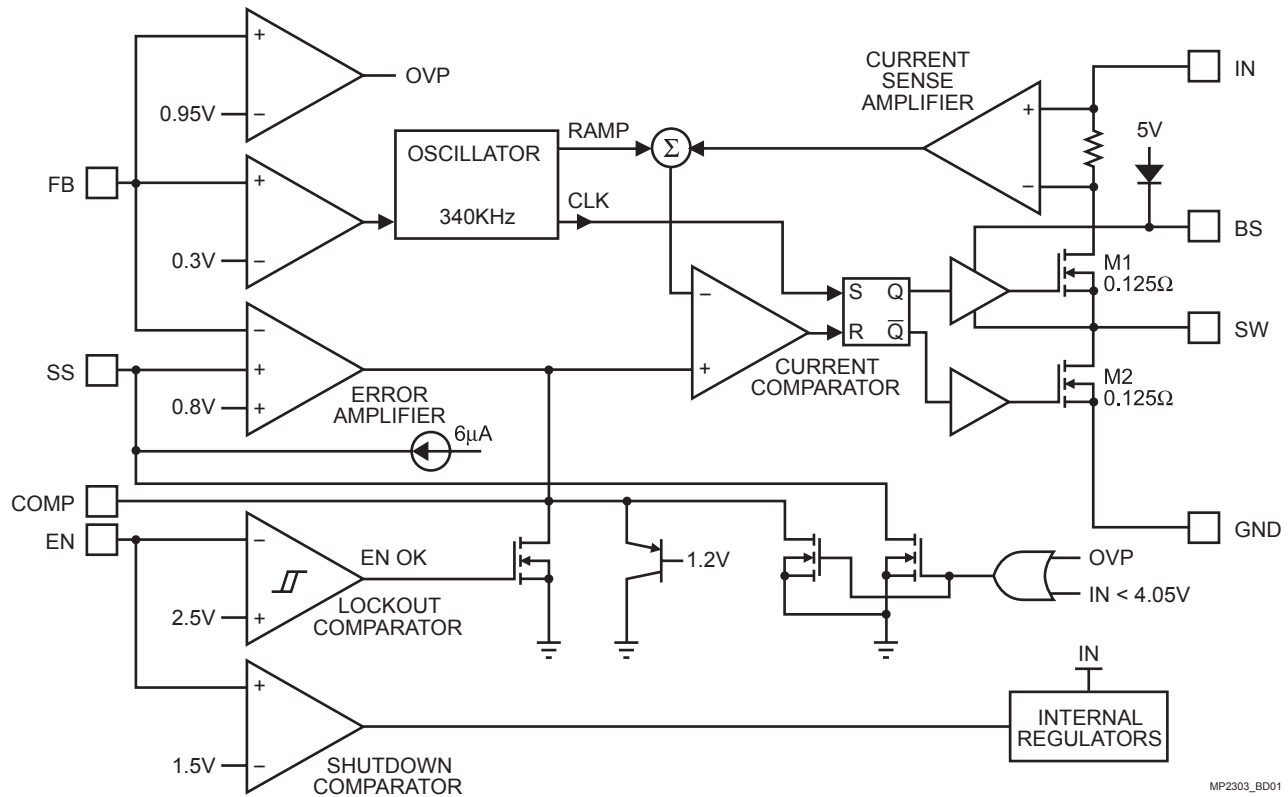


Figure 1—Functional Block Diagram

MP2303_BD01

The MP2303 is a synchronous rectified, current-mode, step-down regulator. It regulates input voltages from 4.75V to 28V down to an output voltage as low as 0.8V, and supplies up to 3A of load current.

The MP2303 uses current-mode control to regulate the output voltage. The output voltage is measured at FB through a resistive voltage divider and amplified through the internal transconductance error amplifier. The voltage at COMP pin is compared to the switch current measured internally to control the output voltage.

The converter uses internal N-Channel MOSFET switches to step-down the input voltage to the regulated output voltage. Since the high-side MOSFET requires a gate voltage greater than the input voltage, a boost capacitor connected between SW and BS is needed to drive the high-side gate. The boost capacitor is charged from the internal 5V rail when SW is low.

When the MP2303 FB pin exceeds 20% of the nominal regulation voltage of 0.8V, the over voltage comparator is tripped; the COMP pin and the SS pin are discharged to GND, forcing the high-side switch off.

APPLICATIONS INFORMATION

COMPONENT SELECTION

Setting the Output Voltage

The output voltage is set using a resistive voltage divider from the output voltage to FB pin. The voltage divider divides the output voltage down to the feedback voltage by the ratio:

$$V_{FB} = V_{OUT} \frac{R2}{R1 + R2}$$

Thus the output voltage is:

$$V_{OUT} = 0.8 \times \frac{R1 + R2}{R2}$$

Where V_{FB} is the feedback voltage and V_{OUT} is the output voltage.

A typical value for R2 can be as high as 100k Ω , but a typical value is 10k Ω . Using that value, R1 is determined by:

$$R1 = 12.5 \times (V_{OUT} - 0.8)(k\Omega)$$

For example, for a 3.3V output voltage, R2 is 10k Ω , and R1 is 31.3k Ω .

Inductor

The inductor is required to supply constant current to the output load while being driven by the switched input voltage. A larger value inductor will result in less ripple current that will result in lower output ripple voltage. However, the larger value inductor will have a larger physical size, higher series resistance, and/or lower saturation current. A good rule for determining the inductance to use is to allow the peak-to-peak ripple current in the inductor to be approximately 30% of the maximum switch current limit. Also, make sure that the peak inductor current is below the maximum switch current limit. The inductance value can be calculated by:

$$L = \frac{V_{OUT}}{f_s \times \Delta I} \times \left(1 - \frac{V_{OUT}}{V_{IN}}\right)$$

Where V_{IN} is the input voltage, f_s is the 340KHz switching frequency, and ΔI_L is the peak-to-peak inductor ripple current.

Choose an inductor that will not saturate under the maximum inductor peak current. The peak inductor current can be calculated by:

$$I_{LP} = I_{LOAD} + \frac{V_{OUT}}{2 \times f_s \times L} \times \left(1 - \frac{V_{OUT}}{V_{IN}}\right)$$

Where I_{LOAD} is the load current.

Optional Schottky Diode

During the transition between high-side switch and low-side switch, the body diode of the low-side power MOSFET conducts the inductor current. The forward voltage of this body diode is high. An optional Schottky diode may be paralleled between the SW pin and GND pin to improve overall efficiency. Table 2 lists example Schottky diodes and their Manufacturers.

Table 2—Diode Selection Guide

| Part Number | Voltage/Current Rating | Vendor |
|-------------|------------------------|-------------------------|
| B130 | 30V, 1A | Diodes, Inc. |
| SK13 | 30V, 1A | Diodes, Inc. |
| MBRS130 | 30V, 1A | International Rectifier |

Input Capacitor

The input current to the step-down converter is discontinuous, therefore a capacitor is required to supply the AC current to the step-down converter while maintaining the DC input voltage. Use low ESR capacitors for the best performance. Ceramic capacitors are preferred, but tantalum or low-ESR electrolytic capacitors may also suffice. Choose X5R or X7R dielectrics when using ceramic capacitors.

Since the input capacitor (C1) absorbs the input switching current it requires an adequate ripple current rating. The RMS current in the input capacitor can be estimated by:

$$I_{C1} = I_{LOAD} \times \sqrt{\frac{V_{OUT}}{V_{IN}} \times \left(1 - \frac{V_{OUT}}{V_{IN}}\right)}$$

The worst-case condition occurs at $V_{IN} = 2V_{OUT}$, where:

$$I_{C1} = \frac{I_{LOAD}}{2}$$

For simplification, choose the input capacitor whose RMS current rating greater than half of the maximum load current.

The input capacitor can be electrolytic, tantalum or ceramic. When using electrolytic or tantalum capacitors, a small, high quality ceramic capacitor, i.e. 0.1µF, should be placed as close to the IC as possible. When using ceramic capacitors, make sure that they have enough capacitance to provide sufficient charge to prevent excessive voltage ripple at input. The input voltage ripple caused by capacitance can be estimated by:

$$\Delta V_{IN} = \frac{I_{LOAD}}{f_S \times C1} \times \frac{V_{OUT}}{V_{IN}} \times \left(1 - \frac{V_{OUT}}{V_{IN}}\right)$$

Output Capacitor

The output capacitor is required to maintain the DC output voltage. Ceramic, tantalum, or low ESR electrolytic capacitors are recommended. Low ESR capacitors are preferred to keep the output voltage ripple low. The output voltage ripple can be estimated by:

$$\Delta V_{OUT} = \frac{V_{OUT}}{f_S \times L} \times \left(1 - \frac{V_{OUT}}{V_{IN}}\right) \times \left(R_{ESR} + \frac{1}{8 \times f_S \times C2}\right)$$

Where C2 is the output capacitance value and R_{ESR} is the equivalent series resistance (ESR) value of the output capacitor.

In the case of ceramic capacitors, the impedance at the switching frequency is dominated by the capacitance. The output voltage ripple is mainly caused by the capacitance. For simplification, the output voltage ripple can be estimated by:

$$\Delta V_{OUT} = \frac{V_{OUT}}{8 \times f_S^2 \times L \times C2} \times \left(1 - \frac{V_{OUT}}{V_{IN}}\right)$$

In the case of tantalum or electrolytic capacitors, the ESR dominates the impedance at the switching frequency. For simplification, the output ripple can be approximated to:

$$\Delta V_{OUT} = \frac{V_{OUT}}{f_S \times L} \times \left(1 - \frac{V_{OUT}}{V_{IN}}\right) \times R_{ESR}$$

The characteristics of the output capacitor also affect the stability of the regulation system. The

MP2303 can be optimized for a wide range of capacitance and ESR values.

Compensation Components

MP2303 employs current mode control for easy compensation and fast transient response. The system stability and transient response are controlled through the COMP pin. COMP pin is the output of the internal transconductance error amplifier. A series capacitor-resistor combination sets a pole-zero combination to control the characteristics of the control system.

The DC gain of the voltage feedback loop is given by:

$$A_{VDC} = R_{LOAD} \times G_{CS} \times A_{VEA} \times \frac{V_{FB}}{V_{OUT}}$$

Where A_{VEA} is the error amplifier voltage gain, 400V/V; G_{CS} is the current sense transconductance, 7.0A/V; R_{LOAD} is the load resistor value.

The system has 2 poles of importance. One is due to the compensation capacitor (C3) and the output resistor of error amplifier, and the other is due to the output capacitor and the load resistor. These poles are located at:

$$f_{P1} = \frac{G_{EA}}{2\pi \times C3 \times A_{VEA}}$$

$$f_{P2} = \frac{1}{2\pi \times C2 \times R_{LOAD}}$$

Where, G_{EA} is the error amplifier transconductance, 820µA/V, and R_{LOAD} is the load resistor value.

The system has one zero of importance, due to the compensation capacitor (C3) and the compensation resistor (R3). This zero is located at:

$$f_{Z1} = \frac{1}{2\pi \times C3 \times R3}$$

The system may have another zero of importance, if the output capacitor has a large capacitance and/or a high ESR value. The zero, due to the ESR and capacitance of the output capacitor, is located at:

$$f_{ESR} = \frac{1}{2\pi \times C2 \times R_{ESR}}$$

In this case, a third pole set by the optional compensation capacitor (C6) and the compensation resistor (R3) is used to compensate the effect of the ESR zero on the loop gain. This pole is located at:

$$f_{P3} = \frac{1}{2\pi \times C6 \times R3}$$

The goal of compensation design is to shape the converter transfer function to get a desired loop gain. The system crossover frequency where the feedback loop has the unity gain is important.

Lower crossover frequencies result in slower line and load transient responses, while higher crossover frequencies could cause system instability. A good rule of thumb is to set the crossover frequency to approximately one-tenth of the switching frequency. Switching frequency for the MP2303 is 340KHz, so the desired crossover frequency is 34KHz.

Table 3 lists the typical values of compensation components for some standard output voltages with various output capacitors and inductors. The values of the compensation components have been optimized for fast transient responses and good stability at given conditions.

Table 3—Compensation Values for Typical Output Voltage/Capacitor Combinations

| V _{OUT} | L | C2 | R3 | C3 | C6 |
|------------------|---------------|--------------------|--------|-------|-------|
| 1.8V | 4.7µH | 100µF Ceramic | 5.6kΩ | 5.6nF | None |
| 2.5V | 4.7µH - 6.8µH | 47µF Ceramic | 3.65kΩ | 8.2nF | None |
| 3.3V | 6.8µH - 10µH | 22µFx2 Ceramic | 4.42kΩ | 4.7nF | None |
| 5V | 10µH - 15µH | 22µFx2 Ceramic | 6.98kΩ | 3.3nF | None |
| 12V | 15µH - 22µH | 22µFx2 Ceramic | 16.5kΩ | 1.8nF | None |
| 1.8 | 4.7µH | 100µF/100mΩ SP-CAP | 8.4kΩ | 2.2nF | None |
| 2.5V | 4.7µH - 6.8µH | 47µF SP-CAP | 5.6kΩ | 3.3nF | None |
| 3.3V | 6.8µH - 10µH | 47µF SP-CAP | 6.8kΩ | 2.2nF | None |
| 5V | 10µH - 15µH | 47µF SP CAP | 10kΩ | 2.2nF | None |
| 2.5V | 4.7µH - 6.8µH | 560µF Al. 30mΩ ESR | 10kΩ | 12nF | 1.8nF |
| 3.3V | 6.8µH - 10µH | 560µF Al. 30mΩ ESR | 10kΩ | 10nF | 1.5nF |
| 5V | 10µH - 15µH | 470µF Al. 30mΩ ESR | 15kΩ | 8.2nF | 1nF |
| 12V | 15µH - 22µH | 220µF Al. 30mΩ ESR | 15kΩ | 10nF | 390pF |

To optimize the compensation components for conditions not listed in Table 2, the following procedure can be used.

1. Choose the compensation resistor (R3) to set the desired crossover frequency. Determine the R3 value by the following equation:

$$R3 = \frac{2\pi \times C2 \times f_C}{G_{EA} \times G_{CS}} \times \frac{V_{OUT}}{V_{FB}}$$

Where f_C is the desired crossover frequency, 34KHz.

2. Choose the compensation capacitor (C3) to achieve the desired phase margin. For applications with typical inductor values, setting the compensation zero, f_{Z1} , below one fourth of the crossover frequency provides sufficient phase margin. Determine the C3 value by the following equation:

$$C3 > \frac{4}{2\pi \times R3 \times f_C}$$

3. Determine if the second compensation capacitor (C6) is required. It is required if the ESR zero of the output capacitor is located at less than half of the 340KHz switching frequency, or the following relationship is valid:

$$\frac{1}{2\pi \times C2 \times R_{ESR}} < \frac{f_S}{2}$$

If this is the case, then add the optional compensation capacitor (C6) to set the pole f_{P3} at the location of the ESR zero. Determine the C6 value by the equation:

$$C6 = \frac{C2 \times R_{ESR}}{R3}$$

Soft-Start Capacitor

To reduce input inrush current during startup, a programmable soft-start is provided by connecting a capacitor (C4) from pin SS to GND. The soft-start time is given by:

$$t_{SS} = C4 \times \frac{0.8V}{6\mu A}$$

To reduce the susceptibility to noise, do not leave SS pin open. Use a capacitor with small value if you do not need soft-start function.

External Bootstrap Diode

It is recommended that an external bootstrap diode be added when the system has a 5V fixed input or the power supply generates a 5V output. This helps improve the efficiency of the regulator. The bootstrap diode can be a low cost one such as IN4148 or BAT54.

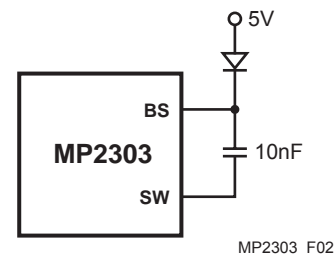
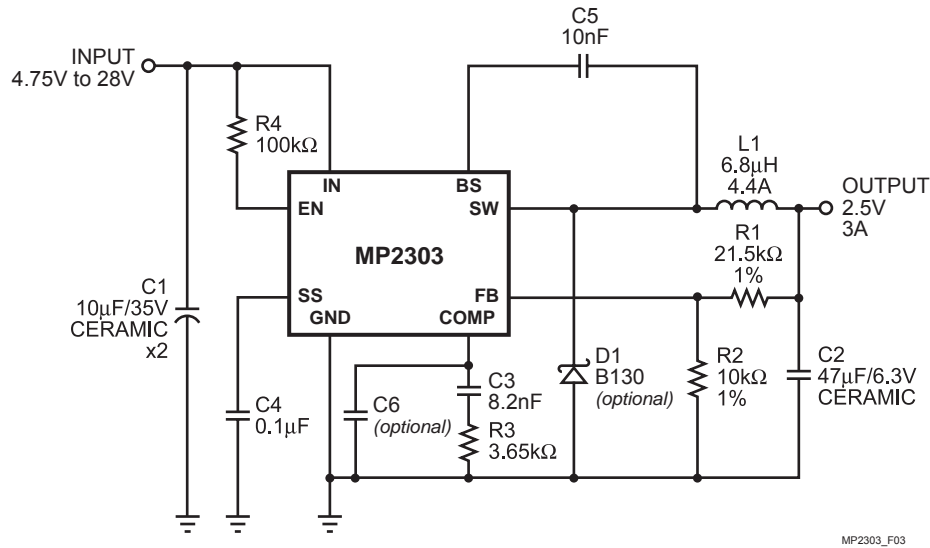
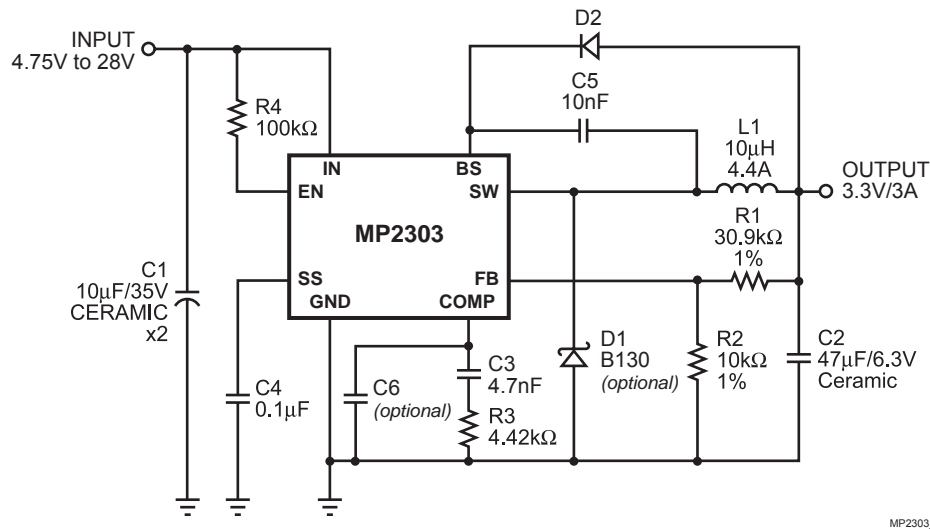
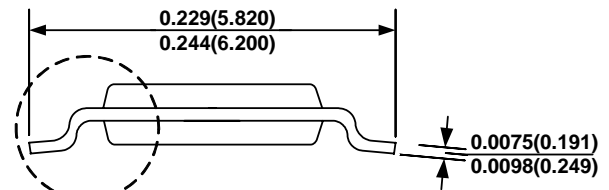
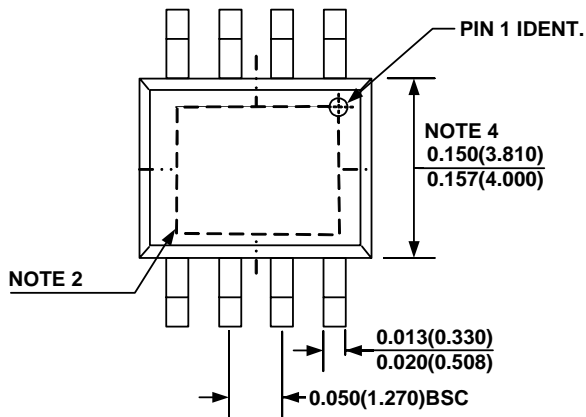
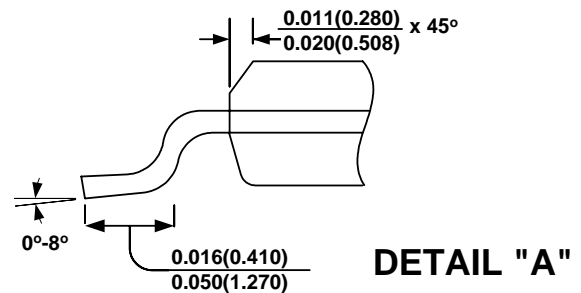
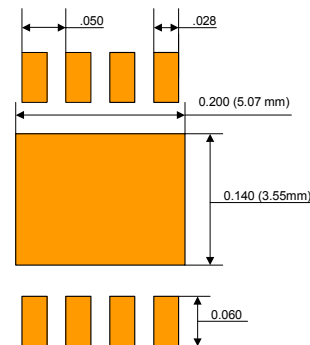
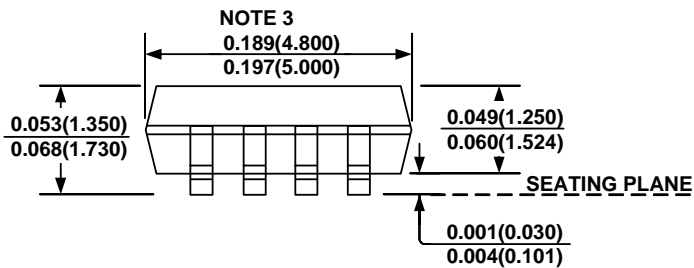


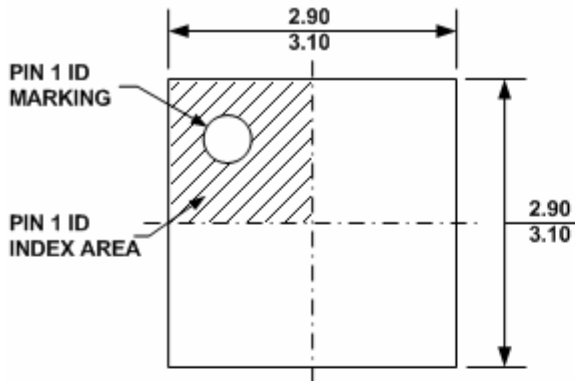
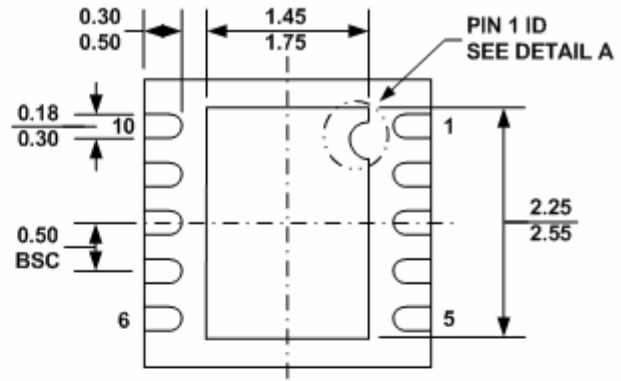
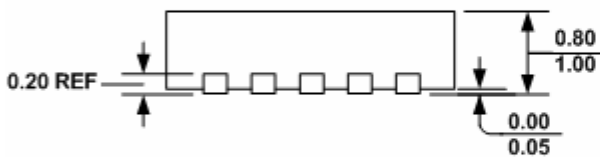
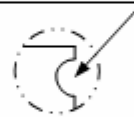
Figure 2—External Bootstrap Diode

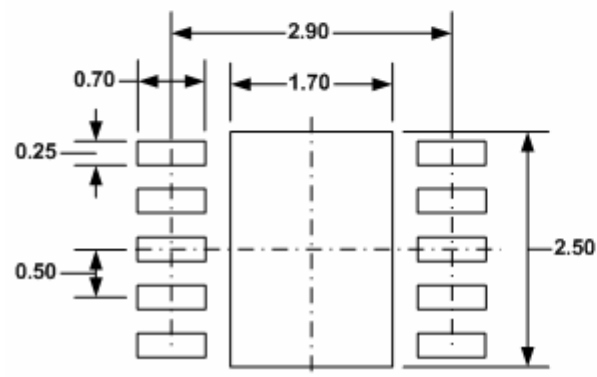
This diode is also recommended for high duty cycle operation ($\frac{V_{OUT}}{V_{IN}} > 65\%$) and high output voltage ($V_{OUT} > 12V$) applications.

TYPICAL APPLICATION CIRCUITS

Figure 3—MP2303 with 2.5V Output, 47µF/6.3V Ceramic Output Capacitor

Figure 4—MP2303 with 3.3V Output, 47µF/6.3V Ceramic Output Capacitor

PACKAGE INFORMATION
SOIC8N (EXPOSED PAD)

SEE DETAIL "A"

DETAIL "A"

Land Pattern
NOTE:

- 1) Control dimension is in inches. Dimension in bracket is millimeters.
- 2) Exposed Pad Option (N-Package) ; 2.31mm -2.79mm x 2.79mm - 3.81mm.
Recommend Solder Board Area: 2.80mm x 3.82mm = 10.7mm² (16.6 mil²)
- 3) The length of the package does not include mold flash. Mold flash shall not exceed 0.006in. (0.15mm) per side.
With the mold flash included, over-all length of the package is 0.2087in. (5.3mm) max.
- 4) The width of the package does not include mold flash. Mold flash shall not exceed 0.10in. (0.25mm) per side.
With the mold flash included, over-all width of the package is 0.177in. (4.5mm) max.

3mm x 3mm QFN10

TOP VIEW

BOTTOM VIEW

SIDE VIEW
**PIN 1 ID OPTION A
R0.20 TYP.**

**PIN 1 ID OPTION B
R0.20 TYP.**

DETAIL A

RECOMMENDED LAND PATTERN
NOTE:

- 1) ALL DIMENSIONS ARE IN MILLIMETERS.
- 2) EXPOSED PADDLE SIZE DOES NOT INCLUDE MOLD FLASH.
- 3) LEAD COPLANARITY SHALL BE 0.10 MILLIMETER MAX.
- 4) DRAWING CONFORMS TO JEDEC MO-229, VARIATION VEED-5.
- 5) DRAWING IS NOT TO SCALE.

NOTICE: The information in this document is subject to change without notice. Please contact MPS for current specifications. Users should warrant and guarantee that third party Intellectual Property rights are not infringed upon when integrating MPS products into any application. MPS will not assume any legal responsibility for any said applications.