

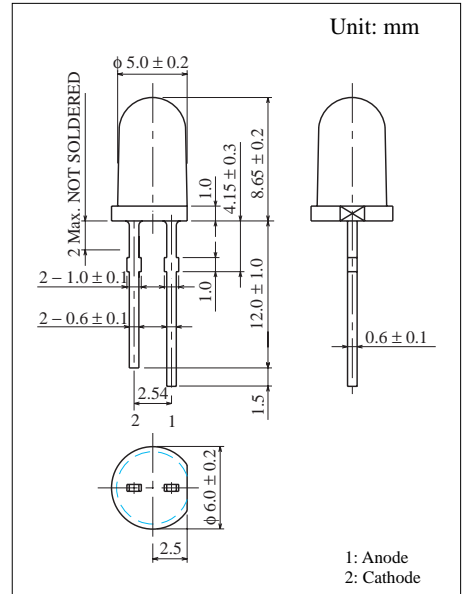
丸形 Round Type  
φ 5.0 mm Series

Conventional Part No.	Global Part No.	Lighting Color
LN21RAL(U) .....	LNG201RDA .....	Red
LN21RCAL(U) .....	LNG201LDA .....	Red
LN21WAL(U) .....	LNG201WDA .....	Red
LN21CAL(U) .....	LNG201CDA .....	Red

■ 絶対最大定格 Absolute Maximum Ratings (T<sub>a</sub> = 25°C)

Lighting Color	P <sub>D</sub> (mW)	I <sub>F</sub> (mA)	I <sub>FP</sub> (mA)*	V <sub>R</sub> (V)	T <sub>opr</sub> (°C)	T <sub>stg</sub> (°C)
Red	70	30	150	3	-25 ~ +85	-30 ~ +100

I<sub>FP</sub>の条件は duty 10% , Pulse width 1 msec. The condition of I<sub>FP</sub> is duty 10%, Pulse width 1 msec



■ 電気的光学的特性 Electro-Optical Characteristics (T<sub>a</sub> = 25°C)

Conventional Part No.	Lighting Color	Lens Color	I <sub>O</sub>			V <sub>F</sub>		λ <sub>p</sub>	Δλ	I <sub>F</sub>	I <sub>R</sub>	
			Typ	Min	I <sub>F</sub>	Typ	Max				Max	V <sub>R</sub>
LN21RAL(U)	Red	Red Diffused	50	20	20	1.8	2.6	665	20	20	100	3
LN21RCAL(U)	Red	Red Clear	85	30	20	1.8	2.6	665	20	20	100	3
LN21WAL(U)	Red	White Diffused	50	20	20	1.8	2.6	665	20	20	100	3
LN21CAL(U)	Red	Clear	85	30	20	1.8	2.6	665	20	20	100	3
Unit	—	—	mcd	mcd	mA	V	V	nm	nm	mA	μA	V

