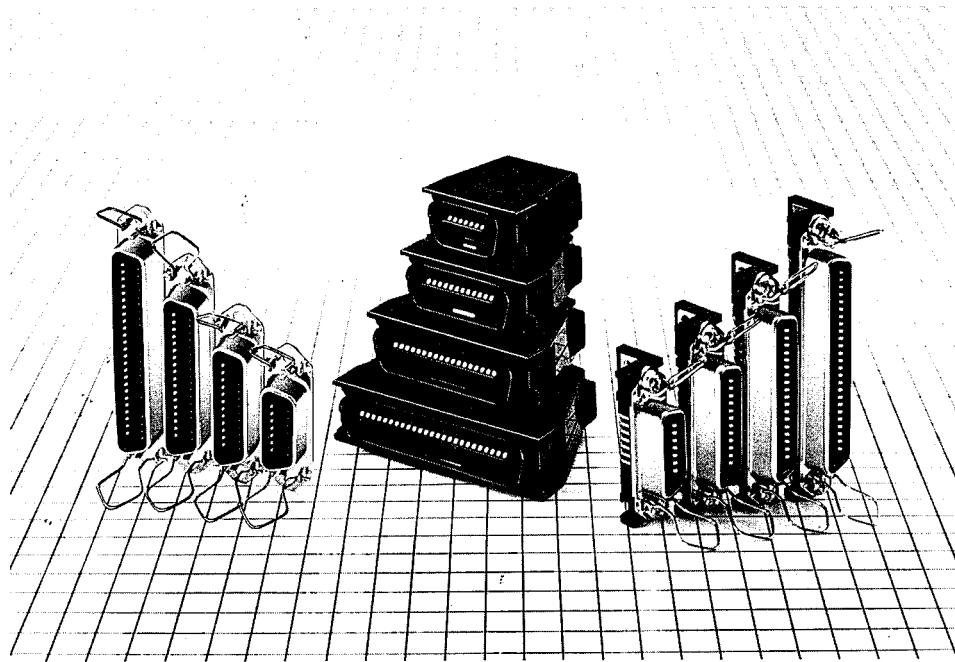


RC SERIES RIBBON CONNECTORS

General

The RC Series connectors are rectangular multicontact connectors provided with ribbon contacts and are designed to be mounted directly on PCBs. Suitable as the interface for measuring instruments and printers. 14,24,36 and 50-contact models are available.



Features

1. Direct dip soldering on PCB enables convenient parallel (RC10 type) and vertical (RC20 type) connection with cable plug and use of mass termination technology from PCB to equipment panels.
2. IDC Plug in combination with hood with grounding insert meets FCC requirements. (RC30 type)
3. Ideally suited for printer interface (Conforms to CENTRONICS standard).(RC30 type)
4. Can be easily connected to a standard ribbon cable, having a cable IDC pitch of 1.27 mm. (standard) (RC30 type)
5. Easy to connect cables by following the same IDC termination procedure and connecting press as used for our other ribbon cable connectors. (RC30 type)
6. Authorized by UL

Applications

Interfaces for computers, peripherals and terminals, communication equipment, and printers.

Ordering Informations

P.C. Mount type

$\overline{\text{R C 10}} - \overline{\text{36 R 3}} - \overline{\text{LW}}$
 (1) (2) (3) (4) (5) (6)

- (1) Series name (RC: Ribbon Contact)
- (2) Type: 10 – Right Angle type
20 – Straight type
- (3) No. of pins: 14, 24, 36 and 50 way
- (4) Receptacle type
- (5) PCB Mounting Configuration: Blank: M3 x 0.5
- (6) 1: Snap-Lock PCB
grounding Insert
3: $\phi 3.2$ (.126") Hole
LW: Bail Lock

IDC type

$\overline{\text{R C 30}} - \overline{\text{36 R}} - \overline{\text{LW}}$
 (1) (2) (3) (4) (5)

- (1) Series name (RC: Ribbon Contact)
- (2) Type: IDC
- (3) No. of pins: 14, 24, 36 and 50 way
- (4) P: Plug
R: Receptacle
- (5) CV: Hood
LW: Lock wire

Material and Finish

P.C. Mount type

Electrical and Environmental Characteristics		
Current rating	3A	
Voltage rating	AC 500V	
Insulation resistance	1000M Ω or higher at DC 500V	
Contact resistance	RC10	35m Ω or less at DC 100mA
	RC20	15m Ω or less at DC 100mA
Withstand voltage	AC 1200V r.m.s for 2 minute	

Material and Finish		
Shell	Copper Alloy	Nickel plating
Insulator	PBT (G.E.Valox)	Black (UL94V-0)
Contacts	Phosphor bronze	Selective gold plating over nickel and Solder

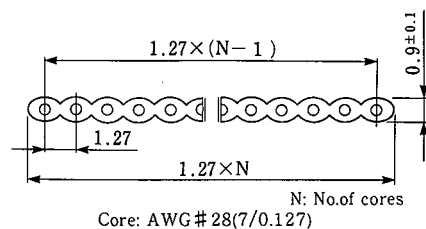
IDC type

Electrical and Environmental Characteristics	
Current rating	1A
Voltage rating	AC 200V
Insulation resistance	1000M Ω higher at DC 500V
Contact resistance	25m Ω or less at DC 100mA
Withstand voltage	AC 650V r.m.s for a minute

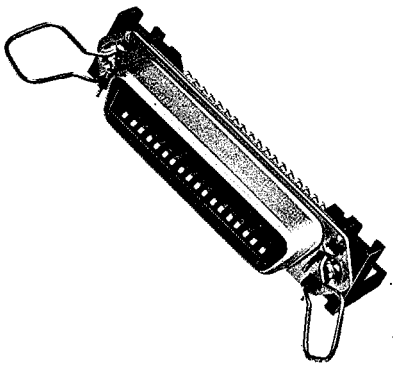
Material and Finish		
Insulator	Phosphor Bronze	Selective gold plating over nickel and Solder
Plug case	ABS Resin	Black
Food insert	Brass	Nickel plating
Shell	Copper alloy	Nickel plating
Insulator	Plug	Polybutylene terephthalate resin Polycarbonate resin *
	Receptacle	Selective gold plating over nickel and Solder *

*(UL94V-0)

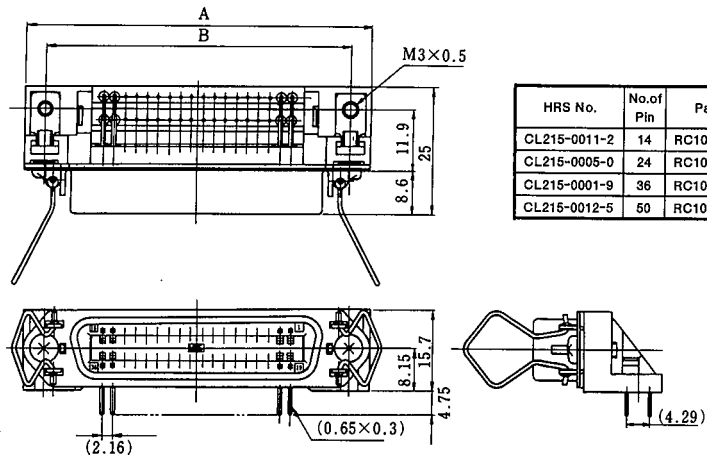
Cable specifications



RC10 Type

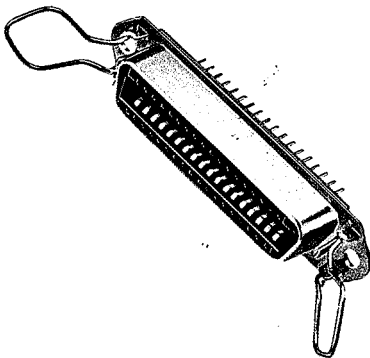


CL215-0001-9
RC10-36R-LW

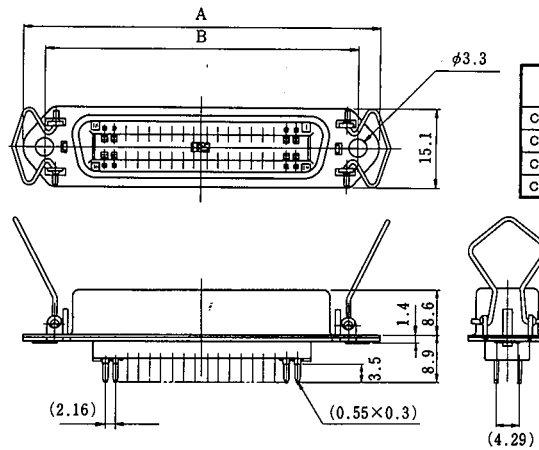


HRS No.	No. of Pin	Part No.	Unit: mm	
			A	B
CL215-0011-2	14	RC10-14R-LW	43.99	35.99
CL215-0005-0	24	RC10-24B-LW	54.78	46.78
CL215-0001-9	36	RC10-36R-LW	67.74	59.74
CL215-0012-5	50	RC10-50R-LW	82.85	74.85

RC20 Type

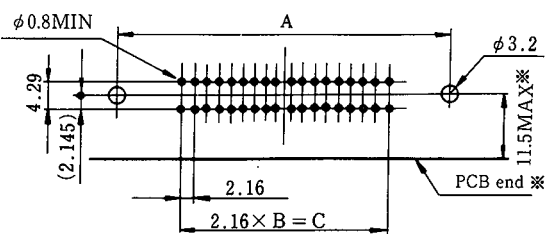


CL215-0002-1
RC20-36R-LW

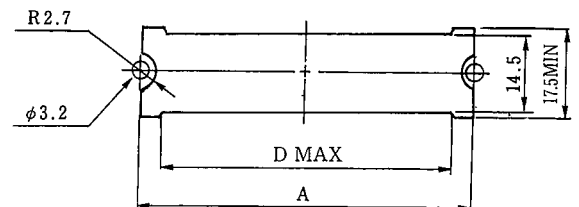


HRS No.	No. of Pin	Part No.	Unit: mm	
			A	B
CL215-0013-8	14	RC20-14R-LW	43.99	35.99
CL215-0006-2	24	RC20-24B-LW	54.78	46.78
CL215-0002-1	36	RC20-36R-LW	67.74	59.74
CL215-0014-0	50	RC20-50R-LW	82.85	74.85

PCB Layout (mm)

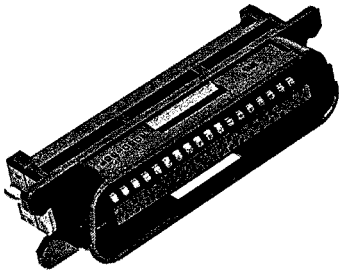


Panel Cutout (mm)

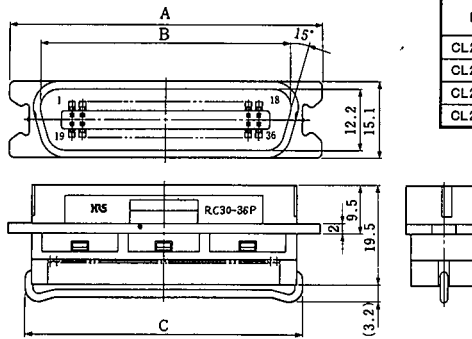


No. of Pin	Unit: mm			
	A	B	C	D
14	35.99	6	12.96	28.2
24	46.78	11	23.76	39
36	59.74	17	36.72	52
50	74.85	24	51.84	66.1

RC30 IDC Plug



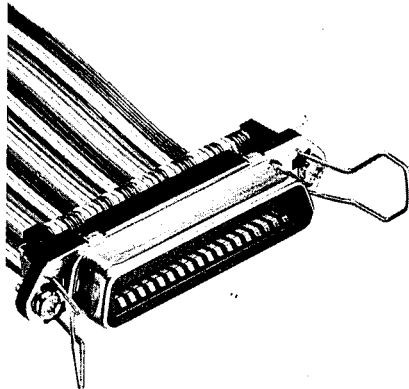
CL215-0007-5
RC30-36P



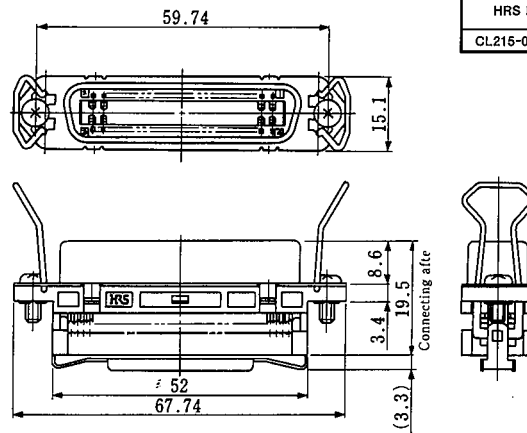
Unit: mm

HRS No.	No. of Pin	Part No.	A	B	C
CL215-0015-3	14	RC-30-14P	37.74	28.36	29.1
CL215-0016-6	24	RC-30-24P	48.54	36.24	40.1
CL215-0007-5	36	RC-30-36P	61.5	49.2	54.5
CL215-0017-9	50	RC-30-50P	76.62	64.31	70.5

Hood

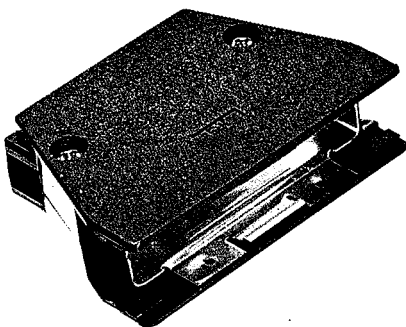


CL215-0041-3
RC30-36R-LW

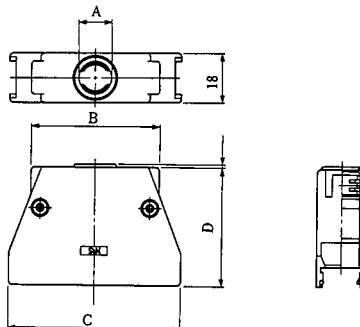


HRS No.	No. of Pin	Part No.
CL215-0041-3	36	RC30-36R-LW

RC30 IDC Receptacle



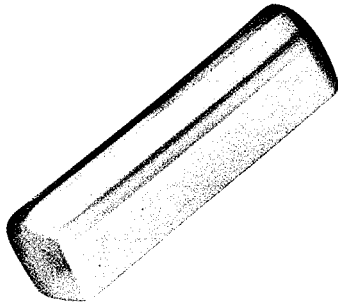
CL215-008-8
RC30-36-CV



Unit: mm

HRS No.	No. of Pin	Part No.	A	B	C	D
CL215-0018-1	14	RC30-14-CV	9	32	37.74	38.3
CL215-0019-4	24	RC30-24-CV	10	37	48.54	39.8
CL215-0008-8	36	RC30-36-CV	12	47	61.5	42.8
CL215-0020-3	50	RC30-50-CV	14	60	76.62	46.3

Dust Cap



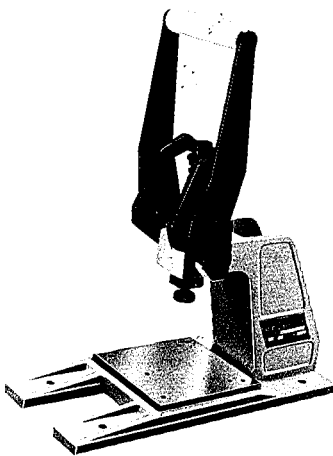
CL215-0021-6
RC-36R-DC

* RC10-36R-LW RC20-36R-LW
RC30-36R-LW

HRS No.	No. of Pins	Part No.
CL215-0021-6	36	RC-36R DC

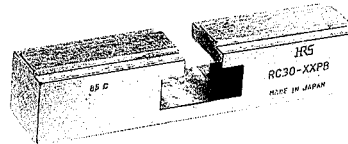
Tooling

HIF Connecting Press



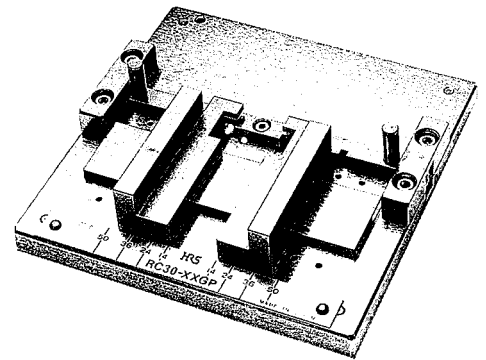
HRS No.	Part No.
550-0082-2	Hi-Flex Connecting Press

RC30-XXPB (Pressure Block)



HRS No.	Part No.
902-0033-6	RC30 XXPB

RC30-XXGP (Guide Plate)



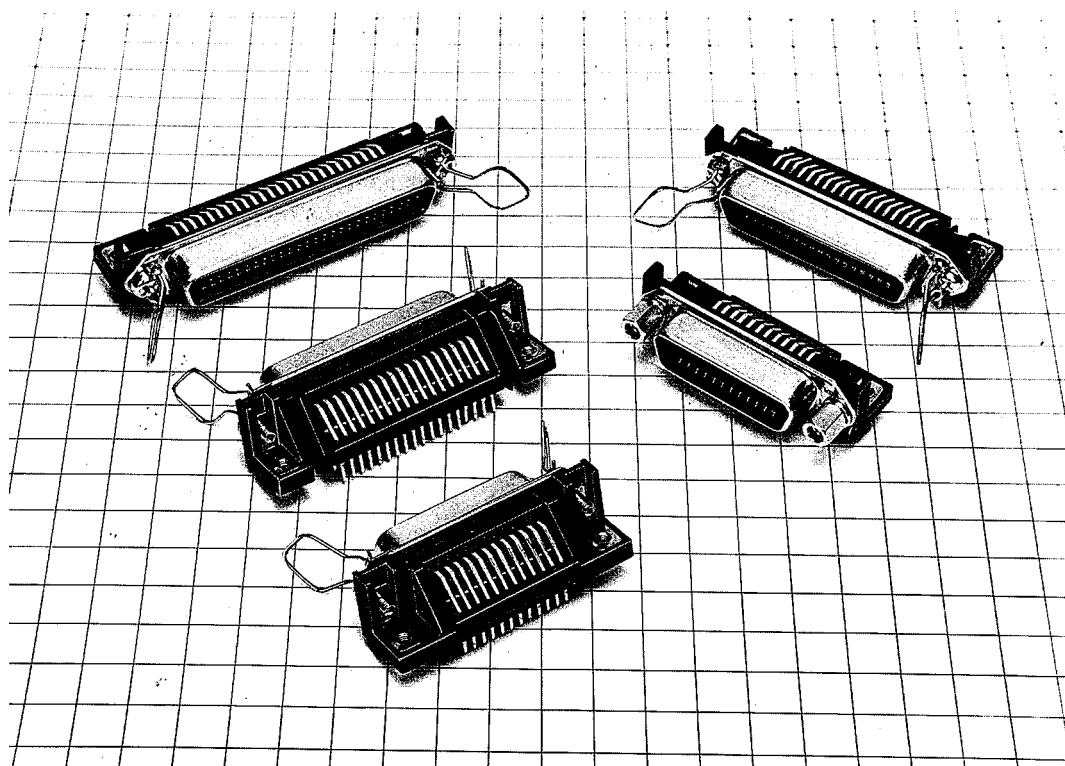
HRS No.	Part No.
902-0034-9	RC30 XXGP

RC10 (F) SERIES CONNECTORS WITH FERRITE ADDED

General

RC10(F) series connectors are an advanced design derived from the conventional RC10 series, with a

ferrite core added as protective means against EMI. These are available in 24, 36 and 50 positions.



Features

1. The added ferrite effectively attenuates conduction noise.
2. Mounting dimensions and the applicable size of circuit boards are identical to those for RC10 series

- connectors.
3. Offers the best matching for printer interfacing (conforms to Centronics specifications).

Applications

Peripheral and terminal equipment, communications equipment, printer interfacing, data handling equipment, etc.

Material and Finish

Electrical Characteristics	
Current capacity	3A
Rated voltage	AC 100V
Insulation resistance	1MΩ or higher at DC 500V
Contact resistance	35mΩ or less at DC 100mA
Withstand voltage	1 minute at AC 500Vrms

Item	Material	Finish
Shell	Brass	Nickel plating
Insulator	PBT ※	Black
Contacts	Copper Alloy	Selective gold plating over nickel

※(UL94V-0)

Ordering Informations

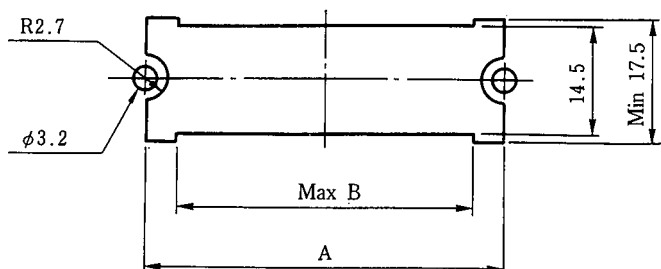
RC 10 (F) - 36 R 1 - LW
 (1) (2) (3) (4) (5) (6) (7)

● P.C. Mount type

- (1) Series name
RC: ribbon contact
- (2) Serial name
10: Right Angle Type
- (3) (F): Ferrite added
- (4) No. of Pins: 24, 36 and 50 way
- (5) Terminal opening
R: Receptacle type
- (6) PCB Mounting configuration
Blank: M3×0.5
1: Snap-Lock PCB Grounding Inlet
3: φ3.2 (.126") Hole
- (7) LW: Bail Lock
LNA: Screw Lock

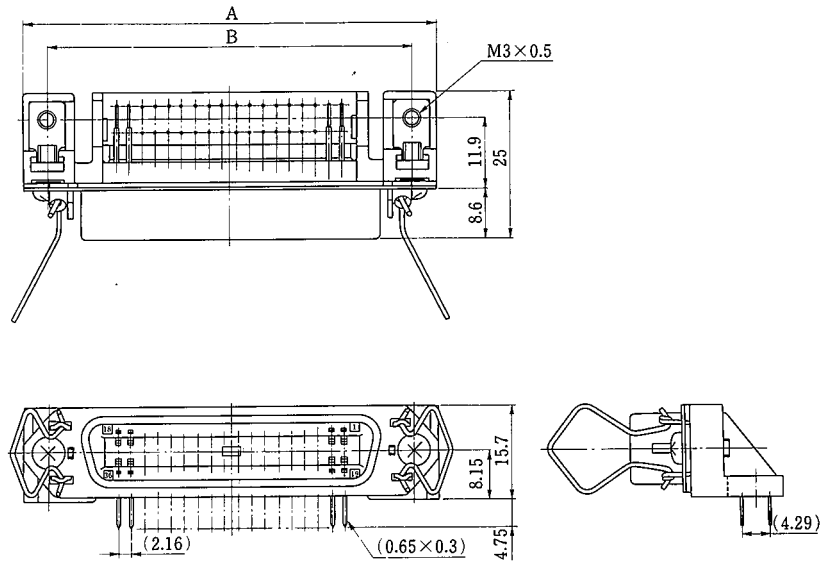
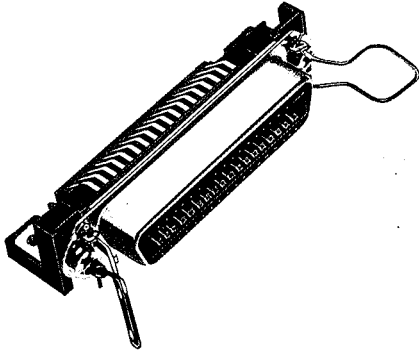
Panel Cutout

● For LW type



No. of Pin	Unit: mm	
	A	B
24	46.78	39
36	59.74	52
50	74.85	66.1

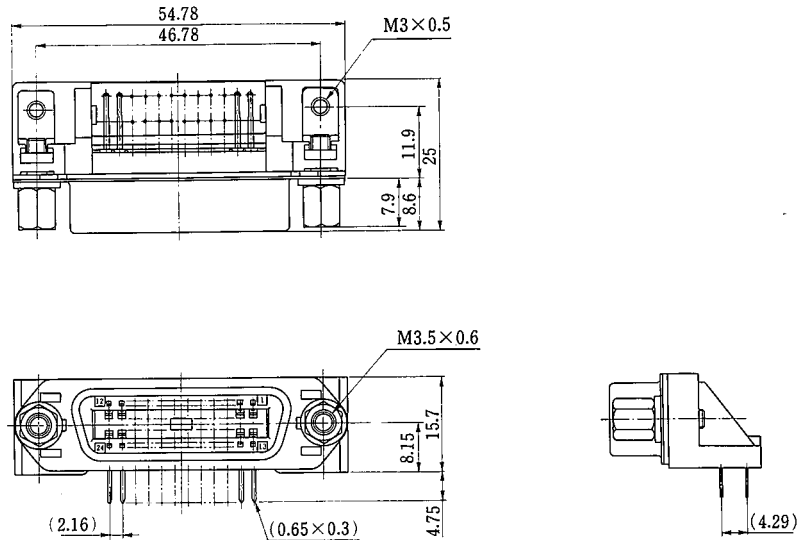
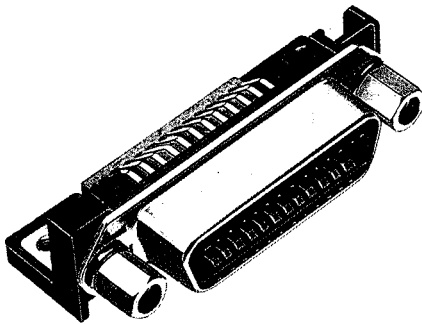
RC10(F) Type



CL215-0171-9
RC10(F)-36R-LW

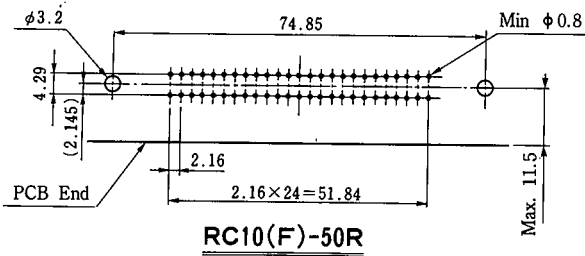
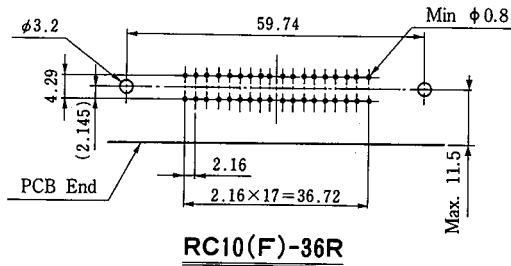
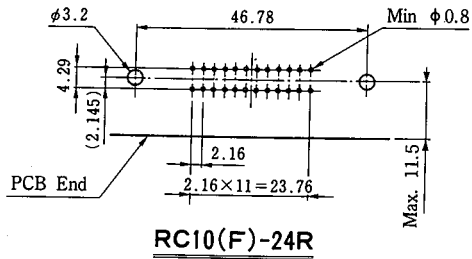
HRS.No.	No. of Pin	Part No.	A	B
CL215-0089-0	24	RC10(F)-24R-LW	54.78	46.78
CL215-0171-9	36	RC10(F)-36R-LW	67.74	59.74
CL215-0084-6	50	RC10(F)-50R-LW	82.85	74.85

Note: The figure shows a typical example of a 36-contact connector. The shape varies somewhat depending on the number of contacts.

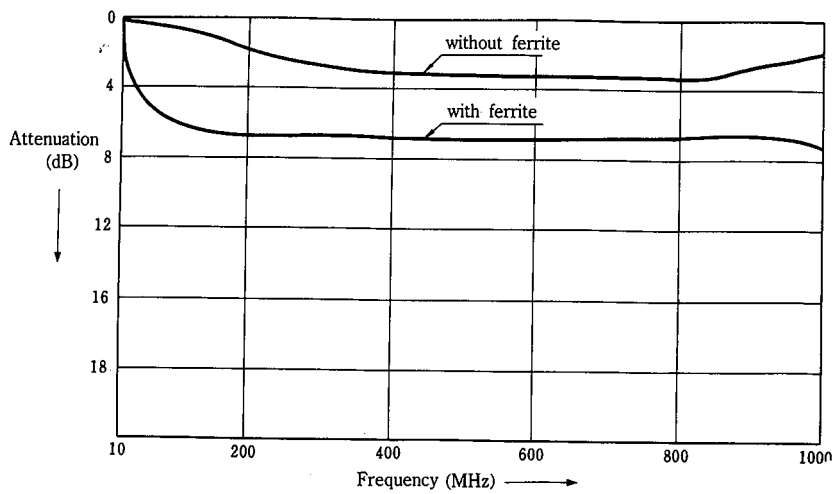


CL215-0088-7
RC10(F)-24R-LNA

● Recommended Mounting Hole Pattern (mm)



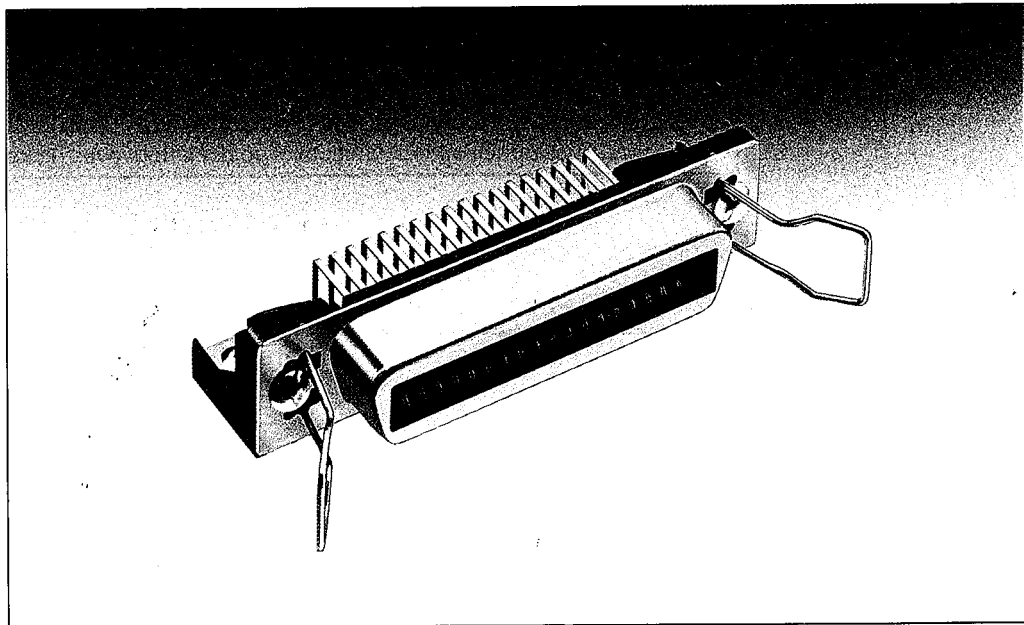
● Characteristics of Attenuation



RC10H TYPE ESD PREVENTION RIBBON CONNECTOR RIGHT ANGLE DIP VERSION

General

The RC10H connectors have been developed to provide resistance to ESD (electrostatic discharge), and are available with 36 contacts.



Features

1. Standard parallel interface mating. (Centronics type)
2. One piece molded insulator.
3. UL PBT resins in insulator offer excellent resistance to heat and chemicals.
4. Prevents malfunctions of electronic equipment and damage to elements, ICs, and LSIs from electric discharge by providing measures against ESD in addition to the conventional measures against EMI by a shielding case.

Application

Interfaces for computers, peripherals and terminals, communications equipment, and printers.

Specifications

Item	Specification
Current capacity	3A
Rated voltage	AC500V
Insulation resistance	1000M Ω or more at DC500V
Contact resistance	35M Ω or less at DC100mA
Withstanding voltage	AC1200Vr.m.s. for 1 minute

Material & Finish

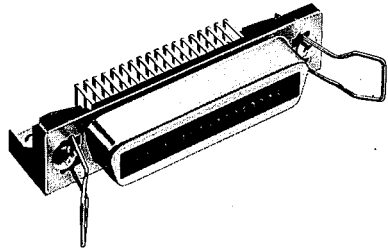
Item	Material	Finish
Shell	Steel	Nickel plating
Insulator	PBT resin	Black (UL94V-0)
Contacts	Copper alloy	Selective gold plating over nickel

Ordering Information

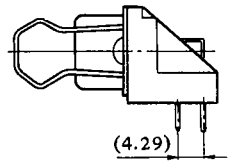
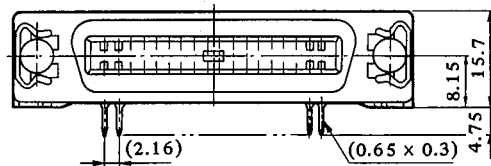
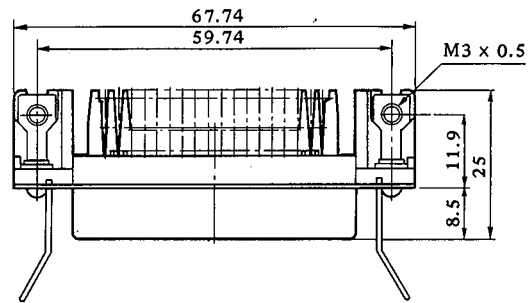
RC 10 H - 36 R 1 - LW
 (1) (2) (3) (4) (5) (6) (7)

- (1) Series name
RC: Ribbon contact series
- (2) Type
10: Right angle type
- (3) H: One piece mold type
- (4) No. of pins: 36 position
- (5) R: Receptacle type
- (6) PCB mounting configuration
Blank: M3 x 0.5
1: Snap-lock PCB
3: 3.2 (.126") Hole
- (7) LW: Bail lock

RC10H Type



CL215-0069-2
RC10H-36R-LW



PCB Layout (mm)

