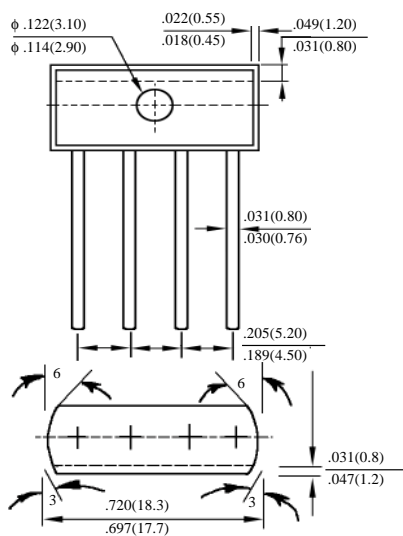


RB150 – RB159
RB150S – RB159S

1.5A RB 系列 SIP 桥式整流器

1.5A RB SERIES SIP BRIDGE RECTIFIERS

型号 TYPE	最大反向 峰值电压 Maximum Peak Reverse Voltage	最大平均 正向电流 Maximum Average Forward Output Current @T _A =60°C	最大正向 浪涌电流 Maximum Forward Peak Surge Current @ 8.3ms Superimposed	最大正向 峰值电压 Maximum DC Forward Voltage drop per element at I _F =1.5ADC	最大反向 电 流 Maximum DC Reverse Current at rated DC Blocking Voltage per element		结 温 Operating Junction Temperature	外型尺寸 Package Dimensions
	PRV	I _O	I _{FM} (Surge)	V _F	I _R		T _J	
	V _{PK}	A _{AV}	A _{PK}	V _{PK}	25°CCTA μADC	125°CCTA μADC	°C	
RB150 RB150S	50	1.5	50	1.0	10	500	140	RB SERIES
RB151 RB151S	100							
RB152 RB152S	200							
RB154 RB154S	400							
RB156 RB156S	600							
RB158 RB158S	800							
RB159 RB159S	1000							



引脚分布如下:

Pinout:



RB SERIES

RB150-RB159 RB150S-RB159S

桥式整流器额定值与特性曲线

BRIDGE RECTIFIERS RATING & CHARACTERISTIC CURVES

FIG. 1 - TYPICAL FORWARD DERATING CURVE

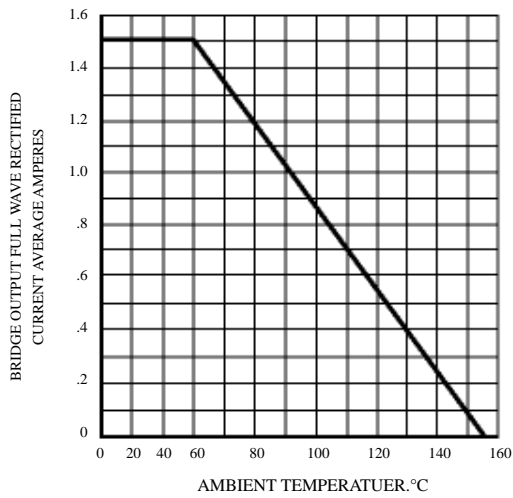


FIG. 2 - MAXIMUM FORWARD SURGE CURRENT

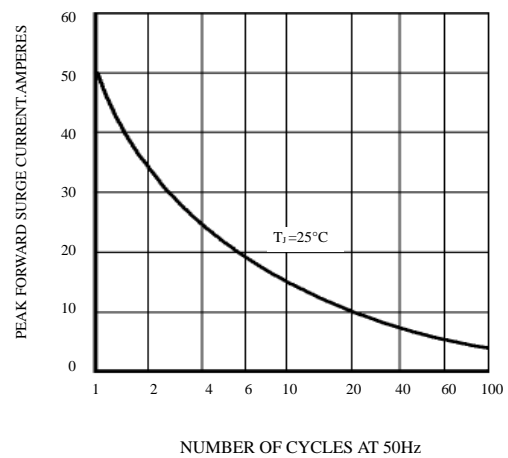


FIG. 3 - TYPICAL REVERSE CHARACTERISTICS

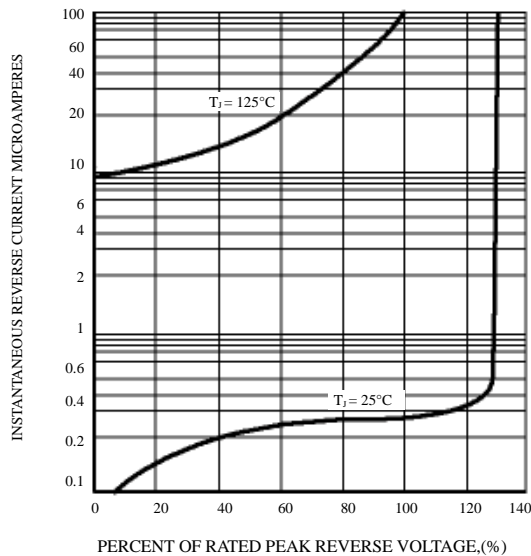


FIG. 4 - TYPICAL FORWARD CHARACTERISTICS

