

MICRO ELECTRONICS

MB15G

LED BACKLIGHT
FOR LCD DISPLAY

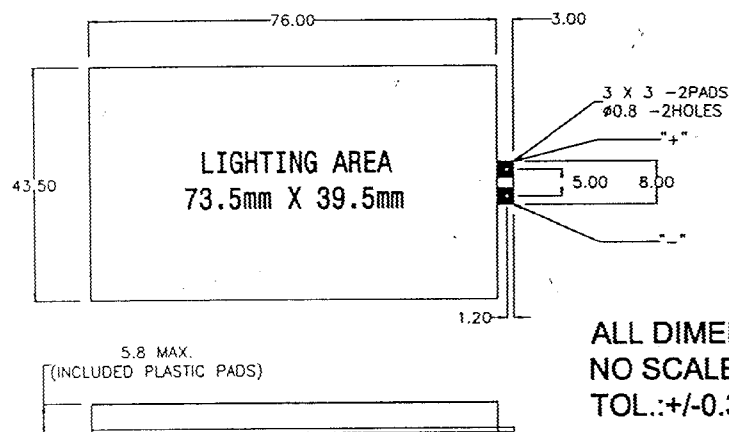
ABSOLUTE MAXIMUM RATINGS

Forward Current	I_F	660mA
Reverse Voltage	V_R	10V
Operating Temperature	T_{opr}	-20 to +70°C
Storage Temperature	T_{stg}	-30 to +80°C

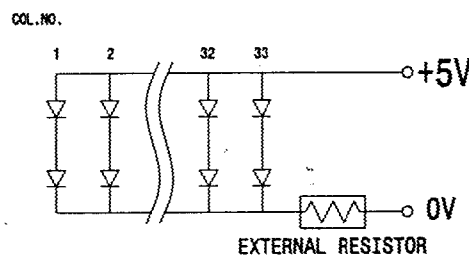
ELECTRO-OPTICAL CHARACTERISTICS (Ta=25°C)

PARAMETER	SYMBOL	MIN	TYP	MAX	UNIT	CONDITIONS
Forward Voltage	V_F	3.6	4.0	5.2	V	$I_F=330mA$
Reverse Current	I_R			330	μA	$V_R=10V$
Peak Wavelength	λ_p		565		nm	$I_F=330mA$
Spectral Line Half Width	$\Delta\lambda$		35		nm	$I_F=330mA$
Brightness	B	60			cd/m ²	$I_F=330mA$

MECHANICAL OUTLINE



CIRCUIT DIAGRAM



ALL DIMENSION IN mm
NO SCALE
TOL.: +/-0.3MM



MICRO ELECTRONICS LTD.

38, Hung To Road, Microtron Building, Kwun Tong, Kowloon, Hong Kong.

Kwun Tong P.O. Box 69477 Hong Kong. Fax No. 2341 0321 Telex: 43510 Micro Hx. Tel: 2343 0181-5

Rev A