

Preliminary DATA SHEET

DFB LASER DIODE PIGTAILED PACKAGE

DFB-1310-4X-50SMF-XXX

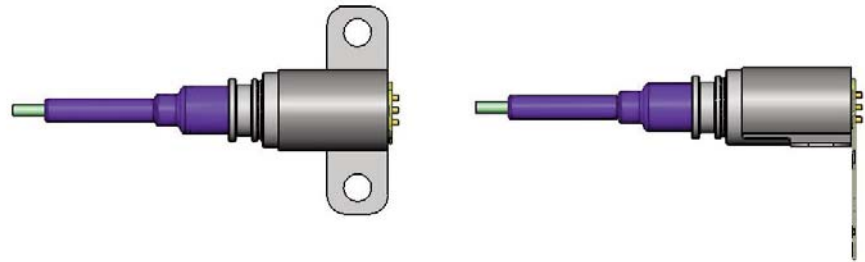
FEATURES:

- Uncooled DFB laser diode
- 10km or 30km applications
- Pigtailed package with SC or FC connectors
- Packaged with monitor photodiode
- Includes optical isolator
- Modulation speeds up to 4Gbps

APPLICATION

- Source for high-speed data-communication and telecommunication links
 - ◆ CATV, Satellite, and other analog fiber optic networks

The DFB-1310-4x-50SMF-XX are designed to meet the challenges of high speed data and telecommunications applications over distances up to 30km over single mode optical fiber. In addition, these lasers are ideal for analog applications such as CATV and other video networks. The lasers are mounted inside a metal coaxial package which is then pigtailed with a 50cm singlemode fiber and terminated with a fiber connector. The pigtail comes with a choice of either FC or SC connectors with an APC or UPC polish. The TOSA package includes a single stage optical isolator to minimize sensitivity to optical back reflections.



Part Number	Description
DFB-1310-4I-50SMF-FCUPC	10km 1310 nm DFB Laser Diode, 50cm singlemode pigtailed package, FC UPC connector.
DFB-1310-4I-50SMF-FCAPC	10km 1310 nm DFB Laser Diode, 50cm singlemode pigtailed package, FC APC connector.
DFB-1310-4I-50SMF-SCUPC	10km 1310 nm DFB Laser Diode, 50cm singlemode pigtailed package, SC UPC connector.
DFB-1310-4I-50SMF-SCAPC	10km 1310 nm DFB Laser Diode, 50cm singlemode pigtailed package, SC APC connector.
DFB-1310-4L-50SMF-FCUPC	30km 1310 nm DFB Laser Diode, 50cm singlemode pigtailed package, FC UPC connector.
DFB-1310-4L-50SMF-FCAPC	30km 1310 nm DFB Laser Diode, 50cm singlemode pigtailed package, FC APC connector.
DFB-1310-4L-50SMF-SCUPC	30km 1310 nm DFB Laser Diode, 50cm singlemode pigtailed package, SC UPC connector.
DFB-1310-4L-50SMF-SCAPC	30km 1310 nm DFB Laser Diode, 50cm singlemode pigtailed package, SC APC connector.

Other fiber lengths and connector options available on request.

ABSOLUTE MAXIMUM RATINGS

Parameter	Rating
Storage Temperature	-40°C to +85°C
Case Operating Temperature	-40°C to +85°C
Lead Solder Temperature	260°C, 10 seconds
Reverse Power Supply Voltage	5V
Peak Forward Continuous Current	100mA
ESD Exposure (Human Body Model)	200V ¹

¹Heel and wrist straps must be used on a properly grounded workstation

NOTICE: Stresses greater than those listed under “Absolute Maximum Ratings” may cause permanent damage to the device. This is a stress rating only and functional operation of the device at these or any other conditions above those indicated in the operations section for extended periods of time may affect reliability.

NOTICE: The inherent design of this component causes it to be sensitive to electrostatic discharge (ESD). To prevent ESD-induced damage and/or degradation to equipment, take normal ESD precautions when handling this product



ELECTRICAL-OPTICAL CHARACTERISTICS

Unless otherwise stated, all parameters are at $T_{CASE} = 25^{\circ}C$, $T_{RANGE, CASE} = -40$ to $85^{\circ}C$, 2.488 Gbps, PRBS 2³¹-1

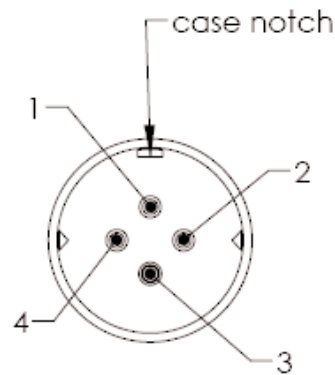
Parameter	Test Conditions	Symbol	Min.	Typ.	Max.	Units	Notes
Threshold Current	$T = 25^{\circ}C$ $T = T_{RANGE}$	I_{TH}		10	20 40	mA	
Operating Current	$T = 25^{\circ}C$ $T = T_{RANGE}$	I_{OP}		45	70	mA	1
Modulation Current	$T = 25^{\circ}C$ $T = T_{RANGE}$	I_{MOD}		25	60	mA	ER~4.5dB ER~6.5dB
Output Power	$I_F = I_{OP}$	L_{OP}		-4.0		dBm	10km option, 2
				+2.5			30km option, 2
Slope Efficiency	$T = 25^{\circ}C, SMF$	η		0.025		mW/mA	10km option
				0.1			30km option
Extinction Ratio	$T = T_{RANGE}$			6.0	9.0	dB	3
LA (wiggle)		LA			1.5	dB	4
Wavelength	$T = 25^{\circ}C$	λ	1290		1330	nm	
Spectral Width	$T = T_{RANGE}$	$\Delta\lambda$			1.0	nm, rms	
Wavelength temperature coefficient	$T = T_{RANGE}$	$\Delta\lambda/\Delta T$			0.1	nm/ $^{\circ}C$	
Side Mode Suppression	$T = T_{RANGE}$	SMSR	30			dB	
Relative Intensity Noise	$I = I_{OP}, 20dB ORL,$ $0.1 < F < 5.5GHz$	RIN_{20}			-120	dB/Hz	5
Modulation Bandwidth	$I = I_{OP}, T = T_{RANGE}$ $I = I_{OP}, T = 25^{\circ}C$	$S_{21,3dB}$	4	6		GHz	
Rise / Fall Time		T_r			90	ps	6
		T_f			90		
Forward Voltage	$I = I_{OP}, T = T_{RANGE}$	V_f	1		1.3	V	
Laser Resistance	$I = I_{OP}, T = T_{RANGE}$	R_L	2	5	12	Ohms	7
Monitor Current	$T = 25^{\circ}C, I = I_{OP},$ $V_B = -2.5V$	I_{MON}	80		800	μA	
Tracking Error	$T = T_{RANGE}$	TE	-1.25		1.25	dB	8
Monitor Dark Current	$T = T_{RANGE}, V_B = -2.5V$	I_D			100	nA	
Monitor Diode Capacitance	$V_B = -2.5V$	C_{MON}			10	pF	
Optical Return Loss		ORL	12			dB	

Notes:

- Operating current is the average bias current required to meet the ER, rise/fall, and bandwidth specifications. The target operating condition is 35 mA over threshold at high temperature, 30mA over threshold at RT.
- Other output power range is possible per customer request.
- TOSA would be capable of meeting other specifications when modulated over this ER range.
- Maximum change in power as fiber is rotated by 360°.
- Measured with an optical receiver with a 3.125 Gb/s filter
- Rise and fall times are measured 20-80%
- Resistance is measured between $I_{TH} + 10mA$ and $I_{TH} + 20mA$
- Tracking error is defined as the coupled power difference at T_{max} or T_{min} (relative to $25^{\circ}C$) where the back monitor current, I_{mon} , is held constant at the value found at $25^{\circ}C$ at $I = I_{op}$.

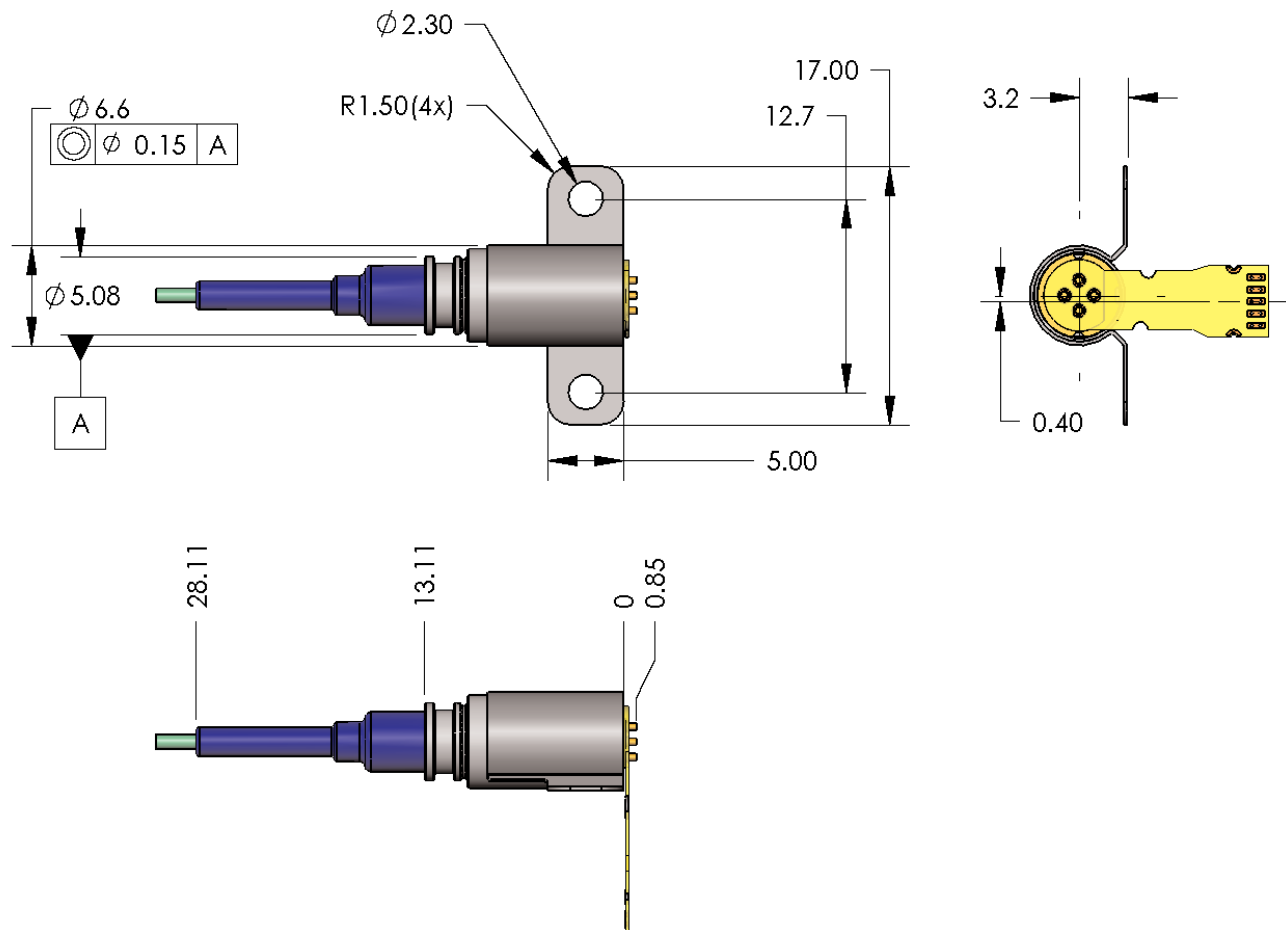
PIN OUT

Number	Function
1	Case
2	LD Cathode
3	PD Anode
4	LD Anode / PD Cathode



MOUNTING DIMENSIONS

(for reference only): Dimensions in millimeters



ADVANCED OPTICAL COMPONENTS

Finisar's ADVANCED OPTICAL COMPONENTS division was formed through strategic acquisition of key optical component suppliers. The company has led the industry in high volume Vertical Cavity Surface Emitting Laser (VCSEL) and associated detector technology since 1996. VCSELs have become the primary laser source for optical data communication, and are rapidly expanding into a wide variety of sensor applications. VCSELs' superior reliability, low drive current, high coupled power, narrow and circularly symmetric beam and versatile packaging options (including arrays) are enabling solutions not possible with other optical technologies. ADVANCED OPTICAL COMPONENTS is also a key supplier of Fabrey-Perot (FP) and Distributed Feedback (DFB) Lasers, and Optical Isolators (OI) for use in single mode fiber data and telecommunications networks

LOCATION

- Allen, TX - Business unit headquarters, VCSEL wafer growth, wafer fabrication and TO package assembly.
- Fremont, CA – Wafer growth and fabrication of 1310 to 1550nm FP and DFB lasers.
- Shanghai, PRC – Optical passives assembly, including optical isolators and splitters.

SALES AND SERVICE

Finisar's ADVANCED OPTICAL COMPONENTS division serves its customers through a worldwide network of sales offices and distributors. For application assistance, current specifications, pricing or name of the nearest Authorized Distributor, contact a nearby sales office or call the number listed below.

Finisar
Advanced Optical Components Division

Phone: 1-866-MY-VCSEL USA (toll free)
1-214-509-2700 USA (Direct dial)
44 (0) 174 336 5533 Europe
886-935-409898 China & Taiwan
81-90-4437-1130 Japan
82-11-220-6153 Asia Pacific & Korea

Fax: 1-214-509-3709 USA

Email: salesAOCD@finisar.com
WEB: www.finisar.com/aoc.php

AOC CAPABILITIES

ADVANCED OPTICAL COMPONENTS' advanced capabilities include:

- 1, 2, 4, 8, and 10Gbps serial VCSEL solutions
- 1, 2, 4, 8, and 10Gbps serial SW DETECTOR solutions
- VCSEL and detector arrays
- 1, 2, 4, 8, and 10Gbps FP and DFB solutions at 1310 and 1550nm
- 1, 2, 4, 8, and 10Gbps serial LW DETECTOR solutions
- Optical Isolators from 1260 to 1600nm range
- Laser packaging in TO46, TO56, and Optical subassemblies with SC, LC, and MU interfaces for communication networks
- VCSELs operating at 670nm, 780nm, 980nm, and 1310nm in development
- Sensor packages include surface mount, various plastics, chip on board, chip scale packages, etc.
- Custom packaging options