

NAIS

COMPACT CONNECTOR TERMINAL FOR REDUCED WIRING

CT-2 CONNECTOR TERMINAL

FEATURES

- **One-touch wiring with the various controller types greatly reduces the time required for wiring operations.**
- **Compact space-saving design**
Design and dimensions match those for the RT-2 relay terminal.
- **Wide variation of pole: 20, 30, 34 and 40 poles**
- **Available in pressure connector connect type and wire-direct connect type**
The direct connect type is a compact 62 × 52 mm 2.441 × 2.047 inch (20P type).
- **Exclusive cables can be provided**
- **Integrated AXM connector (complying to MIL Standard, Long lever type)**

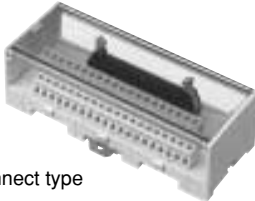
TYPICAL APPLICATIONS

I/O interface for PLCs, personal computers and various types of controllers.

Pressure connector connect type



Wire-direct connect type



ORDERING INFORMATION

Ex. CT2 — M — C — 20

Installation type	Termination type	No. of poles
Blank: DIN rail mounting type	Blank: Pressure connector connect type	20: 20 poles
M: Direct mounting type	C: Wire-direct connect type	30: 30 poles
		34: 34 poles
		40: 40 poles

TYPES

1. DIN rail mounting type

Connection method	No. of poles	Part No.	Packing quantity	
			Inner carton	Outer carton
Pressure connector connect type	20	CT2-20	1 pc.	20 pcs.
	30	CT2-30		
	34	CT2-34		
	40	CT2-40		
Wire-direct connect type	20	CT2-C-20	1 pc.	20 pcs.
	30	CT2-C-30		
	34	CT2-C-34		
	40	CT2-C-40		

2. Direct mounting type

Connection method	No. of poles	Part No.	Packing quantity	
			Inner carton	Outer carton
Pressure connector connect type	20	CT2-M-20	1 pc.	20 pcs.
	30	CT2-M-30		
	34	CT2-M-34		
	40	CT2-M-40		
Wire-direct connect type	20	CT2-MC-20	1 pc.	20 pcs.
	30	CT2-MC-30		
	34	CT2-MC-34		
	40	CT2-MC-40		

SPECIFICATIONS

Rated voltage	125 V AC
Rated current	1 A
Breakdown voltage	250 Vrms for in min.
Insulation resistance	100 MΩ (at 500 V DC megger)
Fasten torque	Pressure connector connect type: 0.3 to 0.5 N·m {3 to 5 kgf·cm} Wire-direct connect type: 0.2 to 0.4 N·m {2 to 4 kgf·cm}
Ambient temperature	0°C to +55°C +32°F to +131°F

CONNECTOR

- Applicable connector (socket)

Product name	No. of poles	Part No.
MIL type AXM Flat Cable Connector	20	AXM120415
	30	AXM130415
	34	AXM134415
	40	AXM140415

- Applicable flat cable

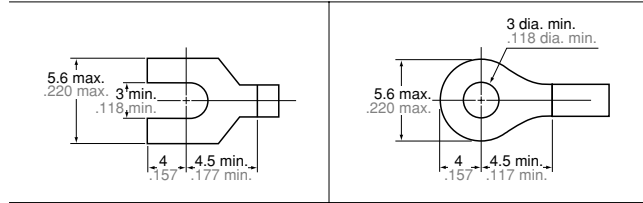
Standard wire: standard pitch (1.27 mm 0.050 inch)/
conductor #28 (7 wire/0.127 dia.)

TERMINAL BLOCK

1. Pressure connector connect type

- Applicable electrical wire
0.25 to 1.65 mm² .01 to .065 inch
- Applicable wire-pressed terminals

mm inch



2. Wire-direct connect type

When wiring screw-clamped terminal blocks, strip the lead wires and connect them properly.

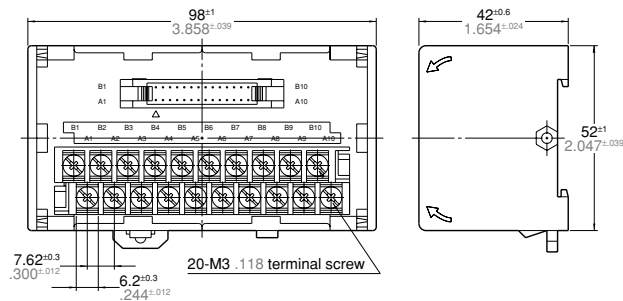
Stripping length	Recommended wire
8 to 10 mm .315 to .394 inch	<ul style="list-style-type: none"> • 0.128 to 1.318 mm .005 to 0.52 inch • 0.4 to 1.3 mm dia. .016 to .051 inch dia.

DIMENSIONS

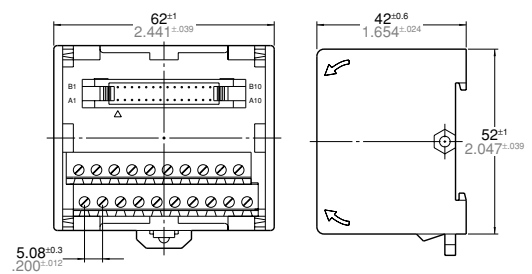
mm inch

1. DIN rail mounting type

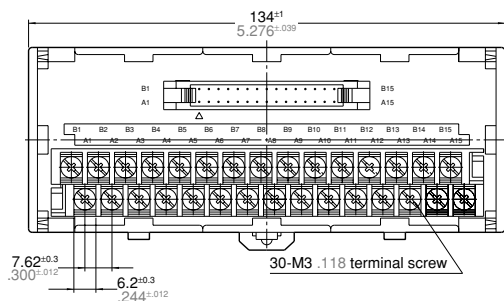
Pressure connector connect type (20 poles)



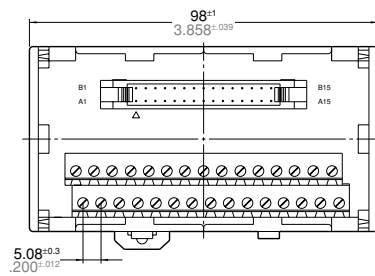
Wire-direct connect type 20 poles



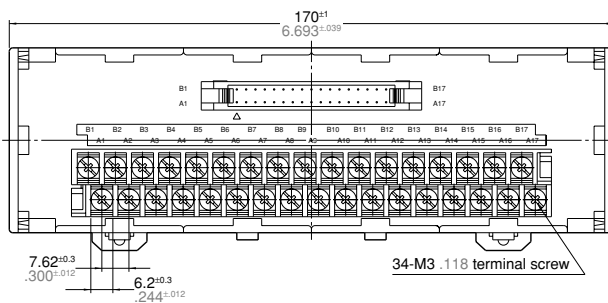
Pressure connector connect type (30 poles)



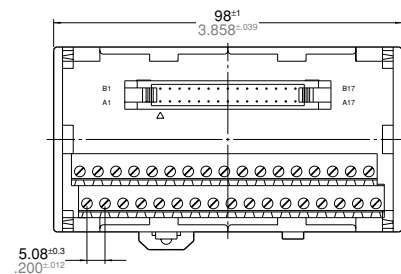
Wire-direct connect type (30 poles)



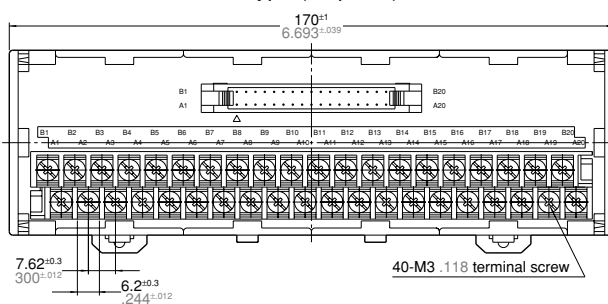
Pressure connector connect type (34 poles)



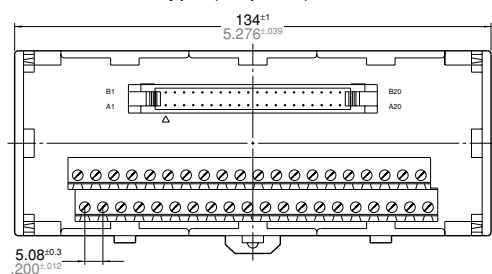
Wire-direct connect type 34 poles



Pressure connector connect type (40 poles)



Wire-direct connect type (40 poles)

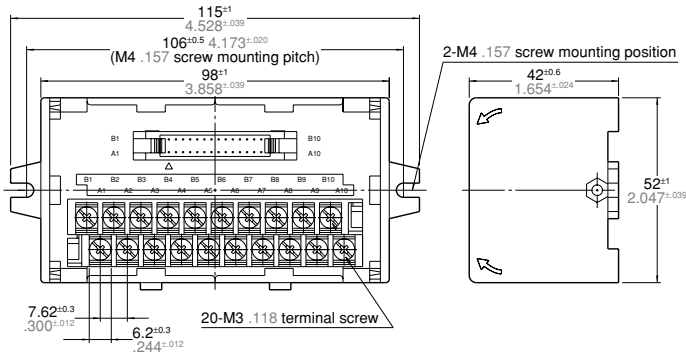


CT-2

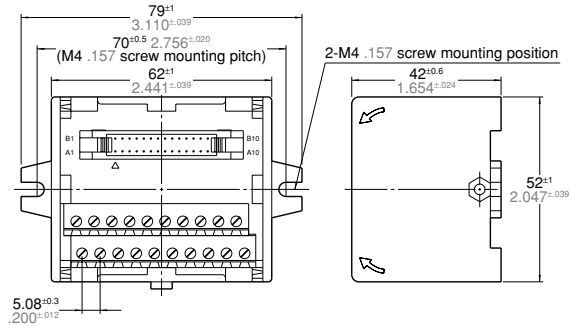
2. Direct mounting type

mm inch

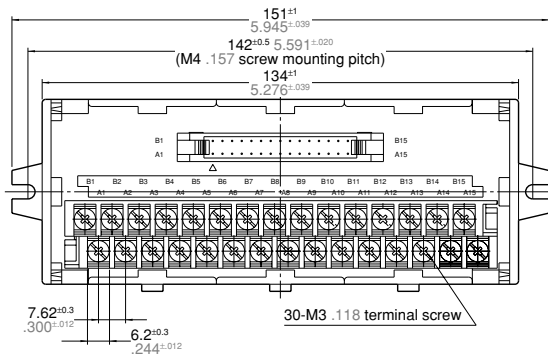
Pressure connector connect type (20 poles)



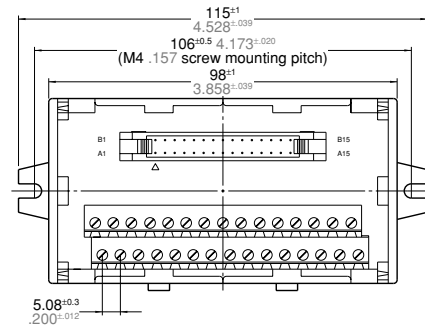
Wire-direct connect type 20 poles



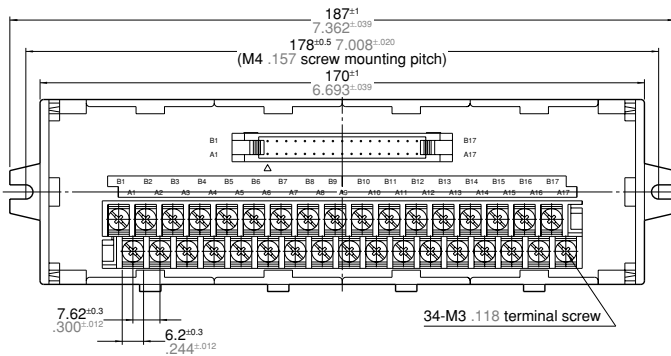
Pressure connector connect type (30 poles)



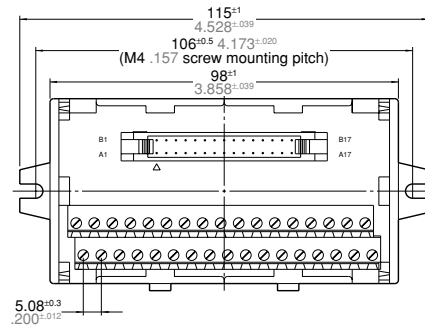
Wire-direct connect type (30 poles)



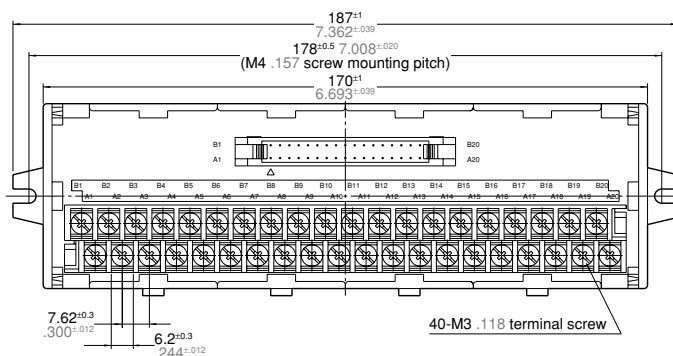
Pressure connector connect type (34 poles)



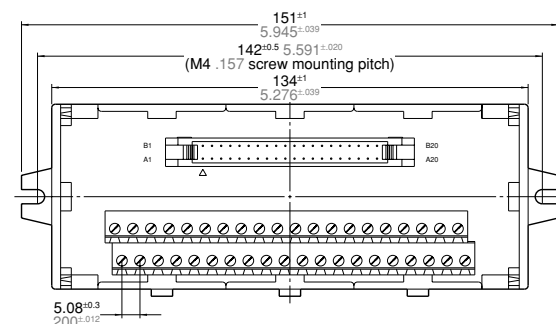
Wire-direct connect type 34 poles



Pressure connector connect type (40 poles)

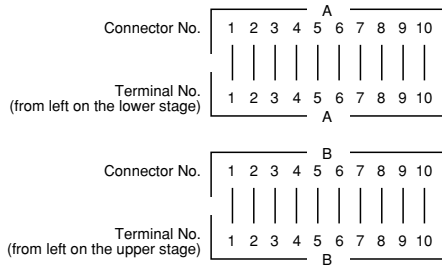


Wire-direct connect type (40 poles)

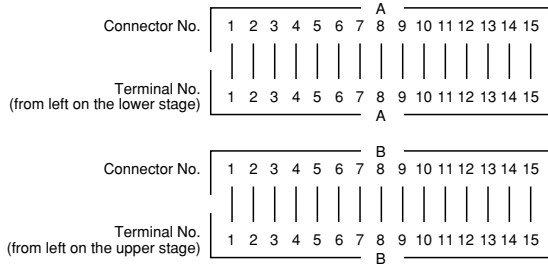


SCHEMATIC (Top View)

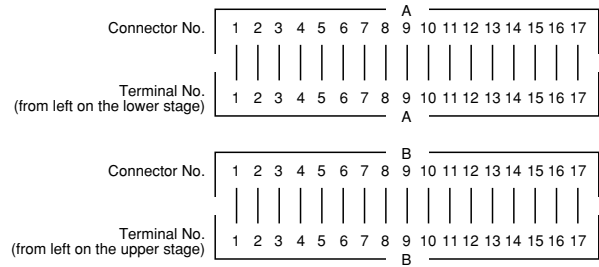
20 poles



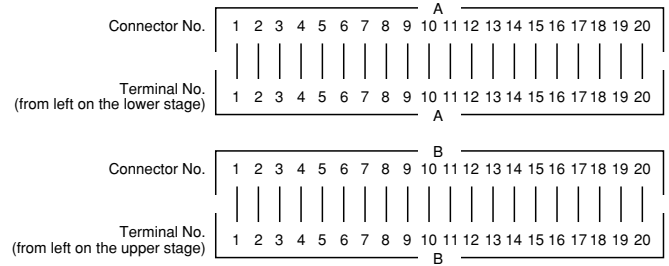
30 poles



34 poles



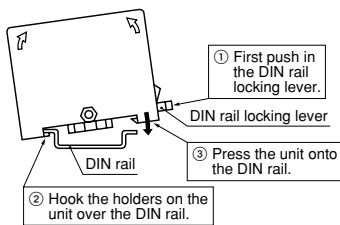
40 poles



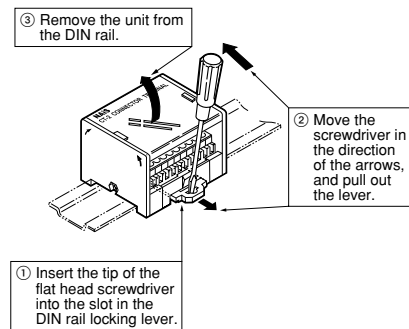
CAUTIONS FOR USE

1. Installation

- 1) Perform mounting hole cutout according to the panel cutout drawings.
- 2) When installing the unit on a DIN rail, use the DIN rail locking lever on the side of the unit. Installation is accomplished by simply fitting the unit onto the rail and pressing gently.



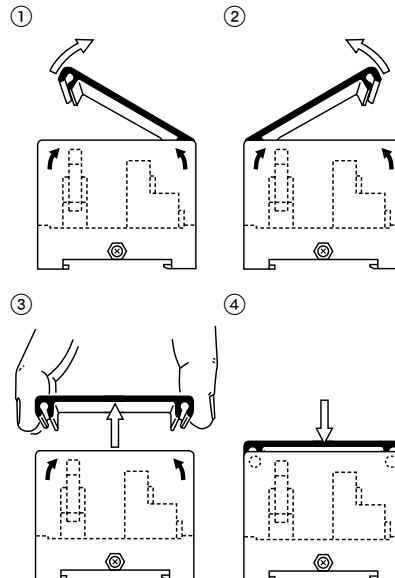
- 3) To remove the unit from the DIN rail, use a flat head screwdriver to pull out the DIN rail locking lever.



- 4) Be careful not to drop or shock the unit. Excessive shock such as dropping may cause damage or malfunction.

2. Removal of cover

- 1) Insertions and withdraws of connector can be done by lifting the cover like ①.
- 2) Wiring to the terminal can be done by lifting the cover like ②.
- 3) Removal of the cover can be done by lifting it like ③.
- 4) In case of resetting the cover, please push the cover like ④.



3. Wiring and circuit configuration

- 1) Make all connections according to the schematic.
- 2) When wiring power lines or power cables, twisted pair treatment (standed wire treatment) should be done in order to improve noise resistance.

- 3) In order to improve noise resistance, class 3 grounding of the control panel is recommended.

- 4) Turn off the power before connecting/disconnecting connector cables.

4. Operating environment

- 1) Use the product at ambient operating temperature between 0°C and 55°C 32°F and 131°F.
- 2) The main unit is made of resin; therefore, do not use it in areas where it may come in contact with (or be exposed to) organic solvents such as benzine, thinner, and alcohol or strong alkaline substances such as ammonia and caustic soda.
- 3) Do not use the product in areas where it may be exposed to flammable gases, corrosive gases, excessive dust, or moisture, or areas where it may be subjected to strong vibration or shock.

5. Transporting and storage

- 1) If the product is subjected to extreme vibration while being transported, the relays may become detached, the lead may become bent, and the unit may become damaged. Handle the inner and outer boxes with care.
- 2) If the product is stored in an extremely adverse environment, visible defects and deterioration of performance characteristics may result. We recommend the following storage conditions.

- Temperature: 5 to 30°C 41 to 86° F
- Humidity: Max. 60% R.H.
- Environment: No hazardous substances such as sulfurous acid gases and little dust.