

# Dialight

## MCD18 SERIES 350MA OUTPUT



Converter meets CE standards  
Approval by UL as a Class 2 recognized component pending  
EMV & VDE pending  
Complies to FCC Class B / EN 55015

### FEATURES / BENEFITS

- ▲ Small size - Light weight
- ▲ Drives from 4 to 12 LEDs at 350mA
- ▲ Short circuit & overload protected
- ▲ Potted for moisture resistance
- ▲ Universal (85-265V) input voltage

### OPERATING CONDITIONS

- ▲ Maximum ambient temperature = 50°C
- ▲ Maximum case temperature = 90°C
- ▲ Voltage in = 100-265 VAC
- ▲ Output current = 350mA +/- 10%
- ▲ Output voltage = 12-58V
- ▲ Power Consumption = 5-18W

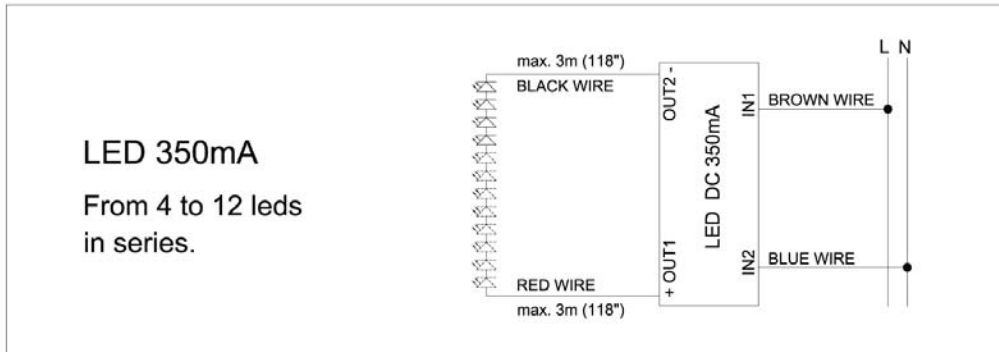
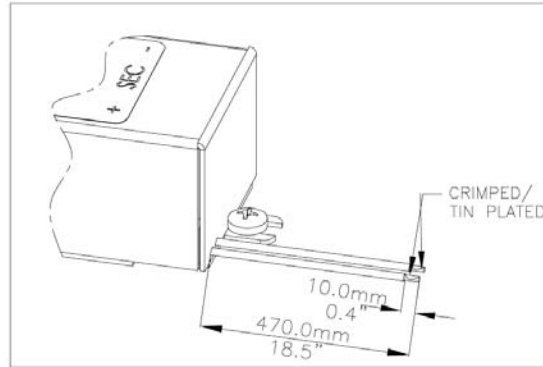
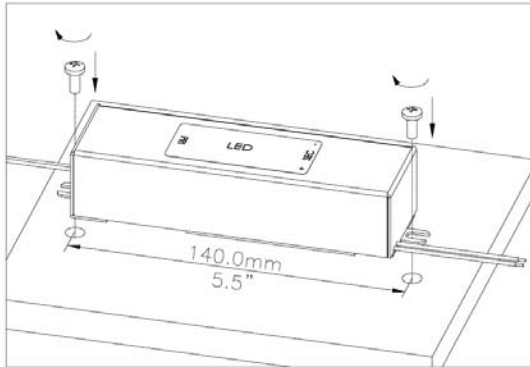
### ELECTRICAL SPECIFICATIONS

- ▲ Efficiency 79%
- ▲ Complies to FCC Class B / EN 55015, EN 61000-3-2, IEC61000-4-2, IEC61000-4-3, IEC61000-4-4, IEC61000-4-5, IEC61000-4-6, IEC61000-4-11, EN 61547 / 61047, EN 61347-2-2

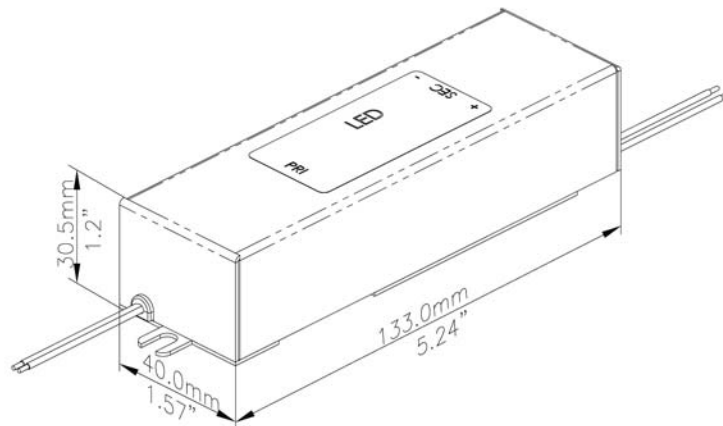
### PART NUMBERS

Part Number	Version	Mechanical Dimensions	Weight
MCDE18-350-P	European	30.5mm x 40mm x 133mm	300 grams
MCDU18-350-P	Universal / USA	1.2" x 1.57" x 5.24"	10.58 oz

### WIRING INFORMATION



### MECHANICAL DIMENSIONS



Dialight reserves the right to make changes at any time in order to supply the best product possible.

The most current version of this document will always be available at:

[www.dialight.com/Assets/Brochures\\_And\\_Catalogs/Illumination/MDEXLUMMCD18350.pdf](http://www.dialight.com/Assets/Brochures_And_Catalogs/Illumination/MDEXLUMMCD18350.pdf)

MDEXLUMMCD18350\_A