

SMD POWER INDUCTOR



P10DR53 SERIES

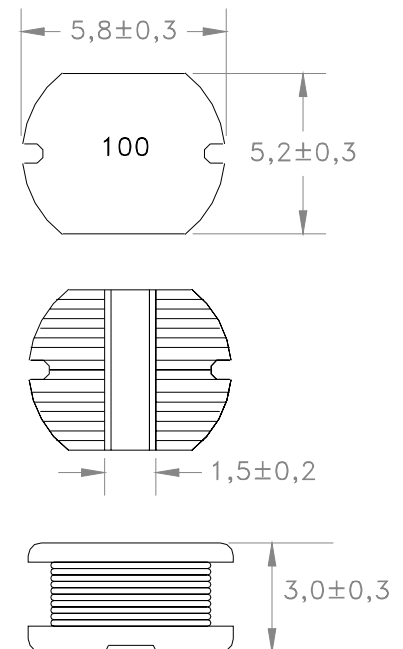


- RoHS Compliant Product
- Inductance measured : $< 100\mu\text{H}$: 100KHz, $0.25V_{\text{RMS}}$
- Inductance measured : $\geq 100\mu\text{H}$: 1KHz, $0.25V_{\text{RMS}}$
- Inductance Tolerance: J= $\pm 5\%$, K= $\pm 10\%$, L= $15\pm\%$, M= $\pm 20\%$
Add suffix letter for tolerance after the part number
- I_{RATED} : Max 10% inductance drop and $\Delta T=40^{\circ}\text{C}$ Temp Rise
- Operating Temperature: -40°C to $+85^{\circ}\text{C}$

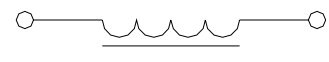
ELECTRICAL SPECIFICATION @ 25°C

PART NO	L $\pm 20\%$ (μH)	DCR Max ($\text{m}\Omega$)	RATED I_{DC} (A)
P10DR53-			
1R0	1.0	30	4.5
1R2	1.2	30	4.2
1R5	1.5	30	4.1
1R8M	1.8	30	3.7
2R2	2.2	30	3.5
2R7	2.7	40	3.2
3R3	3.3	50	2.8
3R9	3.9	60	2.6
4R7	4.7	70	2.5
5R6	5.6	80	2.4
6R8	6.8	90	2.2
8R2	8.2	100	2.0
	$\pm 10\%$		
100	10	120	1.8
120	12	130	1.8
150	15	150	1.7
180	18	180	1.6
220	22	220	1.5
270	27	240	1.4
330	33	300	1.1
390	39	400	1.00
470	47	430	0.90
560	56	500	0.85
680	68	600	0.80
820	82	800	0.65
101	100	900	0.60
121	120	1000	0.58
151	150	1300	0.43
181	180	1500	0.41
221	220	2000	0.38
271	270	2500	0.35
331	330	3200	0.28
391	390	3500	0.26
471	470	4200	0.20
561	560	4500	0.19
681	680	6000	0.18
821	820	6500	0.15
102	1000	8000	0.13

Mechanical



Schematic



Dimensions

Unless otherwise specified, all tolerances are:
 inch: .XX : ± 0.015 .XXX : ± 0.004
 mm: X,X : $\pm 0,38$ X,XX : $\pm 0,10$

Product performance is limited to specified parameter. Data is subject to change without prior notice.

P10DR53-XX
0602JW

2463 208th, Ste. 205
Torrance, CA 90501

Phone: (310)533-1455
Fax: (310)533-1853

<http://www.mpsind.com>
Email: sales@mpsind.com