

SMD POWER INDUCTOR



P10DR52 SERIES

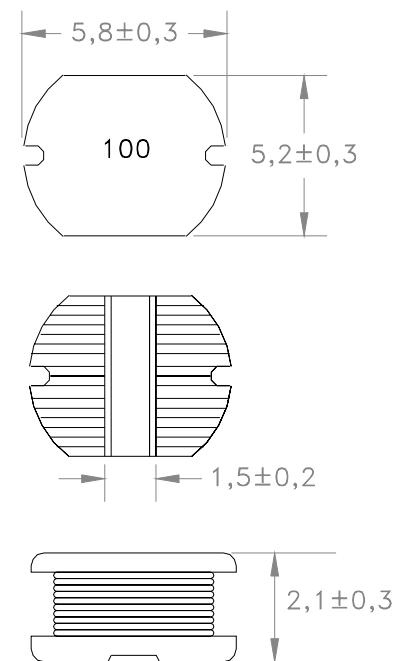


- RoHS Compliant Product
- Inductance measured : $< 100\mu\text{H}$: 100KHz, $0.25V_{\text{RMS}}$
- Inductance measured : $\geq 100\mu\text{H}$: 1KHz, $0.25V_{\text{RMS}}$
- Inductance Tolerance: J= $\pm 5\%$, K= $\pm 10\%$, L= $15\pm\%$, M= $\pm 20\%$
Add suffix letter for tolerance after the part number
- I_{RATED} : Max 10% inductance drop and $\Delta T=40^\circ\text{C}$ Temp Rise
- Operating Temperature: -40°C to $+85^\circ\text{C}$

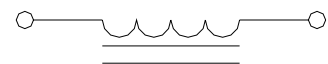
ELECTRICAL SPECIFICATION @ 25°C

PART NO	L $\pm 20\%$ (μH)	DCR Max ($\text{m}\Omega$)	RATED I_{dc} (A)
P10DR52-			
2R2	2.2	70	3.50
2R7	2.7	80	3.20
5R6	5.6	150	1.80
6R8	6.8	160	1.50
8R2	8.2	170	1.40
	$\pm 10\%$		
100	10	200	1.30
120	12	230	1.10
150	15	250	1.05
180	18	300	1.00
220	22	350	0.90
270	27	400	0.85
330	33	500	0.75
390	39	550	0.70
470	47	650	0.60
560	56	750	0.55
680	68	950	0.50
820	82	1200	0.45
101	100	1400	0.40
121	120	1750	0.35
151	150	2000	0.25
181	180	2600	0.22
221	220	3000	0.20
271	270	3700	0.18

Mechanical



Schematic



Dimensions

Unless otherwise specified, all tolerances are:
 inch: .XX : ± 0.015 .XXX : ± 0.004
 mm: X,X : $\pm 0,38$ X,XX : $\pm 0,10$

P10DR52-XX
0602JW

Product performance is limited to specified parameter. Data is subject to change without prior notice.

2463 208th, Ste. 205
Torrance, CA 90501

Phone: (310)533-1455
Fax: (310)533-1853

<http://www.mpsind.com>
Email: sales@mpsind.com