

SMD POWER INDUCTOR



P10DR43 SERIES

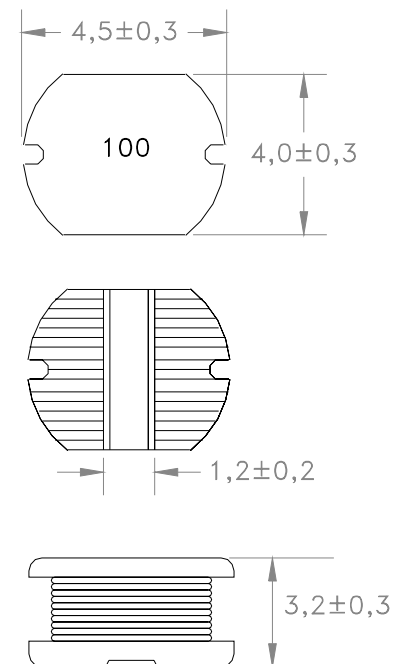


- RoHS Compliant Product
- Inductance measured : $< 100\mu\text{H}$: 100KHz, $0.25V_{\text{RMS}}$
- Inductance measured : $\geq 100\mu\text{H}$: 1KHz, $0.25V_{\text{RMS}}$
- Inductance Tolerance: J= $\pm 5\%$, K= $\pm 10\%$, L= $15\pm\%$, M= $\pm 20\%$
Add suffix letter for tolerance after the part number
- I_{RATED} : Max 10% inductance drop and $\Delta T=40^{\circ}\text{C}$ Temp Rise
- Operating Temperature: -40°C to $+85^{\circ}\text{C}$

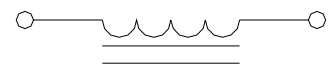
ELECTRICAL SPECIFICATION @ 25°C

PART NO	L $\pm 20\%$ (μH)	DCR Max ($\text{m}\Omega$)	RATED I_{DC} (A)
P10DR43-			
1R0	1.0	33	3.80
1R4	1.4	38	3.30
1R8	1.8	42	2.91
2R2	2.2	47	2.60
2R7	2.7	52	2.43
3R3	3.3	58	2.15
3R9	3.9	76	1.98
4R7	4.7	94	1.70
5R6	5.6	101	1.60
6R8	6.8	117	1.40
8R2	8.2	132	1.26
	$\pm 10\%$		
100	10	182	1.15
120	12	210	1.05
150	15	235	0.92
180	18	338	0.84
220	22	378	0.76
270	27	522	0.71
330	33	540	0.64
390	39	587	0.59
470	47	844	0.54
560	56	937	0.50
680	68	1170	0.48
820	82	1200	0.46
101	100	1520	0.44
121	120	1800	0.43
151	150	2000	0.42
181	180	3200	0.38
221	220	3400	0.36
271	270	3900	0.34
331	330	5300	0.28
391	390	5900	0.24
471	470	6800	0.21
561	560	8500	0.20
681	680	10000	0.18
821	820	13400	0.15
102	1000	15600	0.14
152	1500	20000	0.05
172	1700	22000	0.04

Mechanical



Schematic



Dimensions

Unless otherwise specified, all tolerances are:
 inch: .XX : ± 0.015 .XXX : ± 0.004
 mm: X,X : $\pm 0,38$ X,XX : $\pm 0,10$

Product performance is limited to specified parameter. Data is subject to change without prior notice.

P10DR43-XX
0602JW

2463 208th, Ste. 205
Torrance, CA 90501

Phone: (310)533-1455
Fax: (310)533-1853

<http://www.mpsind.com>
Email: sales@mpsind.com