

SMD POWER INDUCTOR



P10DR105 SERIES

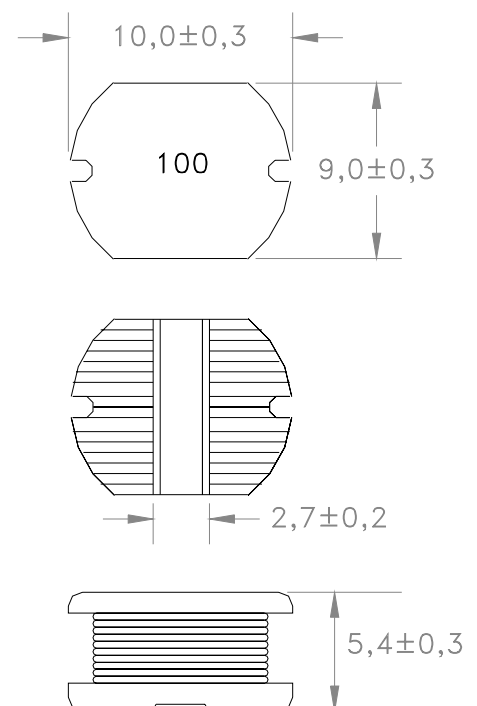


- RoHS Compliant Product
- Inductance measured : $< 100\mu\text{H}$: 100KHz, $0.25V_{\text{RMS}}$
- Inductance measured : $\geq 100\mu\text{H}$: 1KHz, $0.25V_{\text{RMS}}$
- Inductance Tolerance: J= $\pm 5\%$, K= $\pm 10\%$, L= $15\pm\%$, M= $\pm 20\%$
Add suffix letter for tolerance after the part number
- I_{RATED} : Max 10% inductance drop and $\Delta T=40^{\circ}\text{C}$ Temp Rise
- Operating Temperature: -40°C to $+85^{\circ}\text{C}$

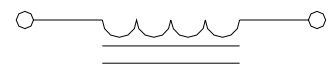
ELECTRICAL SPECIFICATION @ 25°C

PART NO	L $\pm 20\%$ (μH)	DCR Max ($\text{m}\Omega$)	RATED I_{DC} (A)
P10DR105-			
1R2	1.2	8	10.50
1R5	1.5	10	9.50
2R2	2.2	13	8.50
3R3	3.3	15	7.50
3R9	3.9	18	6.80
4R7	4.7	20	6.00
5R6	5.6	25	5.00
6R8	6.8	30	4.20
8R2	8.2	50	3.50
100	10	60	2.60
120	12	70	2.45
150	15	80	2.27
180	18	90	2.15
220	22	100	1.95
270	27	110	1.76
330	33	120	1.50
390	39	140	1.37
470	47	170	1.28
	$\pm 10\%$		
560	56	190	1.17
680	68	220	1.11
820	82	250	1.00
101	100	350	0.97
121	120	400	0.89
151	150	470	0.78
181	180	630	0.72
221	220	730	0.66
271	270	970	0.57
331	330	1150	0.52
391	390	1300	0.48
471	470	1480	0.42
561	560	1900	0.33
681	680	2250	0.28
821	820	2550	0.24
102	1000	2700	0.20

Mechanical



Schematic



Dimensions

Unless otherwise specified, all tolerances are:
 inch: .XX : ± 0.015 .XXX : ± 0.004
 mm: X,X : $\pm 0,38$ X,XX : $\pm 0,10$

P10DR105-XX
0603JW

Product performance is limited to specified parameter. Data is subject to change without prior notice.

2463 208th, Ste. 205
Torrance, CA 90501

Phone: (310)533-1455
Fax: (310)533-1853

<http://www.mpsind.com>
Email: sales@mpsind.com